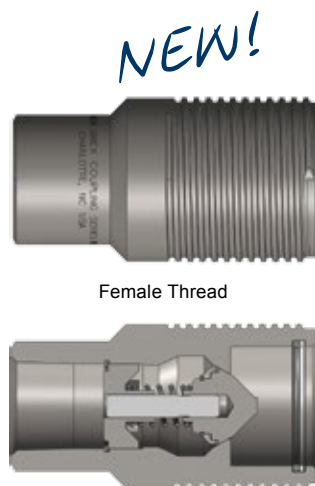


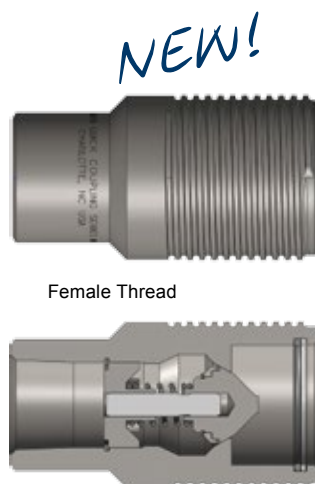
### WS-Series High Pressure - Wingstyle Interchange Nipple



Size (inch)	Part No.		Thread Size (inch)	Body Material	Weight (kg)	Pkg Qty	Price \$ (ea)
3/4	WS6F4	i	1/2 - 14 NPTF	Steel	0.56	5	147.20
3/4	WS6F6		3/4 - 14 NPTF	Steel	0.54	5	119.13
3/4	WS6F6-SS	i	3/4 - 14 NPTF	316 SS	0.54	5	505.00
3/4	WS6BF6	i	3/4 - 14 BSPP	Steel	0.54	5	140.00
3/4	WS6BF6-SS		3/4 - 14 BSPP	316 SS	0.54	5	194.90
3/4	WS6OF6	i	1 1/16 - 12 ORB	Steel	0.53	5	140.00
1	WS8F8		1 - 11 1/2 NPTF	Steel	1.13	5	154.01
1	WS8F8-SS	i	1 - 11 1/2 NPTF	316 SS	1.13	5	837.60
1	WS8BF8	i	1 - 11 BSPP	Steel	1.13	5	149.30
1	WS8BF8-SS		1 - 11 BSPP	316 SS	1.13	5	367.70
1	WS8OF8	i	1 5/16 - 12 ORB	Steel	1.11	5	149.30
1 1/4	WS10F10		1 1/4 - 11 1/2 NPTF	Steel	1.86	1	287.73
1 1/4	WS10F10-SS	i	1 1/4 - 11 1/2 NPTF	316 SS	1.86	1	915.30
1 1/4	WS10BF10	i	1 1/4 - 11 BSPP	Steel	1.86	1	116.70
1 1/4	WS10BF10-SS	i	1 1/4 - 11 BSPP	316 SS	1.86	1	404.60
1 1/4	WS10OF10	i	1 5/8 - 12 ORB	Steel	1.89	1	376.60
1 1/2	WS12F12		1 1/2 - 11 1/2 NPTF	Steel	3.13	1	339.38
1 1/2	WS12F12-SS	i	1 1/2 - 11 1/2 NPTF	316 SS	3.13	1	1311.60
1 1/2	WS12BF12		1 1/2 - 11 BSPP	Steel	3.13	1	550.62
1 1/2	WS12BF12-SS	i	1 1/2 - 11 BSPP	316 SS	3.13	1	1428.90
1 1/2	WS12OF12	i	1 5/8 - 12 ORB	Steel	3.11	1	542.90
2	WS16F16		2 - 11 1/2 NPTF	Steel	5.67	1	916.80
2	WS16F16-SS	i	2 - 11 1/2 NPTF	316 SS	5.67	1	1523.50
2	WS16BF16	i	2 - 11 BSPP	Steel	5.67	1	940.50
2	WS16BF16-SS	i	2 - 11 BSPP	316 SS	5.67	1	1592.70
2	WS16OF16	i	2 - 12 ORB	Steel	5.64	1	985.00

Price Group: PC

### WS-Series Blowout Prevention Safety Nipple



Size (inch)	Part No.		Thread Size (inch)	Body Material	Weight (kg)	Pkg Qty	Price \$ (ea)
3/4	WS6F4-BOP	i	1/2 - 14 NPTF	Steel	0.56	5	159.80
3/4	WS6F6-BOP		3/4 - 14 NPTF	Steel	0.54	5	121.10
3/4	WS6F6-SS-BOP	i	3/4 - 14 NPTF	316 SS	0.54	5	510.50
3/4	WS6BF6-BOP		3/4 - 14 BSPP	Steel	0.54	5	54.20
1	WS8F8-BOP		1 - 11 1/2 NPTF	Steel	1.13	5	160.84
1	WS8F8-SS-BOP	i	1 - 11 1/2 NPTF	316 SS	1.13	5	844.60
1	WS8BF8-BOP		1 - 11 BSPP	Steel	1.13	5	57.20
1 1/4	WS10F10-BOP		1 1/4 - 11 1/2 NPTF	Steel	1.80	1	306.46
1 1/4	WS10F10-SS-BOP	i	1 1/4 - 11 1/2 NPTF	316 SS	1.80	1	1833.10
1 1/4	WS10BF10-BOP	i	1 1/4 - 11 BSPP	Steel	1.80	1	123.50
1 1/2	WS12F12-BOP		1 1/2 - 11 1/2 NPTF	Steel	3.13	1	362.56
1 1/2	WS12F12-SS-BOP	i	1 1/2 - 11 1/2 NPTF	316 SS	3.13	1	507.00
1 1/2	WS12BF12-BOP	i	1 1/2 - 11 BSPP	Steel	3.13	1	205.50
2	WS16F16-BOP	i	2 - 11 1/2 NPTF	Steel	5.67	1	913.40
2	WS16F16-SS-BOP	i	2 - 11 1/2 NPTF	316 SS	5.67	1	3061.00
2	WS16BF16-BOP	i	2 - 11 BSPP	Steel	5.67	1	362.80

Price Group: PC

AP13

FOR TECHNICAL GUIDELINES PLEASE REFER TO PAGE 259



Phone: 1300 134 651  
www.dixonvalve.com

ADPL2013-14

Part numbers marked "i" are non stock.  
Enquire for availability.  
All prices exclude GST.