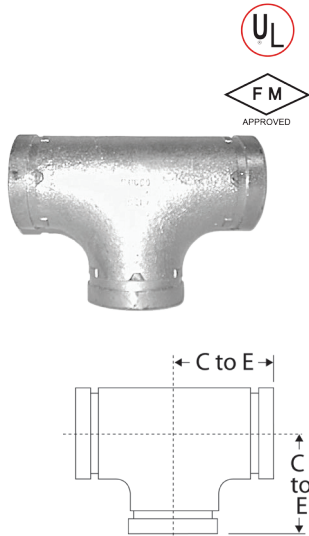


## Standard Series Roll Grooved Equal Tees - Galvanised



<b>Markings:</b>	Style 110
<b>Compatibility:</b>	Interchangeable with Fig 20
<b>Approvals:</b>	UL Listed FM Approved
<b>Material:</b>	Ductile Iron to ASTM-A536
<b>Working Pressure:</b>	1¼" to 3" = 500 PSI (3.5MPa) 10" = 275 PSI (1.9MPa)

Size NB	Size (inch)	Part No.	Centre to End (mm)	Approvals		Price \$
				UL	FM	
32	1¼	FWG-20-42	70	✓	✓	14.17
40	1½	FWG-20-48	70	✓	✓	35.85
50	2	FWG-20-60	83	✓	✓	25.16
65	2½	FWG-20-76	95	✗	✗	39.47
80	3	FWG-20-88	108	✓	✓	52.26
250	10	FWG-20-273	230	✗	✗	602.20

Price Group: FE  
CG01

## Standard Roll Grooved Reducing Tees - Galvanised



<b>Markings:</b>	Style 115
<b>Compatibility:</b>	Interchangeable with Fig 25
<b>Approvals:</b>	UL Listed FM Approved
<b>Material:</b>	Ductile Iron to ASTM-A536
<b>Working Pressure:</b>	500PSI (3.5MPa)

Size NB	Size (inch)	Part No.	Centre to End (mm)	UL	Price \$
100 x 100 x 50	4 x 4 x 2	FWG-TEE-114-60	127	✓	100.07
100 x 100 x 80	4 x 4 x 3	FWG-TEE-114-88	127	✓	80.61
150 x 150 x 50	6 x 6 x 2	FWG-TEE-165-60	165	✓	355.81
150 x 150 x 80	6 x 6 x 3	FWG-TEE-165-88	165	✓	150.11
150 x 150 x 100	6 x 6 x 4	FWG-TEE-165-114	165	✓	155.67
200 x 200 x 100	8 x 8 x 4	FWG-TEE-219-114	197	✗	593.60

Price Group: FE  
CG01

## Standard Roll Grooved Tees c/w BSP outlet Galvanised



<b>Markings:</b>	Style 115 T
<b>Material:</b>	Ductile Iron to ASTM-A536
<b>Working Pressure:</b>	500 PSI (3.5MPa)

Size NB	Size (inch)	Part No.	Price \$
100 x 100 x 25	4 x 4 x 1	FWG-TEE-114-34	78.45

Price Group: FE  
CG01

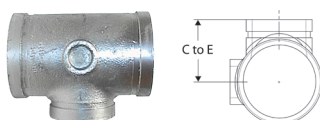
## Standard Roll Grooved Bullhead Tee - Galvanised



Size NB	Size (inch)	Part No.	Centre to End (mm)	Face to Face (mm)	Price \$
80 x 80 x 100	3 x 3 x 4	FWG-BHT8888114	120	230	81.40

Price Group: FE  
CG05

## Standard Roll Grooved Hydrant Stack Tee - Galvanised



Size NB	Size (inch)	Part No.	Centre to End (mm)	Face to Face (mm)	Price \$
100 x 100 x 80	4 x 4 x 3	FWG-HST-114-88	83	165	66.72

Price Group: FE  
CG05