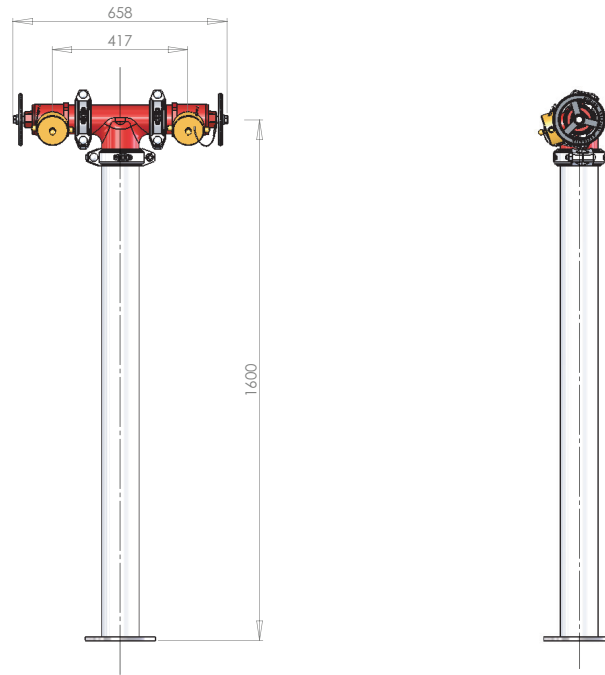


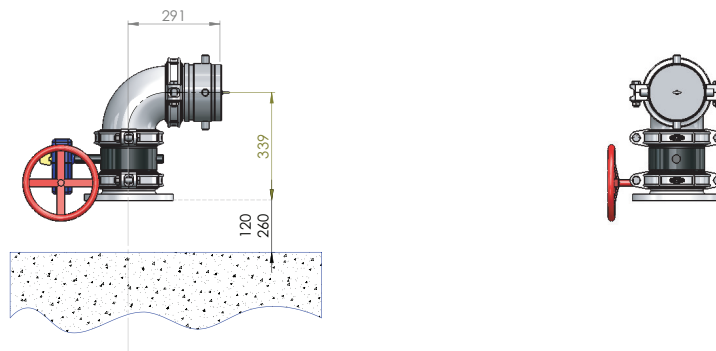
QLD Twin Hydrant Riser



Part No.	Description	Price \$
FKG-HRK-1625PC	100NB Powder Coated Hydrant Riser Kit	1148.45

Price Group: FE
FP07

QLD Tank Suction Point



Part No.	Description	Price \$
FFS-QTSP-125COV	150NB QLD Tank Suction Point Kit	3215.51

Price Group: FE
FP07

QLD Roll Groove Tank Suction Adapter

Part No.	Description	Price \$
FFS-125COVX150RG	125mm 3TPI Female Thread x 150NB RG	2196.11

Price Group: FE
FP07

