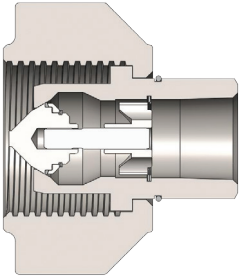


**WS-Series Blowout Prevention Safety Couplers**

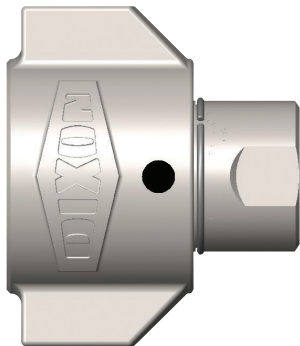


Female Thread

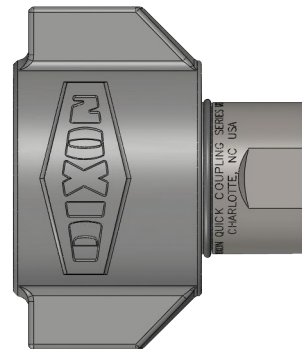


Size (inch)	Part No.	Thread Size (inch)	Body Material	Weight (kg)	Pkg Qty	Price \$ (ea)
3/4	6WSF4-BOP	1/2 - 14 NPTF	Steel	0.84	5	268.95
3/4	6WSF6-BOP	3/4 - 14 NPTF	Steel	0.82	5	220.61
3/4	6WSF6-SS-BOP	3/4 - 14 NPTF	316 SS	0.82	5	860.93
3/4	6WSBF6-BOP	3/4 - 14 BSPP	Steel	0.82	5	207.99
1	8WSF8-BOP	1 - 11 1/2 NPTF	Steel	1.50	5	272.85
1	8WSF8-SS-BOP	1 - 11 1/2 NPTF	316 SS	1.50	5	1090.57
1 1/4	10WSF10-BOP	1 1/4 - 11 1/2 NPTF	Steel	2.59	1	389.92
1 1/4	10WSF10-SS-BOP	1 1/4 - 11 1/2 NPTF	316 SS	2.59	1	1213.35
1 1/4	10WSBF10-BOP	1 1/4 - 11 BSPP	Steel	2.59	1	448.85
1 1/2	12WSF12-BOP	1 1/2 - 11 1/2 NPTF	Steel	4.04	1	549.76
1 1/2	12WSF12-SS-BOP	1 1/2 - 11 1/2 NPTF	316 SS	4.04	1	2021.66
1 1/2	12WSBF12-BOP	1 1/2 - 11 BSPP	Steel	4.04	1	876.66
2	16WSF16-BOP	2 - 11 1/2 NPTF	Steel	7.76	1	1153.47
2	16WSF16-SS-BOP	2 - 11 1/2 NPTF	316 SS	7.76	1	2267.92
2	16WSBF16-BOP	2 - 11 BSPP	Steel	7.76	1	1243.57

Price Group: PC  
AP13

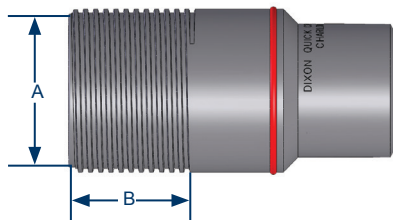


WS Coupler With View Port Example



WS Coupler With Wrench Flats Example  
\* Wrench flats may result in reduced pressure performance.

**WS-BOP Series Profile**



Body Size (inch)	A (mm)	B (mm)
3/4	44.45	38.10
1	57.15	46.64
1 1/4	66.68	57.15
1 1/2	82.55	66.68
2	101.60	88.90

FOR TECHNICAL GUIDELINES PLEASE REFER TO PAGE 284



1300 134 651  
dixonvalve.com.au

All prices exclude GST.  
ADPL718