



The Right Connection®

FloTech™ FT295 Alarm Interface Module

*Designed to easily connect to the float or non-IS relay output
on any FloTech™ Onboard Monitor*

**IDEAL FOR
PUMP-OFF
CONTROL!**



Applications:

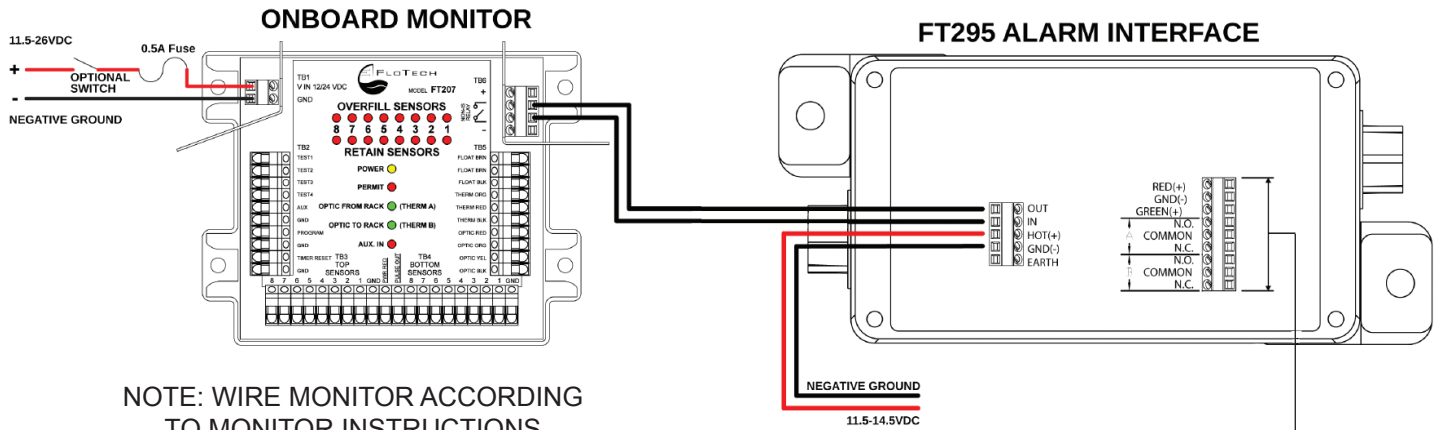
- Used in trans-loading between mobile tanks or remote fix storage tanks and a cargo tank; also used in pump out applications.

Features:

- provides a visual and audible alarm
- suitable for use in hazardous locations and connections to agency approved onboard monitors
- compatible with any of the popular onboard monitors in use today
- provides multiple sets of form C relay contact with both "normally open" and "normally closed" contact sets
- switch allows operator to manually turn the alarm on and off when not in use
- non-corrosive and weather-tight enclosure
- standard device used on military refueling vehicles

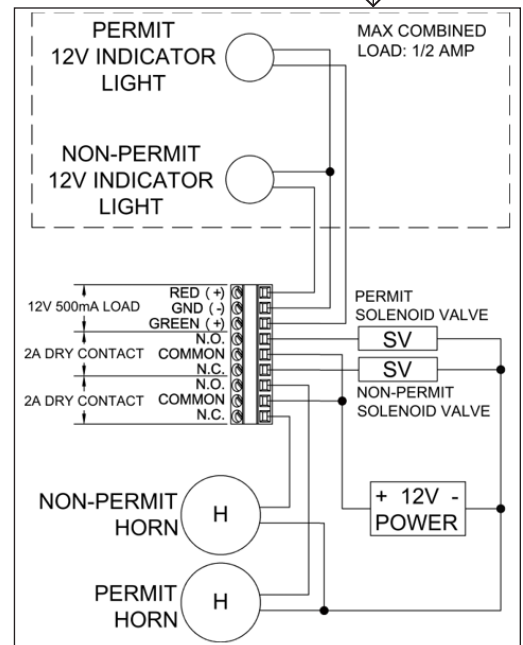
FloTech FT295 Alarm Interface Module

WIRING DIAGRAM



NOTE: WIRE MONITOR ACCORDING TO MONITOR INSTRUCTIONS

EXAMPLE OF WIRE EXTERNAL CONNECTIONS



Dixon Bayco

800 High Street • Chestertown, MD 21620
ph: 410.778.2000 • fx: 410.778.4702
dixonvalve.com

Dixon Group Canada Ltd.

2315 Bowman Street • Innisfil, Ontario L9S 3V6
ph: 800.355.1991 • fx: 877.436.6251
dixongroupcanada.com

