

- Designed to lubricate a single tool, valve, cylinder, air motor, or other air driven device
- One Oil-Fog lubricator should be provided for each device requiring lubrication
- All around (360°) visibility of the sight-feed dome simplifies installation and adjustment
- The 2 and 5 U.S. gallon (8 and 20 liter) reservoirs are rated to ASME Pressure Vessel Code, Section VIII



**Ordering Information.** Models listed have 2" PTF threads.

Model Number	Reservoir Nominal Size	Reservoir Working Capacity Fluid Ounce (Liter)	Recommended Operating Flow Range* scfm (dm <sup>3</sup> /s)	Weight lbs (kg)
10-076-004	2 U.S. gallon (8 liter)	113 (3.34)	250 to 1000 (118 to 472)	19 (8.6)
10-076-005	5 U.S. gallon (20 liter)	316 (9.34)	250 to 1000 (118 to 472)	32 (14.5)

\* At 100 psig (6.9 bar) inlet pressure and pressure drop of 5 psid (0.35 bar).

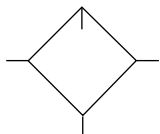
### Alternative Models

1 0 - ★ 7 6 - ★ ★ ★ - ★ ★

Threads	Substitute
PTF	0
ISO G parallel	8

Option	Add
Factory installed pyrex sight feed dome	8W

### ISO Symbol



With Drain

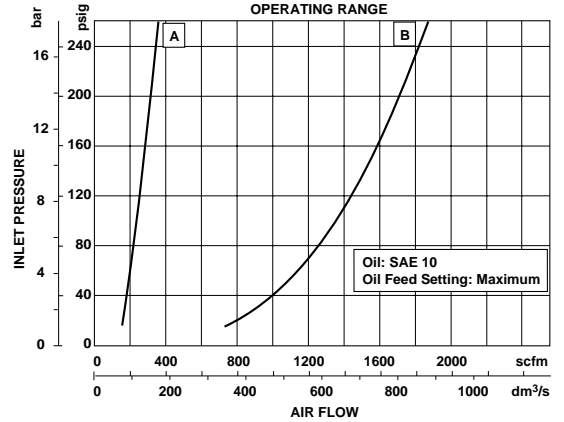
**See Section ALE-24 for Accessories**



**Technical Data**

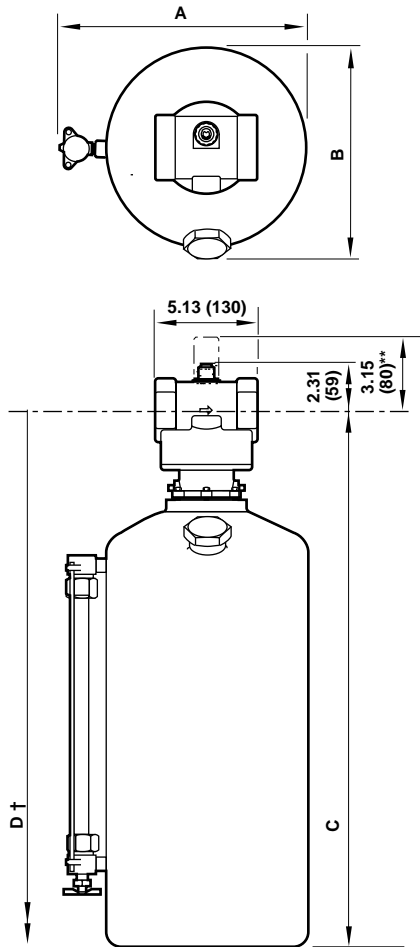
Fluid: Compressed air  
 Maximum pressure: 250 psig (17 bar)  
 Operating temperature\*: 0° to 175°F (-20° to 80°C)  
 \* Air supply must be dry enough to avoid ice formation at temperatures below 35°F (2°C).  
 Start point (minimum flow required for lubricator operation) at 90 psig (6.3 bar)  
 inlet pressure: 240 scfm (123 dm<sup>3</sup>/s)  
 Typical flow with 90 psig (6.3 bar) inlet pressure and 5 psig (0.35 bar) pressure drop: 1300 scfm (614 dm<sup>3</sup>/s)  
 Nominal reservoir sizes:  
 2 U.S. gallon (8 liter)  
 5 U.S. gallon (20 liter)  
 Recommended lubricants: See Section ALE-29.  
**Materials**  
 Body and adapter: Aluminum  
 Reservoir: Steel  
 Reservoir liquid level indicator lens: Pyrex  
 Sight-feed dome  
 Standard: Transparent nylon  
 Optional: Pyrex and aluminum  
 Elastomers: Nitrile

**Typical Performance Characteristics**



A: Minimum flow based on oil drip rate of 5 drops per minute.  
 B: Maximum flow based on pressure drop of 5 psid (0.35 bar).

All Dimensions in Inches (mm)



2 and 5 gallon (8 and 20 liter) reservoir

\*\* Optional pyrex sight-feed dome.  
 † Minimum clearance required to remove bowl.

**Service Kits**

Item	Type	Part Number
Liquid level lens kit	8 and 20 liter reservoir	2274-01
Replacement drain	Manual petcock	684-01
Seal kit	Models after 2000	3035-06
Seal kit	Models prior 2000	3035-02

Reservoir sight glass kits include sight glass, sight glass guards, seals, and hardware.

Reservoir	A	B	C	D
2 gallon (8 liter)	7.81 (198)	7.18 (182)	21.53 (547)	35 (887)
5 gallon (20 liter)	11.81 (300)	11.18 (284)	24.78 (629)	40 (1014)