

High Pressure Wingstyle Hydraulic Couplings

Applications:

- oil field (hydraulic supply lines, blow out preventer, pipe spinners, top drives, coil tubing units)
- construction (pile drivers, tampers, hydraulic hammers, submersible pumps)
- offshore (supply reels, platform jack-up systems, water pump systems)

Sizes:

- 3/4" - 2"

Materials:

- body: steel and 316 stainless steel
- seal: nitrile, FKM, EPDM
- dust caps/plugs: aluminum with steel cable

Features:

- **5000 PSI** working pressure for steel, **3000 PSI** working pressure for 316 stainless
- view ports available on request (except for BOP models)
- steel componentry plated using ROHS compliant zinc nickel
- main valve seal is housed to improve seal integrity during pressured connection and disconnection
- NPTF, BSPP, Code 62 flange and ORB
- Parker Snap-Tite 75 Series, Hydraulics Incorporated 5TV Series, Stucchi VOF, Faster OGV, and DNP VFF-HD



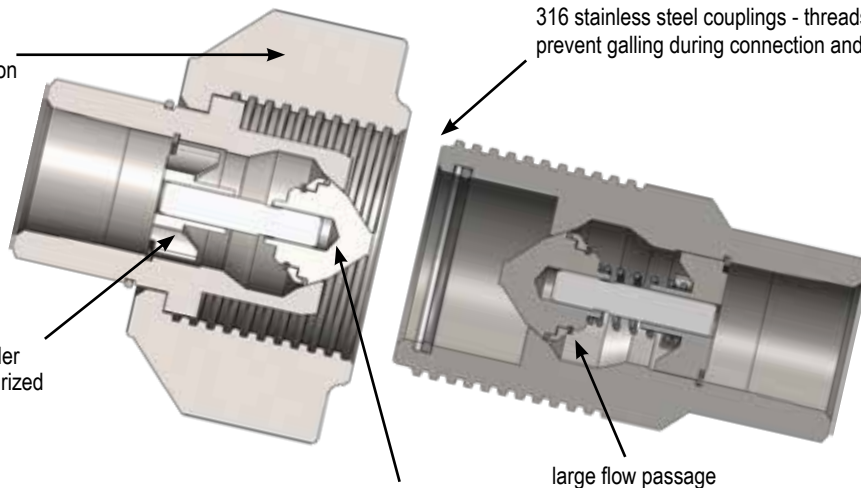
rugged high-strength steel
sand-cast wing nut for threaded
connect and disconnect operation

316 stainless steel couplings - threads are coated to
prevent galling during connection and disconnection

heavy duty 'spider' valve holder
resists surge flow and pressurized
connections

re-buildable valve and
easy seal replacement

large flow passage



Female Threaded Coupler

Body Size	Part Details			Length		Maximum OD		Pkg Qty
	Part Number	Threads	Material	Inch	mm	Inch	mm	
¾"	6WSF4	½" - 14 NPTF	steel	2.76	70.1	3.23	82.0	5
	6WSF6	¾" - 14 NPTF	steel	2.76	70.1	3.23	82.0	5
	6WSF6-SS	¾" - 14 NPTF	316 stainless	2.76	70.1	3.23	82.0	5
	6WSBF6	¾" - 14 BSPP	steel	2.76	70.1	3.23	82.0	5
	6WSBF6-SS	¾" - 14 BSPP	316 stainless	2.76	70.1	3.23	82.0	5
	6WSOF6	1 1/16" - 12 ORB	steel	2.76	70.1	3.23	82.0	5
1"	8WSF8	1" - 1 1/2" NPTF	steel	3.45	87.6	4.00	101.6	5
	8WSF8-SS	1" - 1 1/2" NPTF	316 stainless	3.45	87.6	4.00	101.6	5
	8WSBF8	1" - 11 BSPP	steel	3.45	87.6	4.00	101.6	5
	8WSBF8-SS	1" - 11 BSPP	316 stainless	3.45	87.6	4.00	101.6	5
	8WSOF8	1 5/16" - 12 ORB	steel	3.45	87.6	4.00	101.6	5
1 1/4"	10WSF10	1 1/4" - 1 1/2" NPTF	steel	4.40	111.8	4.65	118.1	1
	10WSF10-SS	1 1/4" - 1 1/2" NPTF	316 stainless	4.40	111.8	4.65	118.1	1
	10WSBF10	1 1/4" - 11 BSPP	steel	4.40	111.8	4.65	118.1	1
	10WSBF10-SS	1 1/4" - 11 BSPP	316 stainless	4.40	111.8	4.65	118.1	1
	10WSOF10	1 5/8" - 12 ORB	steel	4.40	111.8	4.65	118.1	1
1 1/2"	12WSF12	1 1/2" - 1 1/2" NPTF	steel	5.13	130.3	5.43	137.9	1
	12WSF12-SS	1 1/2" - 1 1/2" NPTF	316 stainless	5.13	130.3	5.43	137.9	1
	12WSBF12	1 1/2" - 11 BSPP	steel	5.13	130.3	5.43	137.9	1
	12WSBF12-SS	1 1/2" - 11 BSPP	316 stainless	5.13	130.3	5.43	137.9	1
	12WSOF12	1 7/8" - 12 ORB	steel	5.13	130.3	5.43	137.9	1
2"	16WSF16	2" - 1 1/2" NPTF	steel	6.09	154.7	6.73	170.9	1
	16WSF16-SS	2" - 1 1/2" NPTF	316 stainless	6.09	154.7	6.73	170.9	1
	16WSBF16	2" - 11 BSPP	steel	6.09	154.7	6.73	170.9	1
	16WSBF16-SS	2" - 11 BSPP	316 stainless	6.09	154.7	6.73	170.9	1
	16WSOF16	2 1/2" - 12 ORB	steel	6.09	154.7	6.73	170.9	1



steel



316 stainless

Optional



WS coupler with view port



WS coupler with wrench flats
Wrench flats may result in reduced pressure performance.

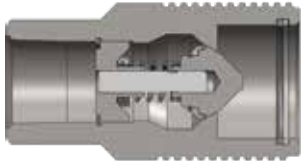
Female Threaded Plugs



steel



316 stainless



interior



exterior

Body Size	Part Number	Part Details		Length		Maximum OD		Pkg Qty
		Threads	Material	Inch	mm	Inch	mm	
¾"	WS6F4	½" - 14 NPTF	steel	3.27	83.1	1.74	44.2	5
	WS6F6	¾" - 14 NPTF	steel	3.27	83.1	1.74	44.2	5
	WS6F6-SS	¾" - 14 NPTF	316 stainless	3.27	83.1	1.74	44.2	5
	WS6BF6	¾" - 14 BSPP	steel	3.27	83.1	1.74	44.2	5
	WS6BF6-SS	¾" - 14 BSPP	316 stainless	3.27	83.1	1.74	44.2	5
	WS6OF6	1 1/16" - 12 ORB	steel	3.27	83.1	1.74	44.2	5
1"	WS8F8	1" - 1 1/2" NPTF	steel	4.18	106.2	2.25	57.2	5
	WS8F8-SS	1" - 1 1/2" NPTF	316 stainless	4.18	106.2	2.25	57.2	5
	WS8BF8	1" - 11 BSPP	steel	4.18	106.2	2.25	57.2	5
	WS8BF8-SS	1" - 11 BSPP	316 stainless	4.18	106.2	2.25	57.2	5
	WS8OF8	1-5/16" - 12 ORB	steel	4.18	106.2	2.25	57.2	5
1 1/4"	WS10F10	1 1/4" - 1 1/2" NPTF	steel	5.38	136.7	2.63	66.8	1
	WS10F10-SS	1 1/4" - 1 1/2" NPTF	316 stainless	5.38	136.7	2.63	66.8	1
	WS10BF10	1 1/4" - 11 BSPP	steel	5.38	136.7	2.63	66.8	1
	WS10BF10-SS	1 1/4" - 11 BSPP	316 stainless	5.38	136.7	2.63	66.8	1
	WS10OF10	1 5/8" - 12 ORB	steel	5.38	136.7	2.63	66.8	1
1 1/2"	WS12F12	1 1/2" - 1 1/2" NPTF	steel	5.98	151.9	3.25	82.6	1
	WS12F12-SS	1 1/2" - 1 1/2" NPTF	316 stainless	5.98	151.9	3.25	82.6	1
	WS12BF12	1 1/2" - 11 BSPP	steel	5.98	151.9	3.25	82.6	1
	WS12BF12-SS	1 1/2" - 11 BSPP	316 stainless	5.98	151.9	3.25	82.6	1
	WS12OF12	1 7/8" - 12 ORB	steel	5.98	151.9	3.25	82.6	1
2"	WS16F16	2" - 1 1/2" NPTF	steel	7.05	179.1	4.00	101.6	1
	WS16F16-SS	2" - 1 1/2" NPTF	316 stainless	7.05	179.1	4.00	101.6	1
	WS16BF16	2" - 11 BSPP	steel	7.05	179.1	4.00	101.6	1
	WS16BF16-SS	2" - 11 BSPP	316 stainless	7.05	179.1	4.00	101.6	1
	WS16OF16	2 1/2" - 12 ORB	steel	7.05	179.1	4.00	101.6	1

Code 62

Flange Head Couplers

Body Size	Port Size	Steel Part #
3/4"	3/4"	6WSFH6
1"	1"	8WSFH8
1 1/4"	1 1/4"	10WSFH10
1 1/2"	1 1/2"	12WSFH12
2"	2"	16WSFH16



Flange Head Plugs

Body Size	Port Size	Steel Part #
3/4"	3/4"	WS6FH6
1"	1"	WS8FH8
1 1/4"	1 1/4"	WS10FH10
1 1/2"	1 1/2"	WS12FH12
2"	2"	WS16FH16



Flange Pad Couplers

Body Size	Port Size	Steel Part #
3/4"	3/4"	6WSFP6
1"	1"	8WSFP8
1 1/4"	1 1/4"	10WSFP10
1 1/2"	1 1/2"	12WSFP12
2"	2"	16WSFP16



Flange Pad Plugs

Body Size	Port Size	Steel Part #
3/4"	3/4"	WS6FP6
1"	1"	WS8FP8
1 1/4"	1 1/4"	WS10FP10
1 1/2"	1 1/2"	WS12FP12
2"	2"	WS16FP16



Accessories

Rigid Dust Caps



Body Size	Aluminum body with steel cable Part #
3/4"	WS6DC-A
1"	WS8DC-A
1 1/4"	WS10DC-A
1 1/2"	WS12DC-A
2"	WS16DC-A

Rigid Dust Plugs



Body Size	Aluminum body with steel cable Part #
3/4"	6WSDP-A
1"	8WSDP-A
1 1/4"	10WSDP-A
1 1/2"	12WSDP-A
2"	16WSDP-A

Seal Kits



Body Size	Coupler Style	Seal Kit Contents	Nitrile Part #
3/4"	all	body / valve seals and retaining rings	6WS-SKIT
1"	all	body / valve seals and retaining rings	8WS-SKIT
1 1/4"	all	body / valve seals and retaining rings	10WS-SKIT
1 1/2"	all	body / valve seals and retaining rings	12WS-SKIT
2"	all	body / valve seals and retaining rings	16WS-SKIT

Repair Kits



Body Size	Coupler Style	Repair Kit Contents	Nitrile Part #
3/4"	all	valve assembly, O-ring, and PTFE B.U.	6WS-RKIT
1"	all	valve assembly, O-ring, and PTFE B.U.	8WS-RKIT
1 1/4"	all	valve assembly, O-ring, and PTFE B.U.	10WS-RKIT
1 1/2"	all	valve assembly, O-ring, and PTFE B.U.	12WS-RKIT
2"	all	valve assembly, O-ring, and PTFE B.U.	16WS-RKIT

WS-BOP Series Hydraulic Couplings

Application:

- designed for use in oil field BOP accumulator systems where couplings are required to operate under fire conditions

Features:

- red powder coated components and external O-rings for easy BOP service identification
- steel components are plated using ROHS compliant zinc nickel
- individually marked with the BOP series designation, API 16D specification and date code

Specification:

- pressure rating **5000 PSI**

Approvals:

- fire tested and Lloyd's certified to **1300°F (700°C)** in accordance with API 16D
- certificate available upon request

Female Threaded Couplers

Body Size	Threads	Steel Part #	316 Stainless Steel Part #
3/4"	1/2" - 14 NPTF	6WSF4-BOP	---
	3/4" - 14 NPTF	6WSF6-BOP	6WSF6-SS-BOP
1"	1" - 11 1/2 NPTF	8WSF8-BOP	8WSF8-SS-BOP
1 1/4"	1 1/4" - 11 1/2 NPTF	10WSF10-BOP	10WSF10-SS-BOP
1 1/2"	1 1/2" - 11 1/2 NPTF	12WSF12-BOP	12WSF12-SS-BOP
2"	2" - 11 1/2 NPTF	16WSF16-BOP	16WSF16-SS-BOP



Female Threaded Plugs

Body Size	Threads	Steel Part #	316 Stainless Steel Part #
3/4"	1/2" - 14 NPTF	WS6F4-BOP	---
	3/4" - 14 NPTF	WS6F6-BOP	WS6F6-SS-BOP
1"	1" - 11 1/2 NPTF	WS8F8-BOP	WS8F8-SS-BOP
1 1/4"	1 1/4" - 11 1/2 NPTF	WS10F10-BOP	WS10F10-SS-BOP
1 1/2"	1 1/2" - 11 1/2 NPTF	WS12F12-BOP	WS12F12-SS-BOP
2"	2" - 11 1/2 NPTF	WS16F16-BOP	WS16F16-SS-BOP



Seal Kits

Body Size	Coupler Style	Repair Kit Contents	FR FKM Part #
3/4"	all	body / valve seals and retaining rings	6BOP-SKIT
1"	all	body / valve seals and retaining rings	8BOP-SKIT
1 1/4"	all	body / valve seals and retaining rings	10BOP-SKIT
1 1/2"	all	body / valve seals and retaining rings	12BOP-SKIT
2"	all	body / valve seals and retaining rings	16BOP-SKIT



Dixon, founded in 1916, is a premier manufacturer and supplier of hose couplings, valves, dry-disconnects, swivels, and other fluid transfer and control products. The company's global reach includes a wide range of products for numerous industries including petroleum exploration, refining, transportation, chemical processing, food & beverage, steel, fire protection, construction, mining and manufacturing. Dixon's strategic objective is to create solutions that make products safer, leak-free, longer lasting, and always available.



canada.dixonvalve.com • *Customer Service:* 877.963.4966



The Right Connection®

Dixon Group Canada Limited

2200 Logan Avenue,
Winnipeg, MB R2R 0J2
isales@dixongroupcanada.com

