



Plasson® Fittings Catalogue

Uncommon Excellence

Plasson® Fittings 3

Metric Fittings 3

7110 - Metric Reducing Couplings 3

7115 - Metric Mine Reducing Couplings 3

7010 - Metric Couplings 4

7015 - Metric Mine Couplings 4

7040 - Metric Equal Tee 4

7045 - Metric Mine Tee 4

7840 - Metric Tee x Male BSP 5

7845 - Metric Mine Tee x Male BSP 5

7340 - Metric Reducing Tee 5

7345 - Metric Mine Reducing Tee 5

7140 - Metric Tee x Female BSP 6

7145 - Metric Mine Tee x Female BSP 6

7120 - Metric End Plug 6

7125 - Metric Mine End Plug 6

7050 - Metric Elbow 7

7055 - Metric Mine Elbow 7

7150 - Metric Elbow x Female BSP 7

7155 - Metric Elbow x Female BSP 7

7850 - Metric Elbow x Male BSP 8

7855 - Metric Mine Elbow x Male BSP 8

7060 - 45° Metric Elbow 8

7065 - 45° Metric Mine Elbow 8

7020 - Metric Adaptor x Male BSP 9

7025 - Metric Mine Adaptor x Male BSP 9

7030 - Metric Adaptor x Female BSP 10

7030 - Metric Mine Adaptor x Female BSP 10

7220 - Metric Flanged x Adaptors 10

7225 - Metric Mine Flanged x Adaptors 10

7320 - Metric Shouldered Adaptors 11

1607 - Metric Tapping Saddles 11

7002 - Metric O-Rings 12

7003 - Split Rings 12

7004 - Metric Nuts 12

7005 - Metric Inserts 12

7930 - Metric Mine Reducing Sets 12

7990 - Metric Wrenches 12

BSP Fittings 13

5040 - BSP Tee 13

5050 - BSP Elbow 13

5020 - BSP Reducing Bush 14

5060 - BSP Nipple 14

5060 - BSP Reducing Nipple 14

5010 - BSP Socket 15

5070 - BSP End Cap 15

5170 - BSP End Plug 15

Applications

- Plasson® compression fittings are designed for connecting all forms of polyethylene pipe. Common applications include underground and surface mining, plumbing, irrigation, civil construction, gas installation, industrial fluid transfer, and wastewater systems.

Materials

- Body: polypropylene, high-grade copolymer
- Nut: polypropylene, high-grade copolymer
- Split ring: polyacetal
- Seal: NBR

Pressure Rating

- PN16

Product Components

- Two split rings, two seals, two nuts

Standards

- ISO 17885, AS/NS 4129, ISO 7/1, BS 21, DIN 2999, UNI 9561, NEN 3258, AS 1722, DIN 8076

Chemical Resistance

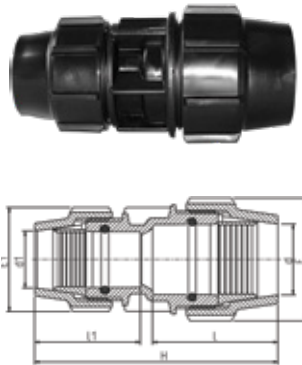
- Polyacetal split rings and NBR seals, suitable for water, are supplied as standard. CPVC split rings and EPDM or FPM seals are available. For aggressive chemical applications, the end user is advised to test the suitability

Operating Temperature

- The maximum temperature of use for fittings and valves is the same as that for polyethylene pipe and is not intended for use in hot water applications. They will withstand sub-zero temperatures



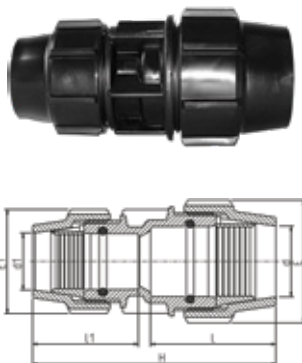
7110 - Metric Reducing Couplings



Size		Part Numbers	H (mm)	E (mm)	E1 (mm)	I (mm)	I1 (mm)	Weight (kg)
d (mm)	d1 (mm)							
25	16	PCF-COUP-25-16	113	54	39	58	50	0.09
25	20	PCF-COUP-25-20	119	54	48	58	57	0.10
32	20	PCF-COUP-32-20	140	64	48	67	57	0.14
32	25	PCF-COUP-32-25	133	64	54	67	58	0.14
40	25	PCF-COUP-40-25	156	82	54	84	58	0.22
40	32	PCF-COUP-40-32	156	82	64	84	67	0.25
50	25	PCF-COUP-50-25	176	96	54	93	58	0.30
50	32	PCF-COUP-50-32	175	96	64	98	62	0.33
50	40	PCF-COUP-50-40	184	96	82	93	84	0.38
75	50	PCF-COUP-75-50	245W	134	96	132	98	0.85
75	63	PCF-COUP-75-63	252	134	113	132	112	0.96
90	75	PCF-COUP-90-75	330	154	134	170	134	1.61
110	90	PCF-COUP-110-90	378	181	154	194	162	2.64

Product Group: MS01

7115 - Metric Mine Reducing Couplings



Size		Part Numbers	H (mm)	E (mm)	E1 (mm)	I (mm)	I1 (mm)	Weight (kg)
d (mm)	d1 (mm)							
63	25	PCF-COUP-63-25	193	113	54	110	58	0.46
63	32	PCF-COUP-63-32	197	113	64	110	62	0.49
63	40	PCF-COUP-63-40	208	113	82	110	82	0.55
63	50	PCF-COUP-63-50	214	113	96	110	93	0.57
90	63	PCF-COUP-90-63	292	154	113	170	115	1.42
110	63	PCF-COUP-110-63	393	181	181	194	194	3.66

Product Group: MS01

7010 - Metric Couplings

Size d (mm)	Part Numbers	H (mm)	E (mm)	I (mm)	Weight (kg)
20	PCF-COUP-20	122	48	59	0.09
25	PCF-COUP-25	126	54	61	0.11
32	PCF-COUP-32	145	64	71	0.19
40	PCF-COUP-40	177	82	87	0.31
50	PCF-COUP-50	201	96	98	0.46
75	PCF-COUP-75	278	134	138	1.18
90	PCF-COUP-90	335	154	165	1.90
110	PCF-COUP-110	393	181	194	3.13

Product Group: MS01



7015 - Metric Mine Couplings

Size d (mm)	Part Number	H (mm)	E (mm)	I (mm)	Weight (kg)
63	PCF-COUP-63	230	113	113	.74

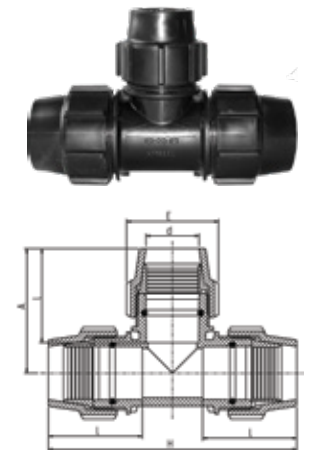
Product Group: MS01



7040 - Metric Equal Tee

Size d (mm)	Part Numbers	A (mm)	H (mm)	E (mm)	I (mm)	Weight (kg)
16	PCF-TEE-16	63	126	39	50	0.08
20	PCF-TEE-20	73	145	48	56	0.14
25	PCF-TEE-25	78	156	54	58	0.17
32	PCF-TEE-32	93	185	64	67	0.29
40	PCF-TEE-40	111	221	82	86	0.50
50	PCF-TEE-50	126	252	96	95	0.74
75	PCF-TEE-75	177	353	132	132	1.89
90	PCF-TEE-90	220	439	154	165	3.16
110	PCF-TEE-110	292	583	181	194	5.58

Product Group: MS01



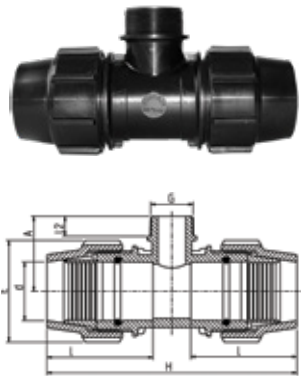
7045 - Metric Mine Tee

Size d (mm)	Part Number	A (mm)	H (mm)	E (mm)	I (mm)	Weight (kg)
63	PCF-TEE-63	146	294	113	110	1.22

Product Group: MS01



7840 - Metric Tee x Male BSP



Size		Part Numbers	A (mm)	H (mm)	E (mm)	I (mm)	I2 (mm)	Weight (kg)
d (mm)	G (inch)							
20	½	PCF-TEE-20-15M	46	138	48	56	17	0.11
20	¾	PCF-TEE-20-20M	46	144	48	56	18	0.11
25	½	PCF-TEE-25-15M	48	146	54	58	17	0.13
25	¾	PCF-TEE-25-20M	50	146	54	58	18	0.14
32	1	PCF-TEE-32-25M	58	170	64	67	20	0.22
40	1½	PCF-TEE-40-40M	71	205	82	84	22	0.38
50	1½	PCF-TEE-50-40M	77	230	96	93	22	0.52

Product Group: MS01

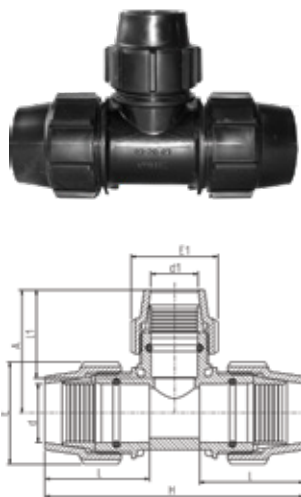
7845 - Metric Mine Tee x Male BSP



Size		Part Number	A (mm)	H (mm)	E (mm)	I (mm)	I2 (mm)	Weight (kg)
d (mm)	G (inch)							
63	2	PCF-TEE-63-50M	92	272	113	110	26	.88

Product Group: MS01

7340 - Metric Reducing Tee



Size		Part Numbers	A (mm)	H (mm)	E (mm)	E1 (mm)	I (mm)	I1 (mm)	Weight (kg)
d (mm)	d1 (mm)								
32	25	PCF-TEE-32-25	63	173	64	54	67	58	0.26
40	25	PCF-TEE-40-25	84	205	82	54	84	58	0.41
50	25	PCF-TEE-50-25	105	228	96	54	93	76	0.54
50	32	PCF-TEE-50-32	117	230	96	64	93	67	0.65
50	40	PCF-TEE-50-40	114	236	113	64	113	62	0.89
75	63	PCF-TEE-75-63	153	353	132	113	132	109	1.67
110	63	PCF-TEE-110-63	292	583	181	-	194	-	6.13

Product Group: MS01

7345 - Metric Mine Reducing Tee



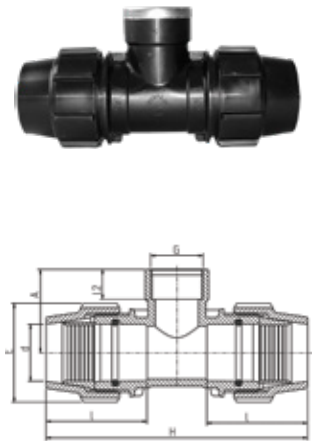
Size		Part Numbers	A (mm)	H (mm)	E (mm)	E1 (mm)	I (mm)	I1 (mm)	Weight (kg)
d (mm)	d1 (mm)								
63	32	PCF-TEE-63-32	118	268	113	82	113	84	0.89
63	50	PCF-TEE-63-50	132	275	113	96	110	93	1.02

Product Group: MS01

7140 - Metric Tee x Female BSP

Size		Part Numbers	A (mm)	H (mm)	E (mm)	I (mm)	I2 (mm)	Weight (kg)
d (mm)	G (inch)							
16	½	PCF-TEE-16-15F	42	122	39	50	17	0.06
16	¾	PCF-TEE-16-20F	41	122	39	50	19	0.07
20	¾	PCF-TEE-20-20F	45	144	48	56	19	0.11
25	½	PCF-TEE-25-15F	45	151	54	58	18	0.13
25	¾	PCF-TEE-25-20F	48	151	54	58	19	0.14
25	1	PCF-TEE-25-25F	53	158	54	58	51	0.14
25	1¼	PCF-TEE-25-32F	64	158	54	58	25	0.19
32	¾	PCF-TEE-32-20F	51	177	64	67	19	0.21
32	1	PCF-TEE-32-25F	54	177	64	67	21	0.21
32	1¼	PCF-TEE-32-32F	65	182	64	67	25	0.25
40	1	PCF-TEE-40-25F	61	203	82	84	21	0.36
40	1¼	PCF-TEE-40-32F	70	217	82	84	24	0.40
40	1½	PCF-TEE-40-40F	70	217	82	84	25	0.41
50	1½	PCF-TEE-50-40F	76	244	96	93	25	0.57
50	2	PCF-TEE-50-50F	80	244	96	93	30	0.59
75	2	PCF-TEE-75-50F	110	359	134	132	30	1.46
90	3	PCF-TEE-90-75F	116	419	154	165	40	2.35

Product Group: MS01



7145 - Metric Mine Tee x Female BSP

Size		Part Number	A (mm)	H (mm)	E (mm)	I (mm)	I2 (mm)	Weight (kg)
d (mm)	G (inch)							
63	2	PCF-TEE-63-50F	95	272	113	110	30	.91

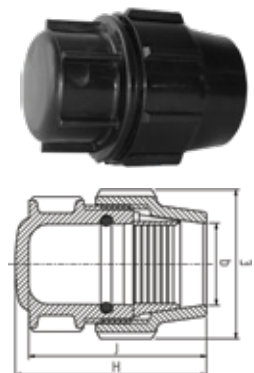
Product Group: MS01



7120 - Metric End Plug

Size d (mm)	Part Numbers	A (mm)	E (mm)	I (mm)	Weight (kg)
25	PCF-PLUG-25	82	54	77	0.07
32	PCF-PLUG-32	92	64	87	0.11
40	PCF-PLUG-40	102	82	97	0.19
50	PCF-PLUG-50	121	96	114	0.27
75	PCF-PLUG-75	172	134	155	0.71
90	PCF-PLUG-80	212	154	170	1.14

Product Group: MS01



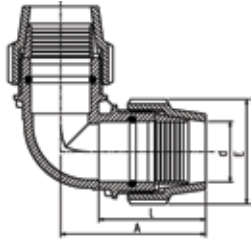
7125 - Metric Mine End Plug

Size d (mm)	Part Number	A (mm)	E (mm)	I (mm)	Weight (kg)
63	PCF-PLUG-63	145	113	122	.45

Product Group: MS01



7050 - Metric Elbow



Size d (mm)	Part Numbers	A (mm)	E (mm)	I (mm)	Weight (kg)
16	PCF-ELB90-16	63	39	50	0.06
20	PCF-ELB90-20	73	48	56	0.10
25	PCF-ELB90-25	79	54	58	0.12
32	PCF-ELB90-32	93	64	67	0.19
40	PCF-ELB90-40	108	82	82	0.34
50	PCF-ELB90-50	127	96	93	0.50
75	PCF-ELB90-75	178	134	132	1.30
90	PCF-ELB90-90	217	154	162	2.17
110	PCF-ELB90-110	292	181	194	3.81

Product Group: MS01

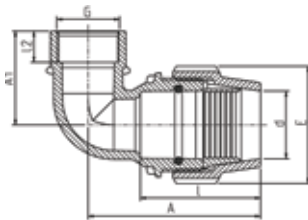
7055 - Metric Mine Elbow



Size d (mm)	Part Number	A (mm)	E (mm)	I (mm)	Weight (kg)
63	PCF-ELB90-63	151	113	110	.84

Product Group: MS01

7150 - Metric Elbow x Female BSP



Size		Part Numbers	A (mm)	A1 (mm)	E (mm)	I (mm)	I2 (mm)	Weight (kg)
d (mm)	G (inch)							
20	¾	PCF-ELB-20-20-F	78	44	48	57	19	0.07
25	¾	PCF-ELB-25-20F	81	46	54	58	19	0.08
25	½	PCF-ELB-25-15F	81	46	54	58	18	0.09
25	1	PCF-ELB-25-25F	83	50	54	58	21	0.09
32	1	PCF-ELB-32-25F	95	54	64	67	21	0.14
32	1¼	PCF-ELB-32-32F	99	60	64	67	25	0.17
40	1	PCF-ELB-40-25F	119	52	82	84	21	0.20
40	1¼	PCF-ELB-40-32F	119	62	82	84	25	0.25
40	1½	PCF-ELB-40-40F	119	62	82	84	25	0.26
50	1	PCF-ELB-50-25F	133	57	96	93	21	0.28
50	1¼	PCF-ELB-50-32F	133	67	96	93	25	0.31
50	1½	PCF-ELB-50-40F	135	66	96	93	25	0.34
50	2	PCF-ELB-50-50F	138	85	96	93	30	0.39
75	2	PCF-ELB-75-50F	188	100	134	132	30	0.81

Product Group: MS01

7155 - Metric Elbow x Female BSP



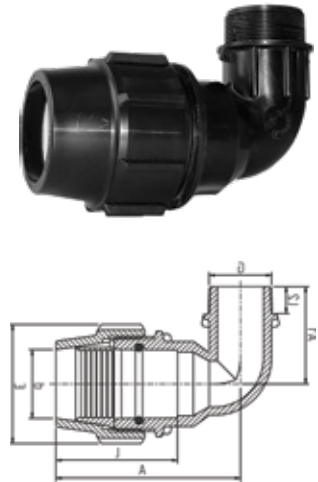
Size		Part Number	A (mm)	A1 (mm)	E (mm)	I (mm)	I2 (mm)	Weight (kg)
d (mm)	G (inch)							
63	2	PCF-ELB-63-50F	160	90	113	110	30	.56

Product Group: MS01

7850 - Metric Elbow x Male BSP

Size		Part Numbers	A (mm)	A1 (mm)	E (mm)	I (mm)	I2 (mm)	Weight (kg)
d (mm)	G (inch)							
20	20	PCF-ELB-20-20M	7	43	48	57	18	0.06
25	12	PCF-ELB-25-15M	85	47	54	17	10	0.07
25	20	PCF-ELB-25-20M	90	48	54	58	18	0.08
25	25	PCF-ELB-25-25M	90	54	54	58	20	0.08
32	25	PCF-ELB-32-25M	104	55	64	67	20	0.13
32	32	PCF-ELB-32-32M	104	58	64	67	22	0.14
40	25	PCF-ELB-40-25M	124	60	82	84	20	0.20
40	38	PCF-ELB-40-40M	124	66	82	84	22	0.22
50	38	PCF-ELB-50-40M	144	74	96	93	22	0.32
50	50	PCF-ELB-50-50M	144	76	96	93	26	0.37
75	80	PCF-ELB-75-75M	202	110	154	165	35	1.30

Product Group: MS01



7855 - Metric Mine Elbow x Male BSP

Size		Part Number	A (mm)	A1 (mm)	E (mm)	I (mm)	I2 (mm)	Weight (kg)
d (mm)	G (inch)							
63	2	PCF-ELB-63-50M	170	92	113	110	26	.52

Product Group: MS01



7060 - 45° Metric Elbow

Size d (mm)	Part Numbers	A (mm)	E (mm)	I (mm)	Weight (kg)
32	PCF-ELB45-32	92	64	67	0.19
50	PCF-ELB45-50	110	96	93	0.47
110	PCF-ELB45-110	235	181	194	3.42

Product Group: MS01



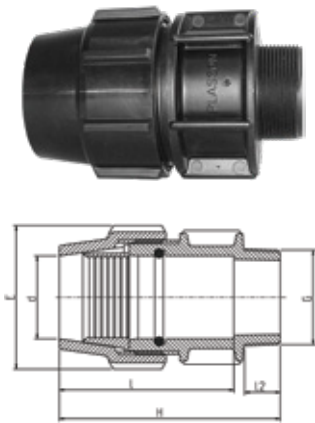
7065 - 45° Metric Mine Elbow

Size d (mm)	Part Number	A (mm)	E (mm)	I (mm)	Weight (kg)
63	PCF-ELB45-63	130	113	110	.77

Product Group: MS01



7020 - Metric Adaptor x Male BSP



Size		Part Numbers	H (mm)	E (mm)	I (mm)	I2 (mm)	Weight (kg)
d (mm)	G (inch)						
20	½	PCF-AM-20-15	92	48	71	17	0.06
20	¾	PCF-AM-20-20	92	48	71	18	0.06
20	1	PCF-AM-20-25	86	48	52	20	0.06
25	½	PCF-AM-25-15	94	54	72	17	0.07
25	¾	PCF-AM-25-20	95	54	72	18	0.07
25	1	PCF-AM-25-25	97	54	72	20	0.08
32	1	PCF-AM-32-25	107	64	83	20	0.12
32	1¼	PCF-AM-32-32	110	64	83	22	0.11
40	1	PCF-AM-40-25	118	82	91	20	0.18
40	1¼	PCF-AM-40-32	117	82	90	22	0.19
40	1½	PCF-AM-40-40	117	82	90	22	0.19
40	2	PCF-AM-40-50	123	82	91	26	0.21
50	1¼	PCF-AM-50-32	136	96	106	22	0.27
50	1½	PCF-AM-50-40	136	96	109	22	0.28
50	2	PCF-AM-50-50	140	96	109	26	0.28
75	2	PCF-AM-75-50	188	132	150	26	0.71
75	2½	PCF-AM-75-63	191	132	150	29	0.71
75	3	PCF-AM-75-75	195	132	150	33	0.72
90	2	PCF-AM-90-50	227	152	170	26	1.12
90	3	PCF-AM-90-75	232	152	170	33	1.13
110	2	PCF-AM-110-50	261	181	213	26	1.85
110	3	PCF-AM-110-75	256	181	213	34	1.85
110	4	PCF-AM-110-100	265	181	213	42	1.87

Product Group: MS01

7025 - Metric Mine Adaptor x Male BSP



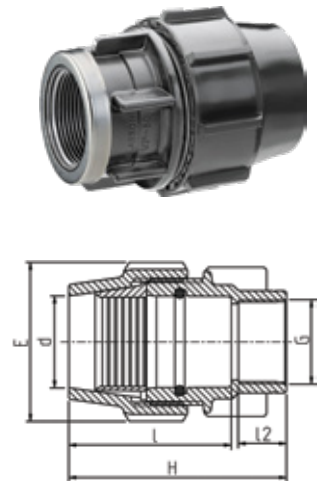
Size		Part Numbers	H (mm)	E (mm)	I (mm)	I2 (mm)	Weight (kg)
d (mm)	G (inch)						
63	1½	PCF-AM-63-40	154	113	123	22	0.45
63	2	PCF-AM-63-50	167	112	123	26	0.46
63	2½	PCF-AM-63-63	160	113	123	29	0.46

Product Group: MS01

7030 - Metric Adaptor x Female BSP

Size		Part Numbers	H (mm)	E (mm)	I (mm)	I2 (mm)	Weight (kg)
d (mm)	G (inch)						
16	½	PCF-AF-16-15	73	39	52	19	0.04
20	½	PCF-AF-20-15	82	48	60	19	0.06
20	¾	PCF-AF-20-20	82	48	60	19	0.06
20	1	PCF-AF-20-25	92	48	57	21	0.07
25	¾	PCF-AF-25-20	88	54	63	21	0.08
25	1	PCF-AF-25-25	88	54	63	21	0.08
32	1	PCF-AF-32-25	94	64	69	21	0.12
32	1¼	PCF-AF-32-32	96	64	67	25	0.14
40	1	PCF-AF-40-25	112	82	84	21	0.18
40	1½	PCF-AF-40-40	114	82	84	25	0.23
50	1½	PCF-AF-50-40	123	96	93	25	0.28
50	2	PCF-AF-50-50	128	96	93	30	0.29
75	2	PCF-AF-75-50	175	132	132	30	0.66
90	2	PCF-AF-90-50	213	154	183	30	1.14
90	3	PCF-AF-90-75	223	154	183	40	1.20
110	3	PCF-AF-110-75	261	181	213	40	1.92
110	4	PCF-AF-110-100	271	181	213	50	2.05

Product Group: MS01



7030 - Metric Mine Adaptor x Female BSP

Size		Part Number	H (mm)	E (mm)	I (mm)	I2 (mm)	Weight (kg)
d (mm)	G (inch)						
63	2	PCF-AF-63-50	148	113	110	30	.44

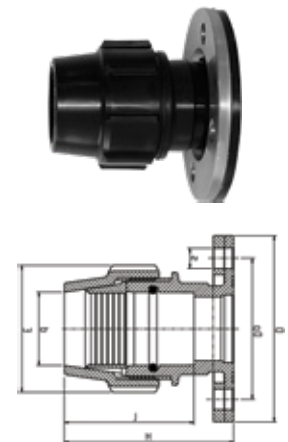
Product Group: MS01



7220 - Metric Flanged x Adaptors

Size (Table E)		Part Numbers	D (mm)	H (mm)	Dp (mm)	E (mm)	I (mm)	S (mm)	Weight (kg)
d (mm)	DN								
50	2	PCF-AFL-50-50	165	128	125	96	93	18	1.51
63	2½	PCF-AFL-50-63	165	145	125	113	110	18	1.56
75	3	PCF-AFL-75-75	185	164	145	134	152	18	2.09
90	4	PCF-AFL-90-100	220	195	180	154	183	18	3.16
110	100	PCF-AFL-110-100	220	235	180	181	222	18	3.32

Product Group: MS01



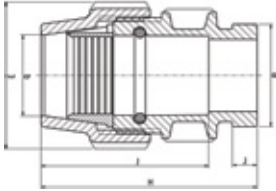
7225 - Metric Mine Flanged x Adaptors

Size		Part Number	D (mm)	H (mm)	Dp (mm)	E (mm)	I (mm)	S (mm)	Weight (kg)
d (mm)	DN								
63	2½	PCF-AFL-63-63	165	145	125	113	110	18	1.559

Product Group: MS01



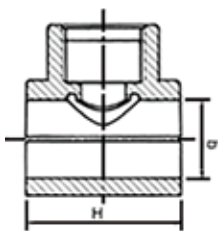
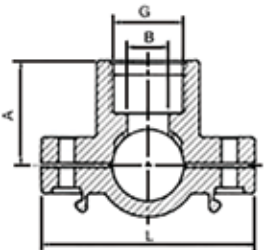
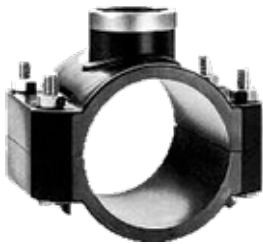
7320 - Metric Shouldered Adaptors



Size		Part Numbers	L (mm)	H (mm)	B (mm)	E (mm)	I (mm)	Weight (kg)
d (mm)	G (inch)							
50	2	PCF-ASH-50-50	16	138	67	96	109	0.29
63	2	PCF-ASH-63-50	16	156	67	113	123	0.44
90	4	PCF-ASH-90-100	16	231	123	154	170	1.21
110	4	PCF-ASH-110-100	16	255	123	181	213	1.87

Product Group: MS01

1607 - Metric Tapping Saddles



Size		Part Numbers	L (mm)	A (mm)	H (mm)	B (mm)	Weight (kg)
d (mm)	G (inch)						
32	½	PTF-SAD-32-15	92	40	60	16	0.13
32	¾	PTF-SAD-32-20	92	41	60	16	0.14
32	1	PTF-SAD-32-25	92	42	60	20	0.14
40	¾	PTF-SAD-40-20	92	46	60	19	0.14
40	1	PTF-SAD-40-25	92	49	60	25	0.15
50	¾	PTF-SAD-50-20	106	52	73	21	0.18
50	1	PTF-SAD-50-25	106	54	73	25	0.19
63	¾	PTF-SAD-63-20	116	59	84	20	0.28
63	1	PTF-SAD-63-25	116	61	84	25	0.29
63	1¼	PTF-SAD-63-32	116	66	84	32	0.31
63	1½	PTF-SAD-63-40	116	67	84	39	0.32
75	1	PTF-SAD-75-25	122	67	98	25	0.38
75	2	PTF-SAD-75-50	122	78	98	40	0.43
90	1	PTF-SAD-90-25	141	75	105	25	0.46
90	2	PTF-SAD-90-50	141	86	105	50	0.51
110	1	PTF-SAD-110-25	165	87	116	25	0.57
110	2	PTF-SAD-110-50	165	97	116	50	0.62
140	2	PTF-SAD-140-50	201	112	136	50	0.94
160	1	PTF-SAD-160-25	223	112	145	25	1.04
160	2	PTF-SAD-160-50	223	123	145	50	1.08
180	1	PTF-SAD-180-25	245	122	154	25	1.30
180	2	PTF-SAD-180-50	245	133	154	50	1.33

Product Group: MS01

7002 - Metric O-Rings

Size d (mm)	Part Numbers	Weight (kg)
50	PCF-ORING-50	0.02
63	PCF-ORING-63	0.02
110	PCF-ORING-110	0.03

Product Group: MS01



7003 - Split Rings

Size d (mm)	Part Numbers	Weight (kg)
63	PCF-SPLIT-63	0.05
110	PCF-SPLIT-110	0.15

Product Group: MS01



7004 - Metric Nuts

Size d (mm)	Part Numbers	Weight (kg)
63	PCF-NUT-63	0.17
110	PCF-NUT-110	0.74

Product Group: MS01



7005 - Metric Inserts

Size d (mm)	Part Numbers	Weight (kg)
63	PCF-INSERT-63	0.05
90	PCF-INSERT-90	0.10
110	PCF-INSERT-110	0.15

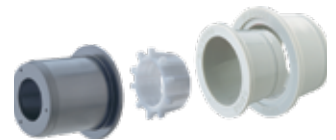
Product Group: MS01



7930 - Metric Mine Reducing Sets

Size d (mm)	Part Number	A (mm)	E (mm)	I (mm)	Weight (kg)
63	PCF-ELB45-63	130	113	110	.77

Product Group: MS01



7990 - Metric Wrenches

Size d (mm)	Part Numbers	Weight (kg)
16 X 40	PCF-SPAN-16-40	1.51
40 X 75	PCF-SPAN-40-75	1.56
63 X 125	PCF-SPAN-63-125	3.16

Product Group: MS01



Applications

- Suitable for use in general low-pressure air and water applications.

Materials

- Body: polypropylene

Pressure Rating

- PN10

Chemical Resistance

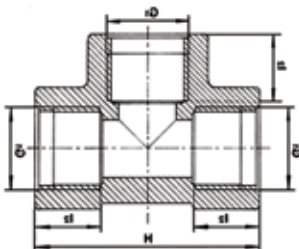
- Plasson® threaded fittings are manufactured from polypropylene for increased strength and enhanced chemical resistance

Recommendation

- We recommend the use of PTFE tape in threaded connections



5040 - BSP Tee

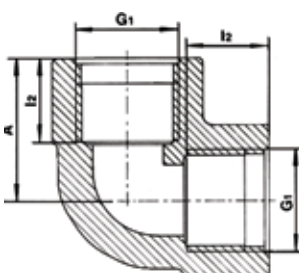


Size G1 (mm)	Part Numbers	H (mm)	I2 (mm)	Weight (kg)
12	PTF-TEE-15	64	18	.025
20	PTF-TEE-20	68	19	.039
25	PTF-TEE-25	81	21	0.61
38	PTF-TEE-40	108	25	.157
50	PTF-TEE-50	130	30	.205

Product Group: MS01



5050 - BSP Elbow



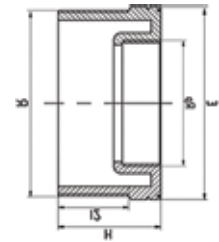
Size G1 (mm)	Part Numbers	H (mm)	I2 (mm)	Weight (kg)
12	PTF-ELB90-15	32	17	.022
20	PTF-ELB90-20	35	18	.030
25	PTF-ELB90-25	41	21	.045
32	PTF-ELB90-32	48	25	.087
38	PTF-ELB90-40	54	25	.116
50	PTF-ELB90-50	65	30	.157

Product Group: MS01

5020 - BSP Reducing Bush

Size		Part Numbers	H (mm)	I2 (mm)	E (mm)	Weight (kg)
d (mm)	Rp (mm)					
20	12	PTF-BUSH-20-15	30	17	27	.006
25	12	PTF-BUSH-25-15	32	19	26	.016
25	20	PTF-BUSH-25-20	32	19	26	.011
32	20	PTF-BUSH-32-20	37	21	46	.028
32	25	PTF-BUSH-32-25	37	21	46	.021
38	20	PTF-BUSH-40-20	37	21	50	.030
38	25	PTF-BUSH-40-25	37	21	50	.032
38	32	PTF-BUSH-40-32	37	21	50	.020
50	20	PTF-BUSH-50-20	41	25	63	.058
50	25	PTF-BUSH-50-25	41	26	63	.061
50	32	PTF-BUSH-50-32	41	26	63	.055
50	38	PTF-BUSH-50-40	41	26	63	.044
63	50	PTF-BUSH-65-50	44	29	80	.075
80	50	PTF-BUSH-80-50	48	32	90	.103
100	80	PTF-BUSH-100-80	56	41	120	.222

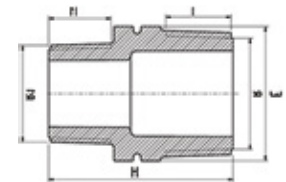
Product Group: MS01



5060 - BSP Nipple

Size R (mm)	Part Numbers	H (mm)	I2 (mm)	E (mm)	Weight (kg)
12	PTF-HN-15	47	17	22	.008
20	PTF-HN-20	49	18	27	.011
25	PTF-HN-25	55	20	36	.023
32	PTF-HN-32	60	22	46	.035
38	PTF-HN-40	61	22	50	.048
50	PTF-HN-50	71	26	65	.078

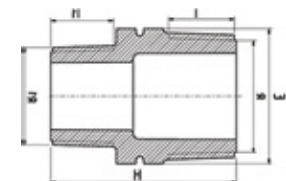
Product Group: MS01



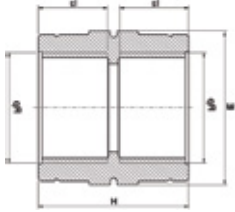
5060 - BSP Reducing Nipple

Size		Part Numbers	H (mm)	I (mm)	I1 (mm)	E (mm)	Weight (kg)
R (mm)	R1 (mm)						
20	12	PTF-HN-20-15	47	17	16	27	.010
25	12	PTF-HN-25-15	49	19	16	36	.017
25	20	PTF-HN-25-20	50	19	17	36	.018
50	25	PTF-HN-50-25	61	25	19	63	.053

Product Group: MS01



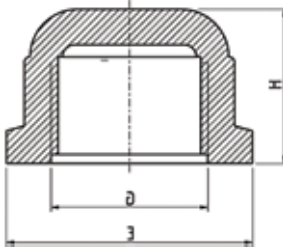
5010 - BSP Socket



Size R (mm)	Part Numbers	H (mm)	I2 (mm)	E (mm)	Weight (kg)
12	PCF-SOC-15	39	17	30	.015
20	PCF-SOC-20	41	19	36	.019
25	PCF-SOC-25	45	21	46	.031
32	PCF-SOC-32	54	25	60	.065
38	PCF-SOC-40	54	25	65	.076
50	PCF-SOC-50	66	31	75	.092

Product Group: MS01

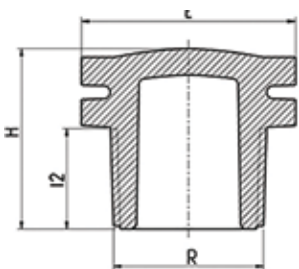
5070 - BSP End Cap



Size R (mm)	Part Numbers	H (mm)	I2 (mm)	E (mm)	Weight (kg)
20	PTF-CAP-20	26	16	42	.014
25	PTF-CAP-25	32	19	50	.027
32	PTF-CAP-32	34	22	59	.039
38	PTF-CAP-40	34	21	65	.043
50	PTF-CAP-50	39	25	80	.078

Product Group: MS01

5170 - BSP End Plug



Size R (mm)	Part Numbers	H (mm)	I2 (mm)	E (mm)	Weight (kg)
12	PTF-HP-15	29	16	27	.008
20	PTF-HP-20	31	17	32	.012
25	PTF-HP-25	34	19	36	.016
32	PTF-HP-32	38	21	46	.026
38	PTF-HP-40	39	21	55	.038
50	PTF-HP-50	45	25	65	.060

Product Group: MS01



The Right Connection®

Dixon (Asia Pacific) Pty Ltd

170 Francis Road
Wingfield SA 5013

1300 134 651

dixonvalve.com.au

South Australia, Adelaide

(Head Office)
170 Francis Road
Wingfield SA 5013

Queensland, Brisbane

6 Union Circuit
Yatala QLD 4207

Queensland, Mackay

38 John Vella Drive
Paget QLD 4740

Victoria, Melbourne

13 Commercial Drive
Dandenong VIC 3175

Western Australia, Perth

19 Baile Road
Canning Vale WA 6155

New South Wales, Sydney

15 Watsford Road
Campbelltown NSW 2560