



Industrial Valves Catalogue

Uncommon Excellence

Industrial Valves

Industrial Valves - Ball Valves 4

Brass Ball Valve - General Purpose.....	4
Brass Ball Valve - AGA Approved.....	4
Mini Ball Valves.....	5
Deadman Ball Valves.....	6
API 607 Fire Safe Certified ANSI Flange	
Ball Valves - Petrochemical.....	7
ANSI 150 and Table E Ball Valves.....	7
ANSI Flange Ball Valve - Jacketed.....	8
API 607 Fire Safe Certified SS316 Ball Valve - 2000 PSI.....	8
API 607 Fire Safe Forged Steel Ball Valve - Class 800.....	9
Gas and Watermark Certified Stainless Steel Ball Valve.....	9
Stainless Steel Ball Valve - One Piece - BSP.....	10
Stainless Steel Ball Valve - Two Piece - Female BSP.....	10
Stainless Steel Ball Valve - Two Piece - Male x Female BSP.....	11
Stainless Steel Ball Valve - Two Piece - NPT.....	11
Stainless Steel Ball Valve - Three Piece - BSP.....	12
Stainless Steel Ball Valve - Three Piece - Pneumatic Actuator.....	12
Stainless Steel Ball Valve - Three Piece - Electric Actuator.....	13
Three Way Stainless Steel Ball Valve - L & T Port.....	13
Brass Ball Valve - Three Way - L & T Port.....	14
Brass Ball Valve - Bibcock - BSPP.....	14
Ball Valve - Nozzle.....	14
Minsup® Econovalve® Ball Valves.....	15
Minsup® Econovalve® Ball Valve Lockout Device.....	17
Mining Brass (Bendigo) Water Valve.....	17

Industrial Valves - Gate Valves18

Gate Valves BSP.....	18
Gate Valves DZR Tested - Lead Free.....	18
Gate Valves Forged Steel - Class 800.....	19
Quick Acting Gate Valve.....	19
Gate Valves Shouldered - Figure GVNRS-1161.....	20
Post Indicator NRS Gate Valves Flanged.....	20
Gate Valves Grooved & Flanged.....	21
Monitored Gate Valves - Grooved & Flanged.....	21
NRS Gate Valve with Resilient Wedge.....	22
OS&Y Stainless Steel Gate Valves.....	22
OS&Y Cast Steel Gate Valves - ANSI 150.....	23
Sluice Gate Valves.....	23
T-Handle Valve Key.....	24
Hand Wheels.....	24
Knife Gate Valves.....	24

Industrial Valves - Knife Gate Valves25

Stainless Steel Knife Gate Valves.....	25
--	----

Industrial Valves - Butterfly Valves26

Minsup® Shouldered Butterfly Valves.....	26
100mm Shouldered Butterfly Valve - Lockable.....	26
Wafer & Lugged Butterfly Valves - 316 Stainless Steel.....	27
Wafer & Lugged Butterfly Valves.....	27
Watermark Lugged Wafer Butterfly Valves.....	28
High Performance Double Offset Butterfly Valve.....	28
Wafer Pneumatic Actuated Butterfly Valves.....	29
Electric Actuated Butterfly Valves.....	29
Monitored Wafer Butterfly Valves.....	30
Bronze Monitored Butterfly Valves.....	30
Grooved Monitored Butterfly Valves.....	31
Grooved Butterfly Valves with Lever & Notch Plate.....	31

Industrial Valves - Check Valves32

Wafer Check Valves Single Flap.....	32
Duo Wafer Check Valves.....	32
Duo Wafer Stainless Steel Check Valves.....	33
Bronze Swing Check Valves.....	33
Brass Swing Check Valves.....	34
Stainless Steel Swing Check Valves.....	34
Stainless Steel Swing Flanged Check Valves.....	34
Cast Steel (WCB) Swing Check Valves Flanges ANSI 150.....	35
Grooved Swing Check Valves.....	35
Ductile Iron Flanged Ball Check Valves.....	36
Class 800 Forged Steel Check Valves.....	36
Brass In-line Check Valves.....	37
3-Piece In-line Check Valves Stainless Steel.....	38
Foot Valves.....	38

Industrial Valves - Pressure Reducing Valves39

Hydraulic Control Valves.....	39
In-line Adjustable Pressure Reducing Valve - Fig NR3.....	39
Direct Acting Pressure Reducing Valve	40
Ratio Pressure Reducing Valves	40
Flanged Pressure Reducing Valve	41
Water Meter with Pulse Register.....	41
Multi Jet Water Meter.....	42
Reduced Pressure Zone Devices with Isolation - Valve & Strainer	42
Double Check Valve Device with Isolation Valve.....	42
Reduced Pressure Zone - Device Only	43
Double Check Valves - Device Only	43
Double Detector Check Valves with 20mm Bypass - Device Only	43
Single Testable Check Valve - Flanged & Grooved	44
Single Detector Check Valve with 25mm Spacer Bypass	44
Single Fireline Detector Check Valve with 25mm Metered Bypass.....	44

Industrial Valves - Globe Valves.....45

3-Way Globe Valves - Fig BH-8	45
Heavy-Duty Steam Globe Valves.....	45
Globe Valves - Stainless Steel BSP	45
OS&Y Globe Valves - Flanged ANSI 150	46
Globe Valves - Class 800 Forged Steel	46

Industrial Valves - Relief Valves.....47

High Pressure Needle Valves - Stainless Steel.....	47
Ball Float Tank Fill Valves	47
Relief Valves with Side Outlet - Fig SRV-L3P	47
Relief Valves Stainless Steel - Fig SRV-L8SP	48
Brass Solenoid Valves - Fig B35.....	48
Stainless Steel Solenoid Valves.....	48

Industrial Valves - Y Strainers.....49

Y Strainers Ductile Iron - Fig YS.....	49
Y Strainers - Brass.....	49
Y Strainers - Stainless Steel	50
Pressure Switch.....	50
Anti-Tamper Switches.....	50

Industrial Valves - Anti Tamper Switches51

Vane Type Waterflow Alarm Switches for Small Pipe	51
Amtron Anti-Tamper Supervisory Switch.....	51
Valve Wheel Spanner - Open/Close Valves	51
Chain Wheel Assembly	51
Vane Type Waterflow Alarm Switches	51

Industrial Valves.....52

Valve Selection Guide.....	52
Ball Valve.....	52
Butterfly Valve.....	52
Check Valve.....	52
Gate Valve.....	52
Globe Valve.....	52

Industrial Valves - Ball Valves

Brass Ball Valve - General Purpose

Application

- Recommended for general use with water, oil and gas.

Design

- Robust in construction
- Blow-out proof stem design

Material

- Body: nickel-plated brass with stainless steel handle
- Seat: PTFE
- Ball: chrome-plated brass
- Teflon seats, packing, and thrust washer

End Connection

- Female x female BSP

Operating Temperature

- -10°C - 110°C

Notes

- Quarter turn is "ON" or "OFF"
- The valve is fully open when the handle is parallel to the valve body
- Quarter turn the valve clockwise to make it fully shutoff



Size		Part Numbers	Working Pressure		Weight (kg)
mm	inch		PSI	Bar	
6	¼	BBVSTD006SS	362	25	0.12
10	⅜	BBVSTD010SS	362	25	0.12
15	½	BBVSTD012SS	362	25	0.20
20	¾	BBVSTD020SS	362	25	0.30
25	1	BBVSTD025SS	362	25	0.43
32	1¼	BBVSTD032SS	362	25	0.83
40	1½	BBVSTD040SS	362	25	0.95
50	2	BBVSTD050SS	362	25	2.05
65	2½	BBVSTD065SS	362	25	3.84
80	3	BBVSTD075SS	200	16	5.39
100	4	BBVSTD100SS	200	16	7.36

Product Group: AR01

Brass Ball Valve - AGA Approved

Application

- Recommended for general use with water, oil and gas.

Design

- Full bore
- Blow-out proof stem design

Material

- Body: nickel-plated brass with stainless steel handle
- Seat: PTFE
- Ball: chrome-plated brass

End Connection

- Female BSP

Operating Temperature

- -10°C - 110°C

Approvals

- AGA certified



Size		Part Numbers	Working Pressure		Weight (kg)
mm	inch		PSI	Bar	
6	¼	BBVAGA006	362	25	0.12
10	⅜	BBVAGA010	362	25	0.12
15	½	BBVAGA012	362	25	0.20
20	¾	BBVAGA020	362	25	0.30
25	1	BBVAGA025	362	25	0.43
32	1¼	BBVAGA032	362	25	0.83
40	1½	BBVAGA040	362	25	0.95
50	2	BBVAGA050	362	25	2.05

Product Group: AR01

T-Handle - Female x Female BSP

Size		Part Numbers	Working Pressure		Weight (kg)
mm	inch		PSI	Bar	
6	¼	BBVAGAT006	710	49	0.16
10	⅜	BBVAGAT010	710	49	0.16
15	½	BBVAGAT012	710	49	0.20
20	¾	BBVAGAT020	570	39	0.30
25	1	BBVAGAT025	570	39	0.43

Product Group: AR01



Lever Handle - Male x Female BSP

Operating Temperature

- 20°C - 60°C (class T2 under EN331)

Size		Part Numbers	Working Pressure		Weight (kg)
mm	inch		PSI	Bar	
15	½	BBVAGAMF012	710	49	0.20
20	¾	BBVAGAMF020	570	39	0.30
25	1	BBVAGAMF025	570	39	0.63
40	1 ½	BRBLMF040	363	25	-

Product Group: AR01



Mini Ball Valves

Application

- Domestic water services, heating and air-conditioning plants, and compressed air systems.

Design

- Full bore
- Blow-out proof stem design with chrome ball

Material

- Body: nickel-plated brass
- Seat: PTFE seat
- Ball: chrome-plated brass

End Connection

- Screwed female and male/female BSP
- ISO228 (equivalent to DIN259 and BS2779)

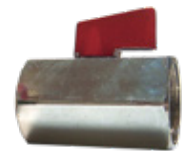
Operating Temperature

- 0°C - 90°C

Female x Female BSP

Size		Part Numbers	Working Pressure	
mm	inch		PSI	Bar
6	¼	MBVFF006	220	15
10	⅜	MBVFF010	220	15
15	½	MBVFF012	220	15
20	¾	MBVFF020	220	15

Product Group: AR01



Male x Female BSP

Size		Part Numbers	Working Pressure	
mm	inch		PSI	Bar
6	¼	MBVMF006	220	15
10	⅜	MBVMF010	220	15
15	½	MBVMF012	220	15
20	¾	MBVMF020	220	15

Product Group: AR01



Deadman Ball Valves

Application

- Used as a fail-safe closed valve for petrochemical and other media where spillage can cause damage or injury if an operator incorrectly opens the valve.

Design

- Deadman spring return ball valve
- Available in 2-piece and 3-piece

Material

- Body: 316 stainless steel
- Seat: PTFE
- Trim: CF8M (316 stainless steel)

End Connection

- Female BSP

Working Pressure

- 1000 PSI (69 bar)

Available Options

- 2-piece 2000 PSI NPT available on request



2-Piece

Size		Part Numbers
mm	inch	
12	½	SS2PSR015
20	¾	SS2PSR020
25	1	SS2PSR025
40	1½	SS2PSR040
50	2	SS2PSR050

Product Group: VS02

3-Piece

Size		Part Numbers
mm	inch	
12	½	SAS22015
20	¾	SAS22020
25	1	SAS22025
40	1½	SAS22040
50	2	SAS22050

Product Group: AR02

ANSI Flange Ball Valve - Jacketed

Application

- Bitumen, resins, polymers, paint, food products, chemicals, and pharmaceuticals.

Design

- Jacket suitable for hot oil, steam and thermal oil
- Fire safe design
- Lockable lever
- Anti-static device ISO 5211

Material

- Body: cast steel (WCB)
- Seat: PTFE

End Connection

- Flanged RF ANSI 150

Working Pressure

- 285 PSI (20 bar)

Approvals

- Fire-safe certified API 607
- Tested to BS EN 12266-I

Options

- 316 stainless steel (CF8M), 304 (CF8), 304L, 316L
- Sizes: 150mm x 100mm and 250mm x 100mm



Size		Part Numbers	Jacket Connection
mm	inch		
50 x 25	2 x 1	BVJ-50X25-WCB	12mm (½") BSP/NPT
65 x 40	2½ x 1½	BVJ-65X40-WCB	12mm (½") BSP/NPT
80 x 50	3 x 2	BVJ-80X50-WCB	12mm (½") BSP/NPT
100 x 65	4 x 2½	BVJ-100X65-WCB	12mm (½") BSP/NPT
100 x 80	4 x 3	BVJ-100X80-WCB	12mm (½") BSP/NPT

Product Group: VS02

API 607 Fire Safe Certified SS316 Ball Valve - 2000 PSI

Application

- Petroleum, oil and gas, low-pressure saturated steam, mining, and general services.

Design

- 3-piece
- Full bore ASME B16.34
- ISO top
- Locking lever

Material

- Body: 316 stainless steel (ASTM A351 CF8M)
- Seat: R-PTFE (25% carbon fibre)
- Ball: 316 stainless steel
- Stem: A276 316

End Connection

- Female BSP or NPT

Temperature

- -29°C - 180°C

Working Pressure

- 2000 PSI CWP (138 bar)

Approvals

- Fire-safe certified API 607

Options

- Socket weld
- Pneumatic and electric actuation



Size		Part Numbers	
mm	inch	BSP	NPT
12	½	SS3PFSB-015	SS3PFSN-015
20	¾	SS3PFSB-020	SS3PFSN-015
25	1	SS3PFSB-025	SS3PFSN-015
32	1¼	SS3PFSB-032	SS3PFSN-015
40	1½	SS3PFSB-040	SS3PFSN-015
50	2	SS3PFSB-050	SS3PFSN-015

Product Group: VS02

API 607 Fire Safe Forged Steel Ball Valve - Class 800

Application

- Petroleum, oil and gas, low-pressure saturated steam, mining, and industrial applications.

Design

- Class 800 forged steel BS5351, API 598, ASME B1.20.1
- Full bore

Material

- Body: 3-piece forged steel (ASTM A 105N)
- Seat: R-PTFE
- Ball: 304 stainless steel
- Stem: A276 420

End Connection

- Female BSP/NPT or socket weld

Temperature

- 15°C - 180°C

Working Pressure

- 1975 PSI CWP (136 bar)

Approvals

- Fire-safe certified API 607

Size		Part Numbers		
mm	inch	BSP	NPT	Socket Weld
12	½	FSBVB-015	FSBVN-015	FSBVSU-015
20	¾	FSBVB-020	FSBVN-020	FSBVSU-020
25	1	FSBVB-025	FSBVN-025	FSBVSU-025
32	1¼	FSBVB-032	FSBVN-032	FSBVSU-032
40	1½	FSBVB-040	FSBVN-040	FSBVSU-040
50	2	FSBVB-050	FSBVN-050	FSBVSU-050

Product Group: VB01



Gas and Watermark Certified Stainless Steel Ball Valve

Lockable - Two Piece - BSP

Application

- Dual approved for gas (AGA) and watermark certified, this is a one-solution valve replacing six other common ranges of ball valves, with a high working pressure and suitable for use in a wide variety of markets. The floating ball is permitted to smoothly rotate on the seats, ensuring a low torque on open/close action. Will not corrode and can be locked in an open or closed position.

Design

- 2-piece
- Locking device
- Full bore
- Isolating ball valve

Material

- Body: 304 stainless steel (CF8)
- Seat: PTFE
- Ball: 304 stainless steel (CF8)
- Lever: 304 stainless steel (CF8)

End Connection

- Female BSP

Working Pressure

- 1000 PSI CWP (69 bar)

Approvals

- AGA and Watermark

Size		Part Numbers
mm	inch	
6	¼	SS2CF8-08MM
10	⅜	SS2CF8-10MM
12	½	SS2CF8-12MM
20	¾	SS2CF8-20MM
25	1	SS2CF8-25MM
32	1¼	SS2CF8-32MM
40	1½	SS2CF8-40MM
50	2	SS2CF8-50MM
65	2½	SS2CF8-65MM
80	3	SS2CF8-80MM
100	4	SS2CF8-100MM

Product Group: VS02



Industrial Valves - Ball Valves

Stainless Steel Ball Valve - One Piece - BSP 1000 PSI - Watermark Certified

Application

- For use with air, water, oil and gas and most chemicals that are compatible with body and trim.

Design

- 1-piece
- Locking device
- Standard port

Material

- Body: 316 stainless steel (CF8M)
- Seat: PTFE

End Connection

- Female BSP

Working Pressure

- 1000 PSI CWP (69 bar)

Approvals

- Watermark



Size		Part Numbers
mm	inch	
6	¼	SS1P-06MM
10	⅜	SS1P-10MM
12	½	SS1P-12MM
20	¾	SS1P-20MM
25	1	SS1P-25MM
32	1¼	SS1P-32MM
40	1½	SS1P-40MM
50	2	SS1P-50MM

Product Group: VS02

Stainless Steel Ball Valve - Two Piece - Female BSP 1000 PSI - AGA & Watermark Certified

Application

- For use with air, water, oil and gas and fluids that are compatible with body and trim.

Design

- 2-piece
- Locking device
- Full bore

Material

- Body: 316 stainless steel (CF8M)
- Seat: PTFE

End Connection

- Female BSP

Working Pressure

- 1000 PSI CWP (69 bar)

Approvals

- AGA and Watermark



Size		Part Numbers
mm	inch	
6	¼	SS2P-08MM
10	⅜	SS2P-10MM
12	½	SS2P-12MM
20	¾	SS2P-20MM
25	1	SS2P-25MM
40	1½	SS2P-40MM
50	2	SS2P-50MM
65	2½	SS2P-65MM
80	3	SS2P-80MM
100	4	SS2P-100MM

Product Group: VS02

Stainless Steel Ball Valve - Two Piece - Male x Female BSP 1000 PSI - AGA & Watermark Certified

Application

- For use with air, water, oil, gas, and most chemicals that are compatible with body and trim.

Design

- 2-piece
- Locking device
- Full bore

Material

- Body: 316 stainless steel (ASTM A351 CF8M)

Working Pressure

- 1000 PSI CWP for water, oil and gas, and fluids that are compatible with body and trim

Approvals

- AGA and Watermark

End Connection

- Male x female BSP

Size		Part Numbers
mm	inch	
6	¼	SS2P-MF-08MM
10	⅜	SS2P-MF-10MM
12	½	SS2P-MF-15MM
20	¾	SS2P-MF-20MM
25	1	SS2P-MF-25MM
32	1¼	SS2P-MF-32MM
40	1½	SS2P-MF-40MM
50	2	SS2P-MF-50MM

Product Group: VS02



Stainless Steel Ball Valve - Two Piece - NPT 1000 PSI & 2000 PSI

Application

- For use with air, water, oil, gas, and most chemicals where compatible with body and trim.

Design

- 2-piece
- Locking device
- Full bore

Material

- Body: 316 stainless steel (ASTM A351 CF8M)
- Ball: 316 stainless steel (ASTM A351 CF8M)
- Seat: PTFE

End Connection

- Female NPT

Pressure

For water, oil and gas, and fluids that are compatible with body and trim

- 1000 PSI CWP
- 2000 PSI CWP

Size		Part Numbers	
mm	inch	1000 PSI	2000 PSI
12	½	SS2P-15NPT	SS2P015-SL
20	¾	SS2P-20NPT	SS2P020-SL
25	1	SS2P-25NPT	SS2P025-SL
32	1¼	SS2P-32NPT	SS2P032-SL
40	1½	SS2P-40NPT	SS2P040-SL
50	2	SS2P-50NPT	SS2P050-SL

Sizes upto 4" NPT 1000 PSI available on request

Product Group: AR02



Industrial Valves - Ball Valves

Stainless Steel Ball Valve - Three Piece - BSP 1000 PSI - Watermark Certified

Application

- For use with air, water, oil, gas, and most chemicals that are compatible with body and trim.

Design

- 3-piece
- Full bore

Material

- Body: 316 stainless steel
- Seat: PTFE

End Connection

- Screwed female BSP

Working Pressure

- 1000 PSI CWP (69 bar)

Approvals

- Watermark

Available Connection Options

- Female NPT
- Butt and socket weld
- ISO 5211 mount for actuation



Size		Part Numbers
mm	inch	
12	½	SS3P-12MM
20	¾	SS3P-20MM
25	1	SS3P-25MM
32	1¼	SS3P-32MM
40	1½	SS3P-40MM
50	2	SS3P-50MM
65	2½	SS3P-65MM
75	3	SS3P-75MM
100	4	SS3P-100MM

Product Group: VS02

Stainless Steel Ball Valve - Three Piece - Pneumatic Actuator

Application

- Most fluid applications and air or gas where compatible with the valve, body, and trim.

Design

- 3-piece
- Full bore
- Fitted with double acting and spring return actuator

Material

- Body: 316 stainless steel (ASTM A351 CF8M)

End Connection

- Female BSP or NPT

Working Pressure

- 1000 PSI (69 bar)
- Actuator requires a minimum of 80 PSI (5.5 bar) air pressure

Approvals

- Watermark
- ISO 5211 (mounting plate)

Available Control Options

- Namur solenoid valves
- Limit switch box
- Proximity switch box
- Electro-pneumatic
- Smart digital positioners
- Air filter/regulators
- Speed controllers and silencers



Size		Part Numbers	
mm	inch	Double Acting	Spring Return
12	½	SS3P015-ACT-DA	SS3P015-ACT-SR
20	¾	SS3P020-ACT-DA	SS3P020-ACT-SR
25	1	SS3P025-ACT-DA	SS3P025-ACT-SR
32	1¼	SS3P032-ACT-DA	SS3P032-ACT-SR
40	1½	SS3P040-ACT-DA	SS3P040-ACT-SR
50	2	SS3P050-ACT-DA	SS3P050-ACT-SR
65	2½	SS3P065-ACT-DA	SS3P065-ACT-SR
80	3	SS3P080-ACT-DA	SS3P080-ACT-SR
100	4	SS3P100-ACT-DA	SS3P100-ACT-SR

Product Group: VS02

Stainless Steel Ball Valve - Three Piece - Electric Actuator

Application

- For use with air, water, oil, gas, and most chemicals that are compatible with body and trim.

Design

- 3-piece
- Full bore
- 240AC actuator open/shut

Material

- Valve body: 316 stainless steel
- Actuator body: hard anodised aluminium - IP67
- Seat: PTFE

End Connection

- Female BSP

Available Options

- 110V AC, 24V AC, 24V DC

Size		Part Numbers
mm	inch	
12	½	SS3P015-EA
20	¾	SS3P020-EA
25	1	SS3P025-EA
32	1¼	SS3P032-EA
40	1½	SS3P040-EA
50	2	SS3P050-EA
65	2½	SS3P065-EA
80	3	SS3P080-EA
100	4	SS3P100-EA



Product Group: VS02

Three Way Stainless Steel Ball Valve - L & T Port

Application

- For use with air, water, oil and gas and most chemicals that are compatible with body and trim.

Design

- Lever operated
- Locking device
- Blow-out proof stem
- ISO 5211 mounting

Material

- Body: 316 stainless steel (ASTM A351 CF8M)
- Ball: 316 stainless steel (ASTM A351 CF8M)
- Seat: PTFE

End Connection

- Female BSP

Working Pressure

- 1000 PSI (69 bar)

Approvals

- Watermark

Size		Part Numbers	
mm	inch	L port	T port
12	½	SS3WL012	SS3WT012
20	¾	SS3WL020	SS3WT020
25	1	SS3WL025	SS3WT025
32	1¼	SS3WL032	SS3WT032
40	1½	SS3WL040	SS3WT040
50	2	SS3WL050	SS3WT050



Product Group: AR02

Industrial Valves - Ball Valves

Brass Ball Valve - Three Way - L & T Port

Application

- For use with air, water, oil and gas, and most chemicals that are compatible with body and trim.

Design

- Lever operated

Material

- Body: nickel plated brass
- Seat: PTFE

End Connection

- Female BSP



Temperature

- Air: -15°C to 150°C
- Water: 0°C to 150°C without steam

Working Pressure

- 360 PSI (25 bar)

Size		Part Numbers	
mm	inch	L port	T port
6	¼	BBV3WL006	BBV3WT006
10	⅜	BBV3WL010	BBV3WT010
12	½	BBV3WL012	BBV3WT012
20	¾	BBV3WL020	BBV3WT020
25	1	BBV3WL025	BBV3WT025
32	1¼	BBV3WL032	BBV3WT032
40	1½	BBV3WL040	BBV3WT040
50	2	BBV3WL050	BBV3WT050

Product Group: AR01

Brass Ball Valve - Bibcock - BSPP

Application

- Use for water and irrigation.

Design

- Lever tap operated

Material

- Body: nickel plated brass



End Connection

- ISO228 (equivalent to DIN259 and BS2779)

Temperature

- -20°C to 80°C

Working Pressure

- 220PSI (15 bar)

Size		Part Numbers
mm	inch	
12 x 20	½ x ¾	BB015020
20 x 20	¾ x ¾	BB020

Product Group: FP08

Ball Valve - Nozzle

Application

- Used for washdown applications in mining, construction, industrial, and process industries.

Design

- Lever tap operated

Material

- Brass and stainless steel



Brass



SS316

End Connection

- 20mm (¾") hose tail

Temperature

- -10°C to 110°C

Working Pressure

- 232 PSI (16 bar)

Size		Part Numbers	
mm	inch	Brass	Stainless Steel
20	¾	FFS-HRN-BALL	BEW/10205

Product Group: FP08

Minsup® Econo Valve® Ball Valves



Application

- This is a general-purpose ball valve suitable for air and water applications in the mining industry. Solid construction with a unique one-piece ball and stem provide a positive on/off action. In-line maintenance is easy for the top-loading 20mm (¾") and 25mm (1") design, and the 3-piece 40mm (1½") and 50mm (2") design.

Design

- 1-piece ball and stem

Material

- Body: SG iron ISO 1083; 400-250-15, zinc plated AS1789
- Seal: Nitrile Butadiene
- Handle: ¾" and 1" pressed mild steel
- Handle: 1½" and 2" SG iron ISO 1083; 400-250-15
- Ball and Stem: SG Iron ISO 1083; 400-250-15 and copper, chrome-plated to AS1192
- Bolts: hex, M10 x 1.5 x 90, grade 8.8 black
- Nuts: hex, M10 x 1.5, zinc plated, grade 8

Working Pressure

- ½" to 2" - 300 PSI

Safety Rating

- 2:1

Temperature

- 20°C to 80°C

Female x Female BSP

Size		Part Numbers		Working Pressure (PSI)
mm	inch	Standard	with Lockout	
12	½	-	08/062/03/000	300
20	¾	-	08/062/114/00LO	300
25	1	08/062/113/00	08/062/113/00LO	300
40	1½	-	08/062/847/00LO	300
50	2	08/062/848/00	08/062/848/00LO	300

Product Group: AB01



Female x Female NPT

Size		Part Number		Working Pressure (PSI)
mm	inch	Standard	with Lockout	
25	1	-	08/062/102/00LO	300

Product Group: AB01

Minsup® A-Type x A-Type

Size		Part Numbers		Working Pressure (PSI)
mm	inch	Standard	with Lockout	
25	1	08/062/110/00	08/062/110/00LO	300

Product Group: AB01



Female BSP x Minsup® A-Type

Size		Part Number		Working Pressure (PSI)
mm	inch	Standard	with Lockout	
25	1	-	08/062/104/00LO	300

Product Group: AB01



Industrial Valves - Ball Valves



Female BSP x Shouldered

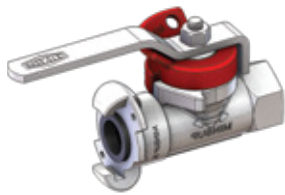
Size		Part Number		Working Pressure (PSI)
mm	inch	Standard	with Lockout	
25	1	08/062/118/00	08/062/118/00LO	300

Product Group: AB01



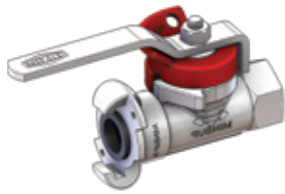
Minsup® Surelock® x Female BSP

to suit Surelock® 10mm (3/8") to 32mm (1 1/4")



Size		Part Number		Working Pressure (PSI)
mm	inch	with Lockout		
25	1	08/062/172/00LO		300

Product Group: AB01

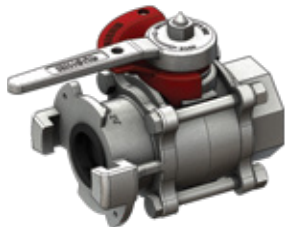


Minsup® Surelock® x Female NPT

to suit Surelock® 10mm (3/8") to 32mm (1 1/4")

Size		Part Number		Working Pressure (PSI)
mm	inch	with Lockout		
25	1	08/062/108/00LO		300

Product Group: AB01



Minsup® Surelock® x Female BSP

to suit Surelock® 40mm (1 1/2") to 50mm (2")

Size		Part Number		Working Pressure (PSI)
mm	inch	with Lockout		
50	2	08/062/868/00LO		300

Product Group: AB01



Female BSP x Shouldered

Size		Part Number		Working Pressure (PSI)
mm	inch	with Lockout		
50	2	08/062/56/00LO		300

Product Group: AB01



Shouldered x Shouldered

Size		Part Number		Working Pressure (PSI)
mm	inch	with Lockout		
50	2	08/062/849/00LO		300

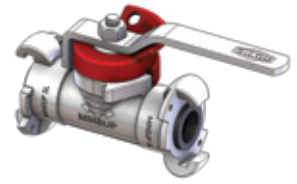
Product Group: AB01

Minsup® Surelock® x Surelock®

to suit Surelock® 10mm (3/8") to 32mm (1 1/4")

Size		Part Number with Lockout	Working Pressure (PSI)
mm	inch		
25	1	08/062/111/00LO	300

Product Group: AB01



Minsup® Surelock® x Surelock®

to suit Surelock® 40mm (1 1/2") to 50mm (2")

Size		Part Number with Lockout	Working Pressure (PSI)
mm	inch		
50	2	08/062/869/00LO	300

Product Group: AB01



Minsup® Econovalve® Ball Valve Lockout Device

Application

- Designed to retrofit all existing Minsup® Econovalve® configurations. Easy to install. Lock open/lock closed.

Material

- Body: SG iron ISO 1083; 400-250-15, zinc plated AS1789

Approvals

- Design registration 20061456

Size		Part Numbers	Description
mm	inch		
25	1	ELOK100C	To suit 20mm (3/4") and 25mm (1")
50	2	ELOK200C	To suit 40mm (1 1/2") and 50mm (2")

Product Group: AB01



ELOK100C

Mining Brass (Bendigo) Water Valve

Application

- Mining water valves or bendigo valves, protect air leg rock drills from dirty mine water by utilising a filter mesh to ensure tools are protected from foreign matter.

Design

- A forged body
- T-handle

Material

- Body: brass

End Connection

- 12mm (1/2") male BSP

Size		Part Number	Description
mm	inch		
12	1/2	05/062/01/000	Male BSP x Male BSP

Product Group: AR01



Gate Valves BSP

Application

- Brass valves are ideal for pumping, irrigation, light industrial, domestic, and rural water and oil services. 316 stainless steel valves are suitable for water, oil, and fluids that are compatible with the valve body material and trim.

Design

- Iron handwheel
- Adjustable packing nut
- Integral seat



Brass



Stainless Steel

End Connection

- Female BSP

Working Pressure

- Brass: 232 PSI CWP (16 bar)
- Stainless steel: 200 PSI (14 bar)

Temperature

- Brass at -20°C to 120°C
- S316 at -20°C to 232°C

Size		Part Numbers	
mm	inch	Brass	316 Stainless Steel
12	½	GV050B	SGV-015
20	¾	GV075B	SGV-020
25	1	GV100B	SGV-025
32	1¼	GV125B	SGV-032
40	1½	GV150B	SGV-040
50	2	GV200B	SGV-050
65	2½	GV250B	-
80	3	GV300B	-
100	4	GV400B	-

Product Group: VB04

Product Group: VS02

Gate Valves DZR Tested - Lead Free

Application

- Used for industrial, pneumatic, hydraulic and HVAC.

Design

- Iron handwheel
- Adjustable packing nut
- Integral seat

Material

- Body: DZR brass
- Wedge: DZR brass solid wedge disc

End Connection

- Female BSP

Working Pressure

- 362 PSI (25 bar)

Temperature

- -20°C - 120°C

Approvals

- Complies with AS1628
- Watermark approved LIC
- Lead free certification - AS3718 - 2021



Size		Part Numbers
mm	inch	
12	½	V15GVT
20	¾	V20GVT
25	1	V25GVT
32	1¼	V32GVT
40	1½	V40GVT
50	2	V50GVT
65	2½	V65GVT
80	3	V80GVT
100	4	V100GVT

Product Group: VB05

Gate Valves Forged Steel - Class 800

Application

- Used for petroleum, oil, gas, and low-pressure steam.

Design

- Class 800 forged steel BS5351
- API 602
- ASME B1.201

Features

- OS&Y
- Bolted bonnet
- Solid wedge

Material

- Body: forged steel - ASTM A 105N
- Seat: ASTM A276 420
- Wedge and Stem: ASTM A182 F6a

Working Pressure

- 1975 PSI (136 bar)

End Connection

- Female BSP/NPT and socket weld

Temperature

- 20°C to 380°C

Available Options

- SS316 available in screwed NPT
- Class 1500 available in NPT ends

Size		Part Numbers		
mm	inch	BSP	NPT	Socket Weld
12	½	FSGVB-015	FSGVN-015	FSGVB-SW-015
20	¾	FSGVB-020	FSGVN-020	FSGVB-SW-020
25	1	FSGVB-025	FSGVN-025	FSGVB-SW-025
32	1¼	FSGVB-032	FSGVN-032	FSGVB-SW-032
40	1½	FSGVB-040	FSGVN-040	FSGVB-SW-040
50	2	FSGVB-050	FSGVN-050	FSGVB-SW-050

Product Group: VF08



Quick Acting Gate Valve

Application

- Used for quick discharge and shut off for water, air, gas, and fluids that are compatible with valve body and trim.

Features

- Anticlog
- Full flow

Material

- Body: brass
- Seat and stem: brass

Working Pressure

- DN80 and DN100: 145 PSI (10 bar)
- DN150: 116 PSI (8 bar)

End Connection

- Female BSP (ISO 228/1)
- Female NPT (ANSI B1.20.1)

Temperature

- 20°C (without liquid) to 90°C

Available Options

- Valve with square flange/threaded configuration

Size		Part Numbers	
mm	inch	NPT	BSP
80	3	GV-QA-080	GV-QA-080B
100	4	GV-QA-100	GV-QA-100B
150	6	GV-QA-150	GV-QA-150B

Product Group: VB04



Gate Valves Shouldered - Figure GVNR-S-1161

Application

- Used for mining in water and slurry applications.

Design

- Non-rising stem
- Shoulder dimensions are made in accordance with metric pipe

- Conforms to BS5150 - PN20 rated

Material

- Body: ductile iron
- Stem: stainless steel
- Seat: bronze
- Wedge: cast iron

End Connection

- Shouldered



Size		Part Numbers	Face-to-Face (mm)
mm	inch		
100	4	GVNR-S-1161-100	229
150	6	GVNR-S-1161-150	292

Product Group: VC05

Post Indicator NRS Gate Valves Flanged

Application

- Fire protection and distribution services for water, sewage and neutral liquids.

Design

- Non-rising stem

Material

- Body: ductile iron - ASTM A536
- Wedge: ductile iron, EPDM encapsulated

Temperature

- 0.6°C to 80°C

Pressure

- 300 PSI CWP (20 bar)

Approvals

- UL/FM, NSF certified; lead free

End Connection

- Flanged standard ASME B16.1 drilled Table E

Available Options

- Grooved ends
- Flange: ANSI 150, BS PN16



Size		Part Numbers	Face-to-Face (mm)
mm	inch		
65	2½	VF-GVNR-RW-065E	190
80	3	VF-GVNR-RW-080E	203
100	4	VF-GVNR-RW-100E	229
150	6	VF-GVNR-RW-150E	267
200	8	VF-GVNR-RW-200E	292
250	10	VF-GVNR-RW-250E	330
300	12	VF-GVNR-RW-300E	356

Product Group: VC02

Indicator Post

Size		Part Number
mm	inch	
65-300	2½ - 12	VF-PI

Product Group: VC02

Gate Valves Grooved & Flanged

Application

- For water, sewage and neutral liquids. Bubble tight shut off. Suitable for fire protection and distribution services.

Design

- Resilient seated EPDM encapsulated wedge
- OS&Y

Material

- Body: ductile iron

End Connection

- Roll grooved
- Flanged Table E

Pressure

- 300 PSI (14/21 bar) @ -0.6°C to 52°C
- 1200 PSI (14/21 bar) @ -0.6°C to 52°C

Approvals

- UL/FM approved

Size		Part Numbers		Face-to-Face (mm)	Pipe OD (mm)
mm	inch	Roll Grooved	Flanged Table E		
65	2½	-	VG172-OSY-E65	190	76.1
80	3	VG172-OSY-G80	VG172-OSY-E80	203	88.9
100	4	VG172-OSY-G100	VG172-OSY-D100 ¹	229	114.3
100	4	-	VG172-OSY-E100 ¹	229	165.1
150	6	VG172-OSY-G150	VG172-OSY-E150	267	165.1
200	8	VG172-OSY-G200	VG172-OSY-E200	292	219.1
250	10	VG172-OSY-G250	VG172-OSY-E250	330	273.1
300	12	-	VG172-OSY-E300	356	323.9

Product Group: VC03 Product Group: VC02



Monitored Gate Valves - Grooved & Flanged

Application

- For water, sewage and neutral liquids. Bubble tight shut off. Suitable for applications where valves with supervisory switches are required, for example, fire distribution services.

Design

- Rising stem OS&Y

Material

- Body: ductile iron with resilient EPDM wedge

End Connection

- Roll grooved
- Flanged Table E

Monitored Device

- Class B - UL/FM

Approvals

- UL/FM approved

Notes

- Supplied with an anti-tamper switch to be installed on-site

Size		Part Numbers		Face-to-Face (mm)	Pipe OD (mm)
mm	inch	Roll Grooved	Flanged Table E		
80	3	VG172-OSYG80ATS	-	203	88.9
100	4	VG172-OSYG100ATS	VG172-OSYE100ATS	229	114.3
150	6	VG172-OSYG150ATS	VG172-OSYE150ATS	267	165.1
200	8	VG172-OSYG200ATS	VG172-OSYE200ATS	292	219.1
250	10	-	VG172-OSYE250ATS	330	273.1
300	12	-	VG172-OSYE300ATS	356	323.9

Product Group: VC04



NRS Gate Valve with Resilient Wedge

Application

- For water, sewage and neutral liquids.

Design

- Non-rising stem

Material

- Body: ductile iron
- Stem: stainless steel
- Fusion bonded epoxy coated

End Connection

- Flanged AS4087 Table D

Temperature

- -0°C to 80°C

Pressure

- 232 PSI (16 bar)

Approvals

- Designed and tested to AS2638.2 and BS5163
- Watermark



Size		Part Numbers	Face-to-Face (mm)
mm	inch		
65	2½	GVNR-RW-1161-65	190
80	3	GVNR-RW-1161-80	203
100	4	GVNR-RW-1161-100	229
150	6	GVNR-RW-1161-150	267
200	8	GVNR-RW-1161-200	292
250	10	GVNR-RW-1161-250	330
300	12	GVNR-RW-1161-300	356

Product Group: VC05

OS&Y Stainless Steel Gate Valves

Application

- Used for water, oil, gas, and petroleum products and fluids suitable with the body material and trim.

Design

- API 600/ASME B1634

Material

- Body: 316 stainless steel

End Connection

- Flanged ANSI 150LB is standard

Pressure

- 285 PSI (20 bar)

Available Options

- Drilled Table D/E up to 150NB
- Cast steel in 150# and 300# ANSI



Size		Part Numbers	Face-to-Face (mm)
mm	inch		
65	2½	VGA-150-065	190
80	3	VGA-150-080	203
100	4	VGA-150-100	229
150	6	VGA-150-150	267
200	8	VGA-150-200	292
250	10	VGA-150-250	330
300	12	VGA-150-300	356

Product Group: VS02

OS&Y Cast Steel Gate Valves - ANSI 150

Application

- Petrochemical, oil and gas, mining, power and general services.

Design

- ANSI 150 cast steel
- OS&Y - ASME B16.34 and API 600

Features

- OS&Y
- Bolted bonnet
- Full bore
- Solid wedge

Material

- Body: cast steel
- DN50 - DN300: ASTM A216 WCB
- DN15 - DN40: ASTM 105

End Connection

- Flanged ANSI 150#

Working Pressure

- 285 PSI CWP (20 bar)

Trim and Seat

- Seat ring and stem: 2Cr13
- Disc: 2Cr13 + STL

Available Options

- Sizes in ½" to 1½" ANSI 150
- ANSI 300 and 600 available in gate, globe and check valves

Size		Part Numbers	Face-to-Face (mm)
mm	inch		
50	2	VGA-CS-150-050	178
65	2½	VGA-CS-150-065	190
80	3	VGA-CS-150-080	203
100	4	VGA-CS-150-100	229
150	6	VGA-CS-150-150	267
200	8	VGA-CS-150-200	292
250	10	VGA-CS-150-250	330
300	12	VGA-CS-150-300	356

Product Group: VF08



Sluice Gate Valves

Application

- Used for potable water, wastewater, sewage and neutral fluids that are compatible with body and trim materials.

Design

- Spindle cap operated and clockwise closing
- Bubble-tight shut-off
- AS2638.2

Material

- Body: ductile iron flange - FBE coated body
- Wedge: EPDM encapsulated - resilient seated to AS2638.2

End Connection

- Flanged Table D - AS2129

Temperature

- Pressure temperature rating 232 PSI at 70°C

Approvals

- Certified to AS2638.2
- WSSA approved

Size		Part Numbers	Face-to-Face (mm)
mm	inch		
80	3	V57SV-80	203
100	4	V57SV-100	229
150	6	V57SV-150	267
200	8	V57SV-200	292
250	10	V57SV-250	330
300	12	V57SV-300	356

Product Group: VC01



T-Handle Valve Key

Application

- Fabricated T-handle valve key used to open spindle cap operated sluice valves that are installed in points in the ground. These keys can be fabricated to customer requirements if required.



Part Number	Overall Length (mm)
FKG-VK	900

Product Group: FG01

Hand Wheels

Application

- To suit AS2638.2 sluice/galve valves.

Material

- Ductile iron



Size		Part Numbers
mm	inch	
100 and 150	4 and 6	V57SVHW-100
200	8	V57SVHW-200
250 and 300	10 and 12	V57SVHW-300

Product Group: VC01

Knife Gate Valves

Application

- Water, slurry, and sewage.

Features

- Full 316 stainless steel lugged Table D valves are uni-directional
- Ductile iron semi-lugged valves are bi-directional

Material

- Body: 316 stainless steel and cast ductile iron
- Knife: 316 stainless steel and 304 stainless steel in the cast iron body

End Connection

- SS316 Lugged Table D is standard
- Ductile iron wafer semi-lugged Table D/E available in some sizes

Working Pressure

- 145 PSI (10 bar)

Available Options

- Sizes up to 600mm available on request
- Cylinders and electric actuators available on request



Size		Part Numbers		
mm	inch	Stainless Steel Lugged Table D Metal Seat	Ductile Iron Body Wafer Semi-Lugged Soft Seat NBR	Stainless Steel Lugged Table E Metal Seat
80	3	VKG-080-SS	VKG-080	-
100	4	VKG-100-SS	VKG-100	-
150	6	VKG-150-SS	VKG-150	BKGV-E316-MM-150
200	8	VKG-200-SS	VKG-200	BKGV-E316-MM-200
250	10	VKG-250-SS	VKG-250	BKGV-E316-MM-200
300	12	VKG-300-SS	VKG-300	-

Product Group: VC05

Stainless Steel Knife Gate Valves

Application

- The Dixon™ VKG series is a robust uni-directional stainless steel knife gate valve suitable for a wide range of industries including water, wastewater, mining, wineries, pulp and paper and aquaculture applications. The unique design of the VKG series is perfect for low-pressure applications. Double-row thrust bearings for smooth operation and a hardened chrome-plated 316 stainless steel gate with a PTFE seat, provides the VKG series with the strength and diversity to handle a multitude of applications.

Features

- Size range DN50 - DN1200
- Special replaceable seat
- Roller bearings in stainless steel housing on all sizes
- Fully lugged to suit AS4087 Class 16, Table D
- Stainless steel stem protection tube
- Gearbox included on DN450 and above
- Stainless steel safety guards
- A special adjustable gate guide ensures no leakage
- PTFE seat as standard
- Temperature range up to 200°C (depending on the seat)

Dixon Brand Manual (hand wheel operated)

- Include stainless steel gate guard and stainless steel stem cover as standard

Dixon Brand Actuated (double acting)

- Includes 24VDC solenoid valve, proximity switches and air filter regulator as standard

Pressure Rating

- DN50 to DN250 - 10 Bar (150 PSI)
- DN300 to DN450 - 7 Bar (90 PSI)
- DN500 to DN600 - 4 Bar (60 PSI)

Maximum Temperature Rating

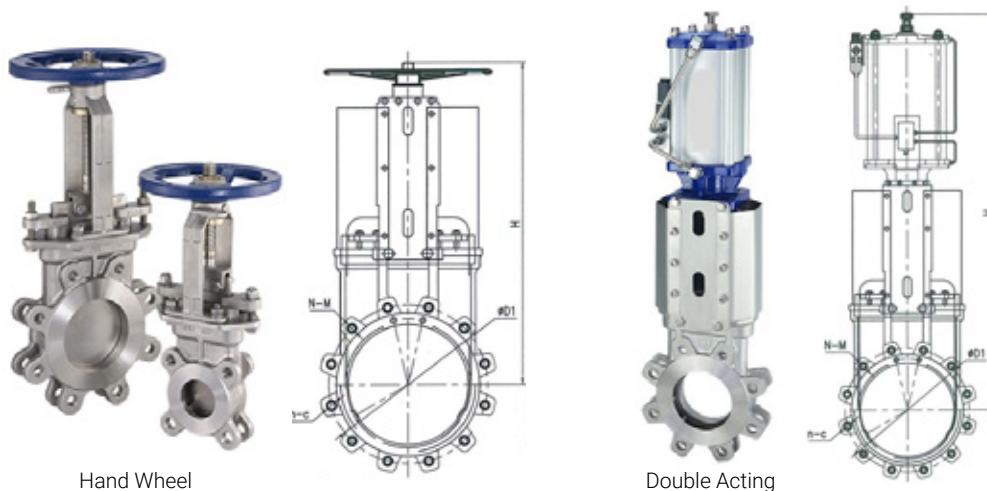
- 180°C PTFE (standard)
- 200°C FKM (optional)
- 120°C EPDM (optional)
- 90°C NBR (optional)
- 200°C Metal (selected sizes)

Approvals

- MSS SP-81

Size		Part Numbers	
mm	inch	Hand Wheel	Double Acting Lugged T/D
50	2	VKG-050-RS-SS	-
65	2½	VKG-065-RS-SS	-
80	3	VKG-080-RS-SS	VKG-080-SS-ACT
100	4	VKG-100-RS-SS	VKG-100-SS-ACT
150	6	VKG-150-RS-SS	VKG-150-SS-ACT
200	8	VKG-200-RS-SS	VKG-200-SS-ACT
250	10	VKG-250-RS-SS	VKG-250-SS-ACT
300	12	VKG-300-RS-SS	VKG-300-SS-ACT

Product Group: VC05



Hand Wheel

Double Acting

DN	L	Ød	ØD1	D2	N-M	n-c	H	
							Hand Wheel	Double Acting
80	51	74	146	122	2-M16	2-M16	546	545
100	51	95	178	154	2-M16	6-M16	610	610
150	57	144	235	207	2-M20	6-M20	705	760
200	70	190	292	264	2-M20	6-M20	815	950
250	70	240	356	328	4-M20	8-M20	940	1135

Minsup® Shouldered Butterfly Valves

Application

- Whether you're working with abrasive materials, high-pressure fluids, or corrosive chemicals, Minsup® shouldered valves can handle the job. They are particularly well-suited for use in mining operations, where their durability and ability to handle abrasive materials make them an excellent choice. Of course, they are also suitable for a variety of other industries, including oil and gas, agriculture, and more.

Features

- Lever operated as standard
- Corrosion-resistant stainless steel disc and shaft
- The lever can be padlocked out in any of the 11 positions
- Nitrile butadiene lining is moulded to the body
- Disc has a high flow coefficient design which minimises flow resistance and cavitation

Material

- Body: SG iron to ISO 1083; 400-250-15
- Lining: nitrile butadiene - 70 duro hardness
- Disc: cast stainless steel grade CF8M to ASTM A351
- Handle: SG iron ISO 1083: 400-250-15
- Shaft: grade 316 stainless steel
- Seat and Trim: nitrile butadiene lining

End Connection

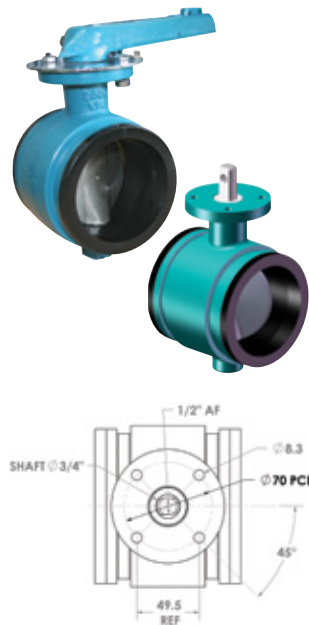
- Shouldered ends in accordance with ANSI/AWWA C606

Temperature

- -20°C - 60°C

Working Pressure

- Water: 290 PSI (20 bar)
- Air: 150 PSI (10 bar)



Size		Part Numbers	Face-to-Face (mm)
mm	inch		
100	4	08/002/374/00	116
150	6	08/002/574/00	149

Mounting pads are the same on 100mm (4") and 150mm (6") valves
Handles and actuators will interchange between 100mm (4") and 150mm (6") valves

Product Group: VS01

100mm Shouldered Butterfly Valve - Lockable

Application

- Heavy-duty valve used for isolation and regulating water, wastewater, slurries, gases and fluids that are compatible with the body material and trim.

Features

- Lockable lever operated
- Epoxy-coated ductile iron
- Graduated cap

Material

- Body: ductile iron FBE coated
- Disc: ductile iron and Nitrile Buna rubber
- Lever: SG Iron
- Shaft: 416 stainless steel

Working Pressure

- 232 PSI (16 bar)
- Test pressure: 400 PSI (27 bar)

Working Temperature

- -12°C to 82°C

Available Options

- DN100 and DN150 EPDM with gear operators or pneumatic actuators



Size		Part Number
mm	inch	
100	4	BVD-S-1201-100

Product Group: AB02

Wafer & Lugged Butterfly Valves - 316 Stainless Steel

Application

- Used for petrochemical, oil and gas, marine, and industrial applications.

Features

- Lever operated
- Wafer and fully lugged
- ISO top for direct mounting of actuators
- Stainless steel lever
- Stainless steel notch plate

Material

- Body: 316 stainless steel (CF8M)
- Stem: 316 stainless steel
- Seat: PTFE (EPDM encapsulated)

End Connection

- Wafer type fits between Table D/E and ANSI150 flanges
- Lugged valve is to AS2129 Table E

Working Pressure

- 145 PSI (10 bar)

Accessories

- Gear operators, pneumatic and electric actuators

Available Options

- Wafer and lugged 16 bar rated in Table E/ANSI150

Size		Part Numbers	
mm	inch	Wafer Table E	Lugged Table E
40	1½	BFVW-SS-040	-
50	2	BFVW-SS-050	BFVL-SS-050
65	2½	BFVW-SS-065	BFVL-SS-065
80	3	BFVW-SS-080	BFVL-SS-080
100	4	BFVW-SS-100	BFVL-SS-100
150	6	BFVW-SS-150	BFVL-SS-150
200 ¹	8	BFVW-SS-200	BFVL-SS-200

¹DN200 has gear box operator as standard

Product Group: VS02



Wafer & Lugged Butterfly Valves

Application

- Suitable for water, wastewater, hydro carbons, some chemicals and fluids that are compatible with the trim and seat material.

Features

- Lever or gear operated, ISO 5211 mounted for actuation

End Connection

- Wafer fits Table E and ANSI 150/125 and PN16
- Lugged Table E

Working Pressure

- 232 PSI (16 bar)

Material

- Body: cast iron
- Trim: 316 stainless steel
- Seat: EPDM standard. Nitrile Buna, FKM and PTFE available on request

Available Options

- ¹ANSI150 available
- ²Gearbox operated
- *Available on request

Size		Part Numbers			Face-to-Face (mm)
mm	inch	Lugged Table E ¹	Wafer EPDM Seat	Wafer NBR Seat	
50	2	LSSE050H	VBF-IBFW050	WDSE050H	43
65	2½	LSSE065H	VBF-IBFW065	WDSE065H	46
80	3	LSSE080H	VBF-IBFW080	WDSE080H	46
100	4	LSSE100H	VBF-IBFW100	WDSE100H	52
125	5	LSSE125H	VBF-IBFW125	WDSE125H	56
150	6	LSSE150H	VBF-IBFW150	WDSE150H	56
200	8	LSSE200H	VBF-IBFW200	WSSE200H	60
250	10	LSSE250H	VBF-IBFW250	WDSE250G ²	68
300	12	LSSE300H	VBF-IBFW300	WDSE300G ²	78
350	14	*	VBF-IBFW350 ²	-	78
400	16	*	VBF-IBFW400 ²	-	84
450	18	*	VBF-IBFW450 ²	-	103
500	20	*	VBF-IBFW500 ²	-	127
600	24	*	VBF-IBFW600 ²	-	150

Product Group: VF05

Product Group: VF06



Watermark Lugged Wafer Butterfly Valves

Application

- Suitable for water, wastewater, hydro carbons, some chemicals and fluids that are compatible with the trim and seat material.

Features

- Lever or gear operated, ISO 5211 mounted for actuation

Material

- Body: ductile iron
- Trim: 316 stainless steel
- Seat: EPDM

End Connection

- Lugged Table E

Working Pressure

- 232 PSI (16 bar)

Approvals

- Australian Watermarked



Size		Part Numbers	
mm	inch	Lugged - Lever Operated	Lugged - Gear Operated
50	2	VBF-IBFL0050	-
65	2½	VBF-IBFL0065	-
80	3	VBF-IBFL0080	VBFLW-80-GEAR
100	4	VBF-IBFL0100	VBF-IBFL100
125	5	VBF-IBFL0125	WSSE125G
150	6	VBF-IBFL0150	VBF-IBFL150
200	8	WDSE200H	VBF-IBFL0200
250	10	WDSE250H	VBF-IBFL0250
300	12	WDSE300H	VBFLW-300-GEAR

Product Group: VF05

High Performance Double Offset Butterfly Valve

Application

- Used widely in many industries including heating, ventilating and air conditioning, power generation, hydrocarbon processing, water and wastewater treatment, and marine and commercial shipbuilding. These valves are also installed in applications as diverse as food and beverage processing, snowmaking and pulp and paper production. Configurations are available for harsh conditions as well as applications requiring nominal pressure and temperature ratings.

Features

- Available in wafer, lugged and double flanged
- Unique design
- High performance
- Long service life

Available Flange Options

- ASME B16.5, ANSI Class 150, 300 and 600
- JIS B2210: 10K, 16K, 20K
- DIN ISO: PN10, PN16, PN25, PN40

Material

- Body: carbon steel (A216-WCB) and 316SS (A651 CF8M)
- Seat options: PTFE, RTFE, 316SS, Inconel, PTFE and stainless steel, RPFE and stainless steel

Actuator Options

- Manual: lever and worm gear operator
- Automatic: electric motor, pneumatic - double acting, spring return



Wafer



Flanged



Flanged



Flanged



Lugged



Lugged

Please contact Dixon for available options

Size DN		Part Numbers	Operated	Material	Flange	Seat
mm	inch					
100	4	HMW150CF8MBR-L-4	Lever	SS316	Wafer ANSI150	RPTFE
150	6	HMW150CF8MBR-L-6	Lever	SS316	Wafer ANSI150	RPTFE
200	8	HMW150CF8MBR-G-8	Gear	SS316	Wafer ANSI150	RPTFE

Product Group: VF05

Wafer Pneumatic Actuated Butterfly Valves

Application

- Most fluid applications and air or gas that are compatible with the valve, body and trim. Not suitable for dry applications.

Features

- Wafer type ISO 5211
- Direct mounted
- Minimum external air pressure 80 PSI (5.5 bar)

Working Pressure

- 232 PSI (16 bar)

End Connection

- Wafer universal suits Table D/E, ANSI150 and DIN16
- Lugged Table D, E and ANSI150 available on request

Available Control Options

- Namur solenoid valves
- Limit switch box
- Proximity switch box
- Electro-pneumatic
- Smart digital positioners
- Air filter/regulators
- Speed controllers and silencers

Size		Part Numbers	
mm	inch	Double Acting	Spring Return
50	2	VBF-IBFW050-DA	VBF-IBFW050-SR
65	2½	VBF-IBFW065-DA	VBF-IBFW065-SR
80	3	VBF-IBFW080-DA	VBF-IBFW080-SR
100	4	VBF-IBFW100-DA	VBF-IBFW100-SR
125	5	VBF-IBFW125-DA	VBF-IBFW125-SR
150	6	VBF-IBFW150-DA	VBF-IBFW150-SR
200	8	VBF-IBFW200-DA	VBF-IBFW200-SR
250	10	VBF-IBFW250-DA	VBF-IBFW250-SR
300	12	VBF-IBFW300-DA	VBF-IBFW300-SR

Product Group: VF07



Electric Actuated Butterfly Valves

Application

- Used for electrically operated open/close operations for fluids and gases that are suitable. Not suitable for dry applications. Open/shut only.

Features

- Wafer type

Material

- Body: cast iron
- Trim: 316 stainless steel
- Seat: EPDM

Working Pressure

- 232 PSI (16 bar)

Actuator

- 240V AC is standard, 24V AC/DC on request

End Connection

- Wafer universal suits Table D/E, ANSI150 and DIN16
- Lugged to Table E optional

Available Options

- 4-20Ma controller available on request for modulating applications

Size		Part Numbers
mm	inch	
50	2	VBF-IBFW050-EA
65	2½	VBF-IBFW065-EA
80	3	VBF-IBFW080-EA
100	4	VBF-IBFW100-EA
125	5	VBF-IBFW125-EA
150	6	VBF-IBFW150-EA
200	8	VBF-IBFW200-EA
250	10	VBF-IBFW250-EA
300	12	VBF-IBFW300-EA

Product Group: VF07



Industrial Valves - Butterfly Valves

Monitored Wafer Butterfly Valves

Application

- Designed to initiate a signal at appropriate supervisory equipment to show whether a valve is open or closed. Suitable for fire protection and distribution systems.

Features

- Gear operated
- Monitored
- Wafer type

Material

- Body: ductile iron
- Disc: ductile iron, EPDM encapsulated
- Stem: 410 stainless steel

End Connection

- Fits between ANSI 125/150 and Table D/E flanges

Approvals

- UL/FM approved

Working Pressure

- 300 PSI (20.6 bar)



Size		Part Numbers	Face-to-Face (mm)
mm	inch		
100	4	VFBFW-114-GEAR	52
150	6	VFBFW-165-GEAR	56
200	8	VFBFW-219-GEAR	60

Product Group: VB03

Bronze Monitored Butterfly Valves

Application

- Designed to initiate a signal at appropriate supervisory equipment to show whether a valve is open or closed. Suitable for fire protection and distribution systems.

Features

- Gear operated
- Monitored

Material

- Body: bronze
- Seat and trim: EPDM encapsulated

Approvals

- UL/FM approved

Working Pressure

- 175 PSI at 0°C to 80°C



Screwed BSP

Size		Part Numbers	Face-to-Face (mm)
mm	inch		
25	1	VG BBB-34-GEAR	54
32	1¼	VG BBB-43-GEAR	67
40	1½	VG BBB-48-GEAR	73
50	2	VG BBB-60-GEAR	82.4

Product Group: VB03



Grooved

Size		Part Number	Face-to-Face (mm)
mm	inch		
50	2	VG BBF-60-GEAR	114

Product Group: VF01

Grooved Monitored Butterfly Valves

Application

- Used for water, wastewater, HVAC, fire hydrant and distribution services.

Features

- Monitoring device via anti-tamper switches in gear operator

Material

- Body: ductile iron
- Disc: ductile iron, EPDM encapsulated
- Stem: 410 stainless steel

Working Pressure

- 300 PSI at 0°C to 80°C

End Connection

- Grooved ends conform to ANSI/AWWA C606

Available Options

- 250mm and 300mm available on request
- Watermark certified valves available on request

Size		Part Numbers	Face-to-Face (mm)
mm	inch		
65	2½	VGBFHP-76-GEAR	96.4
80	3	VGBFHP-88-GEAR	96.4
100	4	VGBFHP-114-GEAR	115.4
150	6	VGBFHP-165-GEAR	132.4
200	8	VGBFHP-200	147.7

Product Group: VF02



Grooved Butterfly Valves with Lever & Notch Plate

Application

- Used to reticulate water, wastewater, sewage, air and neutral liquids in hydraulic, HVAC and fire hydrant systems.

Features

- Grooved lever operated
- ISO 5211 mounted
- Conforms to UL 1091, FM-class 1112, NSF certified

Material

- Body: ductile iron
- Disc: ductile iron
- Seat and trim: ductile iron, EPDM encapsulated

Working Pressure

- 300 PSI at 80°C

End Connection

- Grooved ends conform to ANSI/AWWA C606

Size		Part Numbers
mm	inch	
50	2	VGBF-60-LEVER
65	2½	VGBF-75-LEVER
80	3	VGBF-88-LEVER
100	4	VGBF-114-LEVER
150	6	VGBF-165-LEVER
200	8	VGBF-219-LEVER

Product Group: VF04



Industrial Valves - Check Valves

Wafer Check Valves Single Flap

Application

- Used for water, air, and neutral fluids.

Features

- Single flap uni-check

Material

- Body: cast iron, FBE coated
- Seat and trim: EPDM seal
- Disc and spring: 316 stainless steel

End Connection

- Wafer flanged Table E

Temperature

- -20°C to 80°C

Working Pressure

- 145 PSI (10 bar)



Size		Part Numbers	Face-to-Face (mm)
mm	inch		
50	2	SC50MM	44.5
65	2½	SC65MM	47.6
80	3	SC80MM	50.8
100	4	SC100MM	57.2
125	5	SC125MM	63.5
150	6	SC150MM	69.9
200	8	SC200MM	73
250	10	SC250MM	79.4
300	12	SC300MM	85.7

Product Group: VC08

Duo Wafer Check Valves

Application

- Used for water, air, and neutral fluids.

Features

- Double flap uni-check

Material

- Body: cast iron, FBE coated
- Seat and trim: NBR seal
- Disc and spring: 316 stainless steel

End Connection

- Universal ends - fits between Table D/E and ANSI 150 flanges

Temperature

- -10°C to 80°C

Working Pressure

- 232 PSI (16 bar)



Size		Part Numbers	Face-to-Face (mm)
mm	inch		
50	2	VWC-50E	43
65	2½	VWC-65E	46
80	3	VWC-80E	64
100	4	VWC-100E	64
150	6	VWC-150E	76
200	8	VWC-200E	89
250	10	VWC-250E	114
300	12	VWC-300E	114
350	14	VWC-350E	127
400	16	VWC-400E	140
450	18	VWC-450E	152
500	20	VWC-500E	152
600	24	VWC-600E	178

Product Group: VC08

Duo Wafer Stainless Steel Check Valves

Application

- Used for water, oil, and chemicals that can be handled by 316 stainless steel and FKM elastomer seat.

Features

- Suits universal flanges

Material

- Body: 316 stainless steel
- Disc and spring: 316 stainless steel

End Connection

- Suits Tables D/E, ANSI 150/300, DIN PN10 to PN40

Working Pressure

- 580 PSI (40 bar)

Size		Part Numbers
mm	inch	
50	2	DU0316-050
65	2½	DU0316-065
80	3	DU0316-080
100	4	DU0316-100
150	6	DU0316-150
200	8	DU0316-200
250	10	DU0316-250
300	12	DU0316-300



Product Group: VS02

Bronze Swing Check Valves

Application

- Used for general hydraulic, mechanical services and fire protection.

Features

- Can be used in either vertical or horizontal pipelines

Material

- Body: bronze

End Connection

- Screwed female BSP

Temperature/Working Pressure

- Temperature: max. 99°C
- Working pressure: 290 PSI (20 bar) for water, oil and gas

Approved Bronze Swing Check Valves

Size		Part Numbers
mm	inch	
12	½	VC-4B-015
20	¾	VC-4B-020
25	1	VC-4B-025
32	1¼	VC-4B-032
40	1½	VC-4B-040
50	2	VC-4B-050
80	3	VC-4B-080
100	4	VC-4B-100



Product Group: VB11

Standard Bronze Swing Check Valves

Size		Part Numbers
mm	inch	
50	2	VC-4B-50MM
100	4	VC-4B-100MM



Product Group: VB11

Industrial Valves - Check Valves

Brass Swing Check Valves

Application

- Used for control of water, oil, and gas in hose or pipelines, irrigation, light industrial and rural applications.

Material

- Body: brass

End Connection

- Screwed female BSP, DIN259 and BS2779



Size		Part Numbers	Working Pressure	
mm	inch		PSI	Bar
12	½	BSCV012	170	11.72
20	¾	BSCV020	170	11.72
25	1	BSCV025	170	11.72
32	1¼	BSCV032	140	11.72
40	1½	BSCV040	140	9.65
50	2	BSCV050	140	9.65
65	2½	BSCV065	110	7.58
80	3	BSCV075	110	7.58
100	4	BSCV100	110	7.58

Product Group: VB02

Stainless Steel Swing Check Valves

Application

- Used for general hydraulic, mechanical services and fire protection.

Material

- Body: 316 stainless steel

Temperature

- Maximum 99°C

End Connection

- Screwed female BSP

Working Pressure

- 200 PSI



Size		Part Numbers
mm	inch	
12	½	SSC-015
20	¾	SSC-020
25	1	SSC-025
32	1¼	SSC-032
40	1½	SSC-040
50	2	SSC-050

Product Group: VS02

Stainless Steel Swing Flanged Check Valves

Application

- Used for water, oil, gas, and corrosive fluids. ASME B1634

Material

- Body: stainless steel (ASTM A351 CF8/CF8M)

End Connection

- Flanged to ANSI 150LB is standard, Table E available on request

Working Pressure

- 285 PSI



Size		Part Numbers
mm	inch	
65	2½	VSC-150-065
80	3	VSC-150-080
100	4	VSC-150-100
150	6	VSC-150-150
200	8	VSC-150-200
250	10	VSC-150-250

Product Group: VS02

Cast Steel (WCB) Swing Check Valves Flanges ANSI 150

Application

- Used for petroleum, oil, gas, low-pressure saturated steam, mining and industrial applications.

Design

- ASME B16 34 and BS 1868

Material

- DN15 to DN40: forged steel A105N
- DN50 to DN250: ASTM A216 WCB
- Disc: ASTM A276 420

End Connection

- Flanged ANSI 150, face to face ASME B16.10, ASME B16.5

Temperature

- Maximum -29°C to 425°C

Working Pressure

- 285 PSI CWP

Available Options

- Sizes DN15-DN40 available on request
- ANSI 300LB valves also available on request

Size		Part Numbers
mm	inch	
50	2	VSC-CS-150-050
65	2½	VSC-CS-150-065
80	3	VSC-CS-150-080
100	4	VSC-CS-150-100
150	6	VSC-CS-150-150
200	8	VSC-CS-150-200
250	10	VSC-CS-150-250

Product Group: VF08



Grooved Swing Check Valves

Application

- Used for general hydraulic, mechanical services and fire protection.

Features

- Swing check valve resilient seat

Material

- Body: ductile iron - FBE coated

End Connection

- Grooved to AWWA C606 or metric

Temperature

- 0°C - 80°C

Working Pressure

- 350 PSI

Approvals

- UL/FM approved

Size		Part Numbers	Face-to-Face (mm)
mm	inch		
50	2	VGSCV-60	169
65	2½	VGSCV-76	184
80	3	VGSCV-88	214
100	4	VGSCV-114	215
150	6	VGSCV-165	271
200	8	VGSCV-219	325

Product Group: VC07



Industrial Valves - Check Valves

Ductile Iron Flanged Ball Check Valves

Application

- Used for water, wastewater, sewage, slurry and semi-solids within various industries including, industrial, hydraulic, civil, mining and waste services.

Features

- Flanged to AS4087 PN16/AS2129 Table E

Material

- Body: ductile iron - FBE coated

End Connection

- Flanged Table D/E, 232 PSI rated

Temperature

- 0°C - 80°C



Size		Part Numbers	Face-to-Face (mm)
mm	inch		
50	2	BCK-050D	200
65	2½	BCK-065D	240
80	3	BCK-080D	260
100	4	BCK-100D	300
100	4	BCK-100E	300
150	6	BCK-150D	400
200	8	BCK-200D	500
250	10	BCK-250D	600
300	12	BCK-300D	700

Product Group: VC08

Class 800 Forged Steel Check Valves

Application

- Used for petroleum, oil, gas, low-pressure saturated steam, mining and industrial applications.

Features

- Class 800 forged steel BSS5351, API 598, ASME B1.20.1

Material

- Body: forged steel - ASTM A 105N
- Seat: A276 420
- Disc: ASTM A276 420

Temperature

- 20°C to 380°C

Working Pressure

- 1975 PSI (136 bar)

Available Options

- Socket weld in forged steel
- 316 stainless steel available in screwed NPT

End Connection

- Screwed female BSP and NPT



Size		Part Numbers	
mm	inch	BSP	NPT
12	½	FSSCVB-015	FSSCVN-015
20	¾	FSSCVB-020	FSSCVN-020
25	1	FSSCVB-025	FSSCVN-025
32	1¼	FSSCVB-032	FSSCVN-032
40	1½	FSSCVB-040	FSSCVN-040
50	2	FSSCVB-050	FSSCVN-050

Product Group: VF08

Brass In-line Check Valves

Application

- Suitable for industrial, pneumatic and hydraulic installations. Ideal for use with hot or cold water, oils or compressed air. Can be installed in vertical, horizontal or oblique positions.

Brass In-line Check Valves

Features

- Full bore

Material

- Body: brass CW 617N
- Spring: stainless steel AISI 302
- Seal: nitrile butadiene rubber

End Connection

- Screwed female BSP conforming to ISO228 (equivalent to DIN259 and BS2779)

Temperature

- Air: -20°C to 110°C
- Water: 0°C to 90°C
- Gas: -20°C to 60°C

Check Valve York™ Filter SS304

Application

- To suit York™ check valve.

Features

- 10mm to 50mm = 1200 micron
- 65mm to 100mm = 2000 micron

Material

- Body: strainer in 304 stainless steel

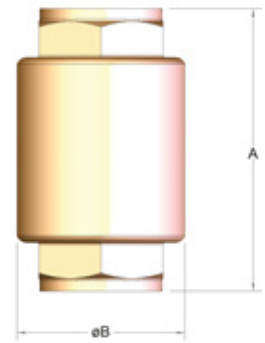
End Connection

- Nylon thread, ISO228, DIN259 and BS2779

Europa Brass Stem

Size		Part Numbers	Working Pressure		Dimensions (mm)	
mm	inch		PSI	Bar	A	B
12	½	BECV012	360	25	58.5	34.5
20	¾	BECV020	360	25	65	41.5
25	1	BECV025	360	25	74.5	48
32	1¼	BECV032	260	18	83	60.5
40	1½	BECV040	260	18	93	71
50	2	BECV050	260	18	101	87
65	2½	BECV065	170	12	122	120
80	3	BECV075	170	12	141.5	140.5
100	4	BECV100	170	12	158.8	172.5

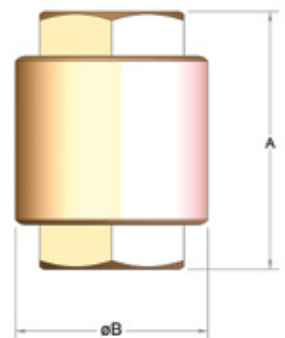
Product Group: VB02



York™ Plastic Stem

Size		Part Numbers		Working Pressure		Dimensions (mm)	
mm	inch	Check Valve	Filter SS304	PSI	Bar	A	B
10	⅜	BYCV010	BYCF010	170	12	46.5	34.5
12	½	BYCV012	BYCF012	170	12	47	34.5
20	¾	BYCV020	BYCF020	170	12	53	42
25	1	BYCV025	BYCF025	170	12	60.5	47.5
32	1¼	BYCV032	BYCF032	140	10	66.5	59.5
40	1½	BYCV040	BYCF040	140	10	74	71
50	2	BYCV050	BYCF050	140	10	80	86.5
65	2½	BYCV065	BYCF065	110	8	98	102
80	3	BYCV075	BYCF075	110	8	103	125
100	4	BYCV100	BYCF100	110	8	118.5	155

Product Group: VB02



Filter SS304

3-Piece In-line Check Valves Stainless Steel

Application

- Used for water, oil, gas, and chemicals.

Features

- Spring loaded in-line check

Material

- Body: 316 stainless steel
- Seat: PTFE
- Disc and spring: 316 stainless steel



End Connection

- Screwed female BSP

Working Pressure

- 1000 PSI CWP (69 bar)

Available Options

- Sizes from 12mm (½") to 100mm (4")
- Female NPT ends up to 50mm (2")

Size		Part Numbers
mm	inch	
12	½	SS3P015-SCV
20	¾	SS3P020-SCV
25	1	SS3P025-SCV
32	1¼	SS3P032-SCV
40	1½	SS3P040-SCV
50	2	SS3P050-SCV

Product Group: VS02

Foot Valves

Application

- General industrial, irrigation and rural services.

Features

- Full bore

Material

- Body: brass
- Spring: stainless steel AISI 302
- Seal: nitrile butadiene rubber
- Strainer Cartridge: SS304



End Connection

- Screwed female BSP conforming to ISO228, DIN259 and BS2779

Temperature

- 0°C to 90°C

Working Pressure

- 90 PSI - 140 PSI

Size		Part Numbers	Working Pressure	
mm	inch		PSI	Bar
20	¾	BFV020	140	10
25	1	BFV025	140	10
32	1¼	BFV032	110	8
40	1½	BFV040	110	8
50	2	BFV050	110	8
65	2½	BFV065	90	6
80	3	BFV080	90	6
100	4	BFV100	90	6

Product Group: VB02

Hydraulic Control Valves

Application

- Hydraulic control valves are used for automatic control in fire hydrant pipeline distribution systems, mining and water works.

Configurations

- Pressure reducing, pressure sustaining, relief, tank fill, flow control, excessive flow, on/off, booster pump control

Material

- Body: cast iron

End Connection

- AS2129 Flanged Table D/E

Working Pressure

- 232 PSI (16 bar)



Pressure Reducing



Pressure Sustaining/Relief



Tank Float

Size	Part Numbers (mm)		
	Pressure Reducing	Pressure Sustaining/Relief	Tank Float Modulation
100	FFS-PRV420-114E	FFS-PRV430-114E	FFS-PRV450-114E
150	FFS-PRV420-165E	FFS-PRV430-165E	FFS-PRV450-165E
200	FFS-PRV420-200E	FFS-PRV430-200E	FFS-PRV450-200E

Product Group: V003

In-line Adjustable Pressure Reducing Valve - Fig NR3

Application

- For potable water lines to reduce high inlet pressure to lower outlet pressure. Factory set to 50 PSI.

Material

- Body: bronze

Working Pressure

- 400 PSI CWP (27 bar)

End Connection

- Screwed male BSP

Approvals

- Watermark

Size		Part Numbers
mm	inch	
12	½	BR4-015
20	¾	BR4-020
25	1	BR4-025
32	1¼	BR4-032
40	1½	BR4-040
50	2	BR4-050

Product Group: VB10



Industrial Valves - Pressure Reducing Valves

Direct Acting Pressure Reducing Valve

Application

- Used for neutral fluids, water, oil weak acids and alkalines, steam, gasses, and air.

Features

- Pressure balanced gate, doesn't affect outlet pressure when inlet pressure is unstable
- Reliable with only one moving part
- Minimum maintenance required

Material

- Body: stainless steel 316 CF8M
- Seat and Trim: stainless steel piston and spring, diaphragm
- Gasket and O-ring: FKM

Pressure Ratings

- Inlet: 290 PSI (20 bar)
- Outlet: standard spring 1-6 bar (options 4-10 bar and 3-13 bar)

Temperature

- 15°C - 100°C for water and neutral fluids
- 100°C - 130°C for steam



Size		Part Numbers
mm	inch	
12	½	PRVSS-A-015
20	¾	PRVSS-A-020
25	1	PRVSS-A-025
32	1¼	PRVSS-A-032
40	1½	PRVSS-A-040
50	2	PRVSS-A-050

Product Group: VS02

Ratio Pressure Reducing Valves

Application

- Reducing static and dynamic fluid pressure in fresh and flush water applications in mines and high-rise buildings.

Features

- One-piece direct acting ratio pressure-reducing valves
- Screwed female BSP and flanged BS4504 Table E
- High flow rates/accurate control of pressure, reduces surge and water hammer
- Reliable with only one moving part
- Minimum maintenance required

Working Pressure

- Screwed: 300 - 2000 kPa
- Flanged: 200 - 2000 kPa

Material

Gunmetal:

- Screw/Flange Joint: gunmetal BS1400-LG2
- Valve Body: gunmetal BS1400-LG2
- Seal ring: NBR/EPDM

SS316:

- Screw/Flange Joint: 316 stainless steel
- Valve Body: 316 stainless steel
- Seal ring: high synthetic rubber



Size		Ratio	Part Numbers			
mm	inch		BSP Female		Flanged Table E/PN16	
			Gunmetal	SS316	Gunmetal	SS316
25	1	2:1	-	YH23	-	-
25	1	3:1	YH33	-	-	-
50	2	2:1	-	YH26	-	-
50	2	3:1	YH36	-	-	-
80	3	2:1	-	-	YH802	-
100	4	2:1	-	-	-	YH1002
100	4	3:1	-	-	YH1003	-

Product Group: VO05

Flanged Pressure Reducing Valve

Application

- Ideally suited for drop-tight installations of water, air, gas, and oil services. The Type D Fig. 212 and 213 pressure-reducing valve is direct-acting, piston-balanced, single-seated, diaphragm controlled, and spring-regulated.

Material

- Body: cast iron T260 FBE coated
- Valve spindle: bronze AS 1565/836B
- Seals: Nitrile Buna rubber
- Diaphragm: neoprene reinforced
- Seat and liner: 316 stainless steel
- Regulating spring: spring steel

End Connection

- Flanged Table E

Working Pressure

- 232 PSI (16 bar)

Fig 212

Size		Part Number
mm	inch	
100	4	FFS-PRV7838-50

Product Group: V005



Material

- Body: SG iron
- Spring cage: 316 stainless steel
- Seals: Nitrile Buna rubber
- Regulating spring: spring steel
- Trim: 316 stainless steel

End Connection

- Flanged Table E

Working Pressure

- 246 PSI (17 bar)

Fig 213

Size		Part Number
mm	inch	
100	4	FFS-PRV213-100E

Product Group: V005



Water Meter with Pulse Register

Application

- Used for water measurement, potable and industrial applications.

Features

- Conforms to OIML, R49, Class 2
- Helical vane operation with standard pulse device

Material

- Body: cast iron FBE coated

End Connection

- Flanged Table D

Working Pressure

- 232 PSI (16 bar)

Size		Part Numbers
mm	inch	
50	2	WPH-50-1
65	2½	WPH-65-1
80	3	WPH-80-1
100	4	WPH-100-1
150	6	WPH-150-1

Product Group: V003



Industrial Valves - Pressure Reducing Valves

Multi Jet Water Meter

Application

- Used for water measurement.

Features

- Multi-jet meter with pulse output
- All meters supplied with 10 litre pulse

Material

- Body: brass, with nuts and tails



End Connection

- Female unions

Working Pressure

- 145 PSI (10 bar)

Size		Part Numbers	Capsule Pulse
mm	inch		
20	¾	MT-KD-20-P2	1 Litre of 10 Litre
25	1	MT-KD-25-P2	1 Litre or 10 Litre
40	1½	MT-KD-40-P2	10 Litre
50	2	MT-KD-50-P2	10 Litre

Product Group: V003

Reduced Pressure Zone Devices with Isolation - Valve & Strainer

Application

- Used for backflow prevention.

End Connection

- Screwed female BSP

Standards/Approvals

- Complies with AS/NZS 2485.1
- Watermark



Size		Part Numbers
mm	inch	
12	½	RPZ-015-W
20	¾	RPZ-020-W
25	1	RPZ-025-W
32	1¼	RPZ-032-W
40	1½	RPZ-040-W
50	2	RPZ-050-W

Product Group: V003

Double Check Valve Device with Isolation Valve

Application

- Used for backflow prevention.

End Connection

- Screwed female BSP

Standards/Approvals

- Complies with AS/NZS 2485.1
- Watermark



Size		Part Numbers	
mm	inch	Without Strainer	With Strainer
20	¾	DCV-020-WY	DCV-020-W
25	1	DCV-025-WY	DCV-025-W
32	1¼	DCV-032-WY	DCV-032-W
40	1½	DCV-040-WY	DCV-040-W
50	2	DCV-050-WY	DCV-050-W

Product Group: V003

Reduced Pressure Zone - Device Only

Application

- Used for backflow prevention.

End Connection

- Flanged Table E
- Also available in roll grooved

Standards/Approvals

- Complies with AS/NZS 2485.1
- Watermark

Size		Part Numbers	Face-to-Face (mm)
mm	inch		
65	2½	RPZ-065-WDO	470
80	3	RPZ-080-WDO	470
100	4	RPZ-100-WDO	470
150	6	RPZ-150-WDO	578
200	8	RPZ-200-WDO	851

Product Group: V003



Double Check Valves - Device Only

Application

- Used for backflow prevention.

End Connection

- Flanged Table E
- Also available in grooved

Standards/Approvals

- Complies with AS/NZS 2485.1
- Watermark

Flanged

Size		Part Numbers	Face-to-Face (mm)
mm	inch		
65	2½	DCV-065WDO	470
80	3	DCV-080WDO	470
100	4	DCV-100WDO	470
150	6	DCV-150WDO	578

Product Group: V003



Grooved

Size		Part Numbers	Face-to-Face (mm)
mm	inch		
100	4	VBF-850-DC-100E	470
150	6	VBF-856-DC-150	578

Product Group: V002



Double Detector Check Valves with 20mm Bypass - Device Only

Application

- Used for backflow prevention.

Approvals

- Watermark

End Connection

- Flanged Table E
- Also available in grooved

Size		Part Numbers	Face-to-Face (mm)
mm	inch		
100	4	DDCV-100X20	470
150	6	DDCV-150X20	578

Product Group: V003



Industrial Valves - Pressure Reducing Valves

Single Testable Check Valve - Flanged & Grooved

Application

- Fire sprinkler systems and potable water to prevent back siphonage.

Material

- Body: ductile iron
- Stem: stainless steel
- EPDM elastomers and FBE coated

End Connection

- Flanged: ANSI B16.1 Class 125 and drilled to AS2129 Table D/E
- Grooved: AWWA C606

Approvals

- AS 4020, AS standards mark certified
- Watermark

Temperature

- 0°C to 90°C

Working Pressure

- 175 PSI (12 bar)



Size		Part Numbers		Face-to-Face (mm)
mm	inch	Flanged	Grooved	
100	4	SCV-100	SCV-100G	470
150	6	SCV-150	SCV-150G	578

Product Group: V003

Single Detector Check Valve with 25mm Spacer Bypass

Application

- Used for backflow prevention.



End Connection

- Grooved
- Also available in flanged Table E

Size		Part Numbers		Face-to-Face (mm)
mm	inch	Flanged		
100	4	SCV-100X25CW		470
150	6	SCV-150X25CW		578

Product Group: V003

Single Fireline Detector Check Valve with 25mm Metered Bypass

Application

- Used for backflow prevention.



End Connection

- Flanged Table E
- Also available in grooved

Size		Part Numbers		Face-to-Face (mm)
mm	inch			
100	4	SCV-100X25YV		470
150	6	SCV-150X25YV		578

Product Group: V003

3-Way Globe Valves - Fig BH-8

Application

- Used for water, oil, and neutral liquids.

Material

- Body: bronze
- Seats and trim: bronze

End Connection

- Female BSP

Working Pressure

- 200 PSI (14.8 bar)

Approvals

- UL/FM



Size		Part Number
mm	inch	
8	5/16	VGB3-8

Product Group: VB09

Heavy-Duty Steam Globe Valves

Application

- Used for steam, water, and oil.

Material

- Body: bronze
- Seats and trim: 316 stainless steel
- Disc: stainless steel

Temperature

- 10°C to 180°C

Working Pressure

- 363 PSI (25 bar)

End Connection

- Female BSP

Size		Part Numbers
mm	inch	
12	½	VGL-501-015
20	¾	VGL-501-020
25	1	VGL-501-025
32	1¼	VGL-501-032
40	1½	VGL-501-040
50	2	VGL-501-050

Product Group: VB09



Globe Valves - Stainless Steel BSP

Application

- Used for steam, water, and oil.

Material

- Body: 316 stainless steel
- Seats and trim: integral seat

Temperature

- 20°C to 232°C for water, oil, gas, and corrosive fluids

Working Pressure

- 200 PSI (14 bar)

End Connection

- Female BSP

Size		Part Numbers
mm	inch	
12	½	SGLV-015
20	¾	SGLV-020
25	1	SGLV-025
32	1¼	SGLV-032
40	1½	SGLV-040
50	2	SGLV-050

Product Group: VS02



OS&Y Globe Valves - Flanged ANSI 150

Application

- Globe valves are used for regulating/throttling applications in the oil and gas, petrochemical, mining, steam and fire hydrant and distribution systems.

Material

- Body: ASTM A351 CF8M (316SS)
- Body: A216 WCB (cast carbon steel)

End Connection

- Flanged: ANSI B16.34 and BS1873

Working Pressure

- 285 PSI (20 bar) for water, oil, gas, and corrosive fluids

Options

- ANSI 300 LB also available
- Drilled Table E ½" - 6"



Stainless Steel



Cast Steel

Size		Part Numbers	
mm	inch	Cast Steel	Stainless Steel
50	2	VGL-CS-150-050	VGL-150-050
65	2 ½	VGL-CS-150-065	VGL-150-065
80	3	VGL-CS-150-080	VGL-150-080
100	4	VGL-CS-150-100	VGL-150-100
150	6	VGL-CS-150-150	VGL-150-150
200	8	VGL-CS-150-200	VGL-150-200

Product Group: VF08 Product Group: VS02

Globe Valves - Class 800 Forged Steel

Application

- Used for petroleum, oil, gas, mining, and low-pressure steam. General services up to 425°C.

Features

- Outside, stem and yoke
- Bolted bonnet
- Plug disc

Material

- Body: forged steel - ASTM A105N
- Seat: ASTM A105N + 13Cr
- Stem: ASTM A182 F6a

End Connection

- Female BSP or NPT

Temperature

- 20°C to 380°C

Working Pressure

- 1975 PSI (136 bar)

Options

- Socket weld in forged steel
- 316 stainless steel available in NPT



Size		Part Numbers	
mm	inch	BSP	NPT
12	½	FSGLB-015	FSGLN-015
20	¾	FSGLB-020	FSGLN-020
25	1	FSGLB-025	FSGLN-025
32	1¼	FSGLB-032	FSGLN-032
40	1½	FSGLB-040	FSGLN-040
50	2	FSGLB-050	FSGLN-050

Product Group: VF08

High Pressure Needle Valves - Stainless Steel

Application

- Needle valves are used for fine control in high-pressure instrumentation panels in the oil and gas, petrochemical, refining and related industries.

Material

- Body and seat: 316 stainless steel

Maximum Temperature

- 180°C

End Connection

- Female BSP or NPT

Working Pressure

- 6000 PSI (413 bar) for water, oil, gas, steam, and corrosive fluids

Size		Part Numbers	
mm	inch	BSP	NPT
6	¼	VNE-008	VNE-008N
10	⅜	VNE-010	VNE-010N
12	½	VNE-015	VNE-015N
20	¾	VNE-020	VNE-020N
25	1	VNE-025	VNE-025N

Product Group: VS02



Ball Float Tank Fill Valves

Application

- Auto-fill valve for water tanks. Commonly used in fire services.

Features

- Figure SRI complete with stainless steel float

End Connection

- Male BSP

Size		Part Numbers
mm	inch	
50	2	FFS-BFTFV-50
80	3	FFS-BFTFV-80
100	4	FFS-BFTFV-100

Product Group: VB10



Relief Valves with Side Outlet - Fig SRV-L3P

Application

- Suitable for discharge of steam, water, oil, air, and liquids non-injurious to copper alloys.

Features

- Closed side outlet with right angle discharge

End Connection

- Outlet: female BSP
- Inlet: male BSPT

Material

- Body: bronze
- Seats and trim: PTFE seat and steel spring

Working Pressure

- Factory set to 145 PSI (10 bar), can be adjusted from 43.5 PSI to 145 PSI (3 bar to 10 bar)

Temperature

- 45°C to 165°C

Size		Part Numbers	Standard Setting (PSI)
mm	inch		
12	½	VR-268-15	145
20	¾	VR-268-20	145
25	1	VR-268-25	145
32	1¼	VR-268-32	145
40	1½	VR-268-40	145
50	2	VR-268-50	145

Product Group: VB10



Relief Valves Stainless Steel - Fig SRV-L8SP

Application

- Used for water, oil, gas, and steam.

Material

- Body and trim: 316 stainless steel
- Seat: PTFE soft seat

End Connection

- Outlet: female BSP
- Inlet: male BSPT



Working Pressure

- Factory set to 145 PSI (10 bar), field adjustable from 29 PSI to 145 PSI (2 bar to 10 bar)

Options

- 11-20 bar rated spring and custom pressure setting available on request

Size		Part Numbers
mm	inch	
12	½	SRV-015
20	¾	SRV-020
25	1	SRV-025
32	1¼	SRV-032
40	1½	SRV-040
50	2	SRV-050

Product Group: VS02

Brass Solenoid Valves - Fig B35

Application

- Used for air and fluid.

Material

- Body: brass, differential NC and NO

End Connection

- Female BSP



Size		Part Numbers		Coil Voltage
mm	inch	Normally Closed	Normally Open	
12	½	VSOL-15	-	24 Volt DC
12	½	VSOL-15-MD	-	24 Volt DC with manual override
12	½	VSOL-8615-NC	-	24 Volt AC
20	¾	VSOL-20	VSOL-8715-NO	24 Volt DC
25	1	VSOL-8616-NC	VSOL-8716-NC	24 Volt AC
40	1½	VSOL-8618-NC	VSOL-8618-NC	24 Volt AC

Product Group: VB10

Stainless Steel Solenoid Valves

Application

- Used for potable water, air, fluids compatible with stainless steel 316 and EPDM seat.

Material

- Body: 316 stainless steel
- Seats and trim: 316 stainless steel, EPDM

Working Pressure/Temperature

- 0.25 to 16 bar
- Max temperature: -10°C to 80°C

End Connection

- Female BSP



Size		Part Numbers (Normally Closed)	Voltage	Orifice	Cv
mm	inch				
12	½	WS35-4-14-8E	24VDC	14	5
20	¾	WS35-5-20-8E	24VDC	20	10
25	1	WS35-6-25-8E	24VDC	25	11
32	1¼	WS35-7-40-8E	24VDC	40	28
40	1½	WS35-8-40-8E	24VDC	40	34
50	2	WS35-9-50-8E	24VDC	50	50

Product Group: VS02

Y Strainers Ductile Iron - Fig YS

Application

- Used for water, oil, gas, and fire protection.

Material

- Body: ductile iron
- Mesh: 316 stainless steel

End Connection

- Flanged Table E

Temperature

- -20°C to 110°C

Working Pressure

- 232PSI CWP (16 bar)

Size		Part Numbers	Face-to-Face (mm)
mm	inch		
50	2	VYS-050-E	230
65	2 ½	VYS-065-E	290
80	3	VYS-080-E	310
100	4	VYS-100-E	350
125	5	VYS-125-E	400
150	6	VYS-150-E	480
200	8	VYS-200-E	600
250	10	VYS-250-E	730
300	12	VYS-300-E	762

Product Group: VC06



Y Strainers - Brass

Application

- Used for domestic water services, heating and air-conditioning plants, and compressed air systems.

Features

- Provides an economical, compact and hydraulically efficient means of protecting valuable piping system components

Material

- Body: cast brass body
- Mesh: 316 stainless steel

End Connection

- Female x female BSP - equivalent to DIN259 and BS2779

Temperature

- Air: -15°C to 110°C
- Water: 0°C to 90°C

Working Pressure

- Maximum 290 PSI (20 bar)

Size		Part Numbers	Working Pressure		Degree of Filtration
mm	inch		PSI	bar	µ
8	5/16	BYLF006	290	20	500
10	¾	BYLF010	290	20	500
12	½	BYLF012	290	20	500
20	¾	BYLF020	290	20	500
25	1	BYLF025	290	20	500
32	1¼	BYLF032	290	20	500
40	1½	BYLF040	290	20	500
50	2	BYLF050	290	20	500

Product Group: VB10



Industrial Valves - Y Strainers

Y Strainers - Stainless Steel

Application

- Used for water, oil, gas, and steam.

Material

- Body and element: 316 stainless steel

End Connection

- Female BSP

Temperature

- -20°C to 232°C for water, oil, gas, and corrosive fluids

Working Pressure

- 800 PSI CWP (55 bar)



Size		Part Numbers
mm	inch	
12	½	SYS-015
20	¾	SYS-020
25	1	SYS-025
32	1¼	SYS-032
40	1½	SYS-040
50	2	SYS-050

Product Group: VS02

Pressure Switch

Application

- Used for monitoring high and/or low-pressure variations.

Material

- Cover: die-cast with red powder coat
- Base: plated steel

Working Pressure

- 10 PSI - 177 PSI (7 - 12.25 bar) - 1 set of contacts
- Field adjustable

Approvals

- UL, CSFM, FM, LPC approved
- CE marked



Part Number	Type	Description
FFS-PS120-1A	PA120-1A	Pressure drop model of 111 PSI (7.7 Bar)

Product Group: VB07

Anti-Tamper Switches



OSYSU-1

Part Number	Type	Description
FFS-OSYSU-A1	OSYSU-1	To suit gate valves OS&Y DN50 - DN300, 1 set of contacts

Product Group: VB07



PTS-C

Part Number	Type	Description
FFS-PTS-C	PTS-C	Pull out plug style suitable for any type of hand wheel operated valve

Product Group: VB07

Vane Type Waterflow Alarm Switches for Small Pipe

Part Number	Type	Description
FFS-VSR-FS-25	VSR-SFDN25 to DN50	Suitable for small pipe DN25 - 50 Product Group: VB07



Vane Type Waterflow Alarm Switches

Part Numbers	Size to suit pipe NB
FFS-WF150	50
FFS-WF165	65
FFS-WF180	80
FFS-WF1100	100
FFS-WF1150	150
FFS-WF1200	200

Product Group: VB07



Amtron Anti-Tamper Supervisory Switch

Approvals

- ActivFire and AS2419.1 approved, with LED

Part Number	Description
502	To suit gate and butterfly valves Product Group: VB07



Valve Wheel Spanner - Open/Close Valves

Application

- Used to open/shut gate valves, globe valves, and valves with hand wheels.

Features

- User friendly
- Safe non-slip design
- OHS tool
- Safe and efficient with positive wheel engagement

Material

- Body: heavy-duty toughened chromed steel

Part Numbers	Size	Valve Range (inch)
4G4192	Small	1 to 2
4G4193	Medium	2 to 6
4G4194	Large	8 to 20

Product Group: VS01



Chain Wheel Assembly

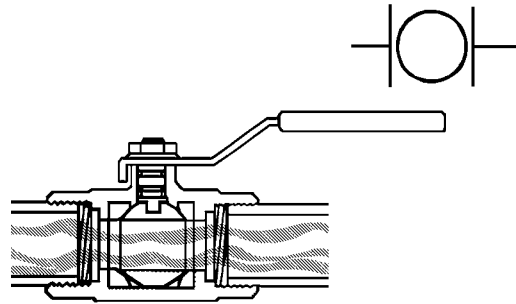
Part Number	Description
CHAIN-WHEEL	To suit butterfly, gate, globe and knife gate valves Product Group: VS01



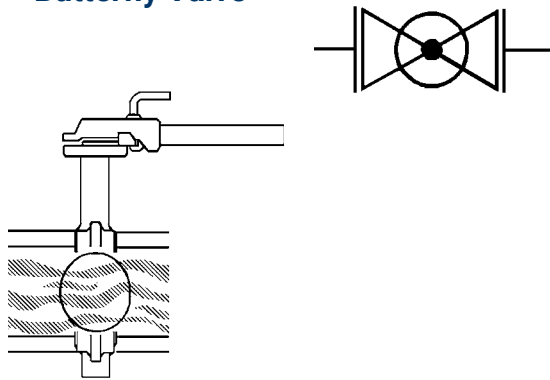
Valve Selection Guide

Ball Valve

- Can be used for on and off service or throttling
- When positive shut-off is necessary
- Where a low valve profile is necessary
- Only 90° rotation from open to fully closed quick opening
- Handle position is a quick indication of whether valve is open or closed
- Full port ball valves do not resist flow

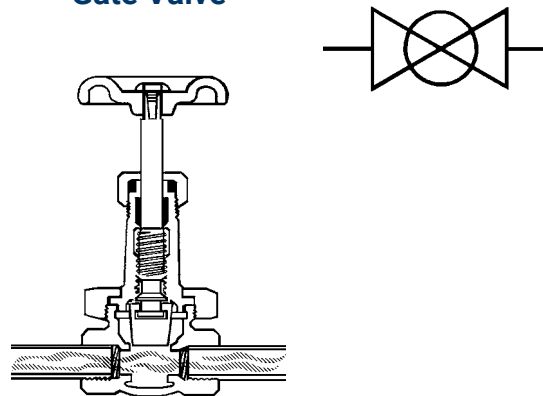


Butterfly Valve



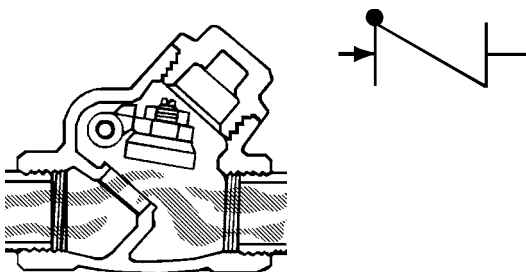
- Where positive shut-off is necessary
- Primarily for fully open or fully closed applications
- May be used for throttling
- Only 90° rotation from open to fully closed
- Lightweight
- Easy to install
- Less costly than an iron body Gate valve

Gate Valve



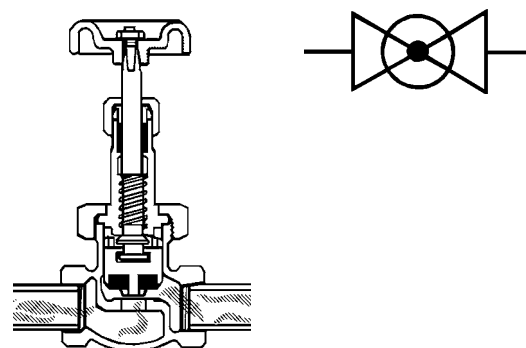
- For fully open or fully closed service NOT FOR THROTTLING
- For minimum line pressure drop
- For minimum fluid entrapment in the line
- For relatively infrequent operation

Check Valve



- To control the direction of flow and for quick, automatic reactions to flow change. Swing check valves are used when a minimum resistance to flow is required
- Swing check valves are recommended for use in conjunction with Gate valves. They should not be used in a rapid recycling system such as reciprocating pumps or air compressor service where they could cause chatter and damaging vibration

Globe Valve



- For regulation (throttling) of flow
- For frequent operation; short stem travel reduces operator's time
- Where some line resistance is acceptable



The Right Connection®

Dixon (Asia Pacific) Pty Ltd

170 Francis Road
Wingfield SA 5013

1300 134 651

dixonvalve.com.au

South Australia, Adelaide

(Head Office)
170 Francis Road
Wingfield SA 5013

Queensland, Brisbane

6 Union Circuit
Yatala QLD 4207

Queensland, Mackay

38 John Vella Drive
Paget QLD 4740

Victoria, Melbourne

13 Commercial Drive
Dandenong VIC 3175

Western Australia, Perth

19 Baile Road
Canning Vale WA 6155

New South Wales, Sydney

15 Watsford Road
Campbelltown NSW 2560