



# Industrial Clamps Catalogue

*Uncommon Excellence*

<b>Industrial Clamps .....</b>	<b>3</b>
Air King™ Double Bolt Clamps .....	3
Double Bolt Clamps .....	3
Ludecke Double Bolt Clamps .....	4
Double Ear Pinch-On Clamps .....	5
Double Ear Pinch-On Clamp Service Kits .....	5
Clamp Tools for Pinch-On Clamps .....	5
Dixon™ Worm Gear Clamps .....	6
Dixon™ Miniature Worm Gear Clamps .....	7
Dixon™ HTML Hi Torque Worm Gear Clamps .....	7
Quick Release Worm Gear Clamps .....	7
T-Bolt Super Clamps - W4 .....	8
T-Bolt Super Clamps - W1 .....	9
Universal Preformed Band Style Clamps .....	10
Ultra-Lok® Band Style Clamping Systems .....	10
Ultra-Lok® Installation Tool .....	11
Clamp-it Band & Buckles .....	11
Band Clamp Hand Tools .....	12
Spiral Clamps .....	13

## Air King™ Double Bolt Clamps

### Application

- Dixon™ Air King™ clamps are recommended for use with the Air King™ couplings. Torque values are based on dry bolts. The use of lubricant on bolts will adversely affect the clamps performance.

### Materials

- Plated cast steel



Size		Part Numbers	Hose OD (mm)		Torque	Box Quantity
mm	inch		from	to	ft/lb	
10	3/8	CD	17.46	22.23	6	100
15	1/2	A4	25.40	30.16	6	50
20	3/4	A9	28.58	33.34	12	50
25	1	A10	33.34	38.10	12	50
25	1	A14 <sup>1</sup>	38.10	46.04	21	50

<sup>1</sup>Plated iron

Product Group: AD04

## Double Bolt Clamps

### Application

- For use in industrial, agriculture, mining, and various other industries.

### Features

- The inner surface has dual gripping ridges
- Bolt lugs are reinforced to prevent bending out of alignment

### Materials

- Plated iron

### Notes

- Measure hose outside diameter (OD) before selecting clamps
- Torque values for clamps are based on dry bolts
- The use of lubricant on bolts will adversely affect the clamps performance

### With 2 Saddles



Hose OD (mm)		Part Numbers	Bolt Torque		Box Quantity
from	to		ft-lbs	Nm	
88.9	96.8	400	40	54.2	25
96.0	103.2	431	40	54.2	20
102.4	108.7	463	40	54.2	20
108.0	125.4	525	60	81.3	10
114.3	133.4	550	60	81.3	10
130.2	144.5	600	60	81.3	10
144.5	150.8	639	60	81.3	10
150.8	165.1	675	60	81.3	10
165.1	192.1	769	125	169.5	5
195.3	208.2	818	125	169.5	5
209.6	225.4	875	125	169.5	5
227.0	250.8	988	125	169.5	5
252.4	288.9	1125	125	169.5	5
284.2	330.2	1275	125	169.5	3
309.6	355.6	1360	200	271.2	2
335.0	381.0	1450	200	271.2	2
382.6	444.5	1700	260	352.5	2

Product Group: AD02

## Without Saddles

Hose OD (mm)		Part Numbers	Bolt Torque		Box Quantity
from	to		ft-lbs	Nm	
28.6	30.2	J48	15	20.3	100
30.2	34.9	J49	21	28.5	50
36.5	38.9	JX49	21	28.5	25
41.3	46.0	DL14	40	54.2	25
44.5	52.0	DL20	27	36.6	25
53.6	58.3	DL24	27	36.6	25
58.7	66.7	DL32	40	54.2	25
63.5	69.9	DL275	40	54.2	25
69.9	77.8	DL306	60	81.3	20
77.8	85.7	DL328	60	81.3	20
82.6	88.9	DL350	60	81.3	20

Product Group: AD02



## Ludecke Double Bolt Clamps

### Features

- Two parts with loose saddles

### Materials

- Malleable iron

### With Safety Claws - Din 20 039 B

Hose ID		Hose OD (mm)		Part Numbers	Box Quantity
mm	inch	from	to		
12.7	½	22	29	SK29	10
20	¾	28	32	SK34	10
25	1	35	42	SK39	5
28	1 <sup>7</sup> / <sub>64</sub>	42	45	SK44	5
35	1 <sup>3</sup> / <sub>8</sub>	45	53	SK55	5
42	1 <sup>21</sup> / <sub>32</sub>	55	60	SK60	1
50	2	60	73	SK73	1

Product Group: AD02



### Without Safety Claws

Hose ID		Hose OD (mm)		Part Numbers	Box Quantity
mm	inch	from	to		
12.7	½	22	29	SL29	10
20	¾	28	34	SL34	10
25	1	32	40	SL40	10
32	1¼	39	49	SL49	10
38	1½	48	60	SL60	5
50	2	56	72	SL72	5
50	2	60	76	SL76	5
63	2½	77	94	SL94	5
76	3	94	115	SL115	1
89	3½	115	145	SL145	1

Product Group: AD02



- Consult Dixon™ when using double bolt clamps on helical wire hose
- Torque values for clamps are based on dry bolts. The use of lubricant on bolts will adversely affect the clamps performance
- Do not lubricate nuts and bolts
- Worn-out couplings can be dangerous. They should be checked regularly and replaced

## Double Ear Pinch-On Clamps

### Application

- Double ear clamps offer an easy, efficient and safe solution to securely connect hoses, pipes, or tubing. They are commonly used in various industries for applications such as compressed air, gas, and liquid lines. The design of double ear clamps offers several advantages, making them suitable for a wide range of tightening and sealing tasks.
- When ordering double ear clamps, select the nominal clamp size nearest to (but larger than), the outside diameter (OD) of the hose to be clamped after the hose has been fitted to the end fitting.



Nominal Size		Size Range (mm)		Part Numbers		Box Quantity
mm	inch	from	to	Zinc Plated Steel	Stainless Steel 304	
4.76	3/16	3.4	5.0	0305	0305R	100
6	1/4	5.0	7.0	0507	0507R	100
8	5/16	7.0	9.0	0709	0709R	100
10	3/8	8.1	11.0	0811	0811R	100
12.7	1/2	10.8	13.0	1113	1113R	100
14.3	9/16	12.5	15.0	1315	1315R	100
15	19/32	14.0	17.0	1517	1517R	100
16	5/8	16.0	19.0	1518	1518R	100
20	3/4	16.2	20.0	1720	1720R	100
20.6	13/16	18.0	22.0	1922	1922R	100
22	7/8	19.0	23.0	2023	2023R	100
23.8	15/16	21.0	25.0	2225	2225R	100
25	1	22.5	27.0	2327	2327R	100
28.5	1 1/8	26.3	31.0	2731	2731R	100
36.5	1 7/16	32	37.0	3437	3437R	100
38	1 1/2	35	40.0	3740	3740R	100

Product Group: A001

## Double Ear Pinch-On Clamp Service Kits

### Includes

- 15 x part number 0709
- 15 x part number 0911
- 15 x part number 1113
- 15 x part number 1315
- 15 x part number 1518
- 15 x part number 1720
- 12 x part number 2023
- 12 x part number 2225
- 12 x part number 2327
- 1 x pair of standard jaw pincers part number 1098



### Part Number

SK1098

Product Group: A001

## Clamp Tools for Pinch-On Clamps



### Standard Jaw

#### Part Number

1098

Product Group: A001



### Side Jaw

#### Part Number

1099

Product Group: A001

## Dixon™ Worm Gear Clamps

### Application

- Worm gear hose clamps are highly versatile due to their easy and precise adjustability. Their ability to accommodate a wide range of hose or tube diameters makes them suitable for various applications, including, automotive, plumbing, and industrial applications.

### Features

- Clamp meets SAE J1508 which supersedes mil-spec WW-C-440B
- Four-piece construction
- Screw design 8mm (5/16") slotted hex head
- Maximum recommended torque 45 in. lbs.

### Materials

#### Style HS

- Band & housing - SAE 300 series stainless steel
- Screw - SAE 1018 case-hardened, hex-free chrome zinc-plated steel

#### Style HSS

- Band & housing - SAE 300 series stainless steel
- Screw - SAE 300 series stainless steel

### Band Width - 12.7mm (1/2")

Hose OD Range (mm)		Part Numbers		Box Quantity
from	to	HS Clamps	HSS Clamps	
11	20	HS6	HSS6	10
12	23	HS8	HSS8	10
14	27	HS10	HSS10	10
17	32	HS12	HSS12	10
21	38	HS16	HSS16	10
21	45	HS20	HSS20	10
27	51	HS24	HSS24	10
33	57	HS28	HSS28	10
40	64	HS32	HSS32	10
46	70	HS36	HSS36	10
52	76	HS40	HSS40	10
59	83	HS44	HSS44	10
65	90	HS48	HSS48	10
71	95	HS52	HSS52	10
78	102	HS56	HSS56	10
84	108	HS60	HSS60	10
		Product Group: A002	Product Group: A003	



### Band Width - 14.3mm (9/16")

Hose OD Range (mm)		Part Numbers		Box Quantity
from	to	HS Clamps	HSS Clamps	
91	114	HS64	HSS64	10
48	127	HS72	HS72	10
64	140	HS80	HSS80	10
79	152	HS88	HSS88	10
92	165	HS96	HSS96	10
105	178	HS104	HSS104	10
143	216	HS128	HSS128	10
181	254	HS152	HSS152	10
238	311	HS188	HSS188	10
257	330	HS200	HSS200	10
276	350	HS212	HSS212	10
295	368	HS224	HSS224	10
315	387	HS236	HSS236	10
334	406	HS248	HSS248	10
435	508	HS312	HSS312	10
		Product Group: A002	Product Group: A003	



- Torque ratings given on this page correspond to the torque rating of the screw of the clamp, and are not an indication of the working pressure of any hose assembly installed with this clamp

# Industrial Clamps

## Dixon™ Miniature Worm Gear Clamps

### Features

- Clamp meets SAE J1508 which supersedes mil-spec WW-C-440B
- Screw design 8mm (5/16") slotted hex head
- Maximum recommended torque 15 in. lbs.
- Sold in box quantities of 10 clamps



### Materials

#### Style MH

- Band & housing - SAE 300 series stainless steel
- Screw - SAE 1018 case-hardened, hex-free chrome zinc-plated steel

#### Style MAH

- Band & housing - SAE 300 series stainless steel
- Screw - SAE 300 series stainless steel

Hose OD Range (mm)		Part Numbers		Box Quantity
from	to	Zinc Plated	Stainless Steel	
5.6	16	MH4	MAH4	10
11	20	MH6	MAH6	10
13	23	MH8	MAH8	10
14.3	27	MH10	MAH10	10
17	27	MH12	MAH12	10
24	28	MH16	MAH16	10
30	45	MH20	MAH20	10

Product Group: A001

## Dixon™ HTML Hi Torque Worm Gear Clamps

### Features

- Withstands more than three times the SAE torque requirements for worm-driven clamps
- Eight screw threads are engaged in the band simultaneously for incredible torquing drive (over 90 in. lbs.), sealing pressure and vibration resistance
- Slotted hex head screw design



### Materials

- Band & housing - 300 series half hard stainless steel
- Screw - 410 series stainless steel

Hose OD Range (mm)		Part Numbers	Box Quantity
from	to		
32	54	HTM200L	10
45	67	HTM250L	10
57	79	HTM300L	10
70	92	HTM350L	10
95	118	HTM450L	10

Product Group: A001

## Quick Release Worm Gear Clamps

### Features

- Suggested installation torque 25-35 in lbs.
- Maximum torque 50 in. lbs.
- Screw design 8mm (5/16") slotted hex head



### Materials

- Band & housing - 301 series stainless steel
- Screw - SAE 410 series stainless steel

Hose OD Range (mm)		Part Numbers	Box Quantity
from	to		
51	127	LSS72	1
52	152	LSS88	1
45	178	LSS104	1
45	218	LSS128	1
52	313	LSS188	1
259	355	LSS216	1
45	406	LSS248	1

Product Group: A001



- Torque ratings given on this page correspond to the torque rating of the screw of the clamp, and are not an indication of the working pressure of any hose assembly installed with this clamp

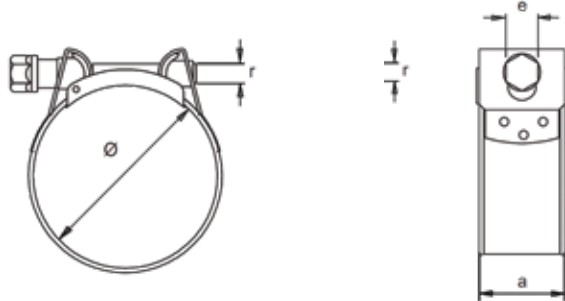
T-Bolt Super Clamps - W4

Features

- Complies with the RoHS directive EU 20032/95/EC 2006
- Swiveling bridge
- Can be opened up and fastened again when in place without dislodging other parts of the clamp
- Bevelled edges to protect the hose from damage

Materials

- Band & bridge - 304 series stainless steel
- Bolt - 302 stainless steel



Hose OD Range		Part Numbers	Dimensions (mm)			Bolt Torque (Nm)	Box Quantity
from	to		r	e	a		
17	19	SS019	M6	8	18	10	50
19	21	SS021	M6	8	18	10	50
21	23	SS023	M6	8	18	10	50
23	25	SS025	M6	8	18	10	50
23	27	SS027	M6	8	18	10	50
27	29	SS029	M7	11	20	10	50
29	31	SS031	M7	11	20	12	50
31	34	SS034	M7	11	20	12	50
34	37	SS037	M7	11	20	12	50
37	40	SS040	M7	11	20	12	50
40	43	SS043	M7	11	20	12	50
43	47	SS047	M7	11	20	12	50
47	51	SS051	M7	11	20	16	50
51	55	SS055	M7	11	20	16	25
55	59	SS059	M7	11	20	16	25
59	63	SS063	M7	11	20	16	25
63	68	SS068	M7	11	20	16	25
68	73	SS073	M8	13	25	30	25
73	79	SS079	M8	13	25	30	25
79	85	SS085	M8	13	25	30	25
85	91	SS091	M8	13	25	30	25
91	97	SS097	M8	13	25	30	25
97	104	SS104	M8	13	25	30	25
104	112	SS112	M8	13	25	30	25
112	121	SS121	M8	13	25	30	25
121	130	SS130	M8	13	25	30	25
130	140	SS140	M10	15	28	45	10
140	150	SS150	M10	15	28	45	10
150	162	SS162	M10	15	28	45	10
162	174	SS174	M10	15	28	45	10
174	187	SS187	M10	15	28	45	10
187	200	SS200	M10	15	28	45	10
200	213	SS213	M10	15	28	45	10
213	226	SS226	M10	15	28	45	10
226	239	SS239	M10	15	28	45	10
239	252	SS252	M10	15	28	45	10



Product Group: A010

## T-Bolt Super Clamps - W1

### Application

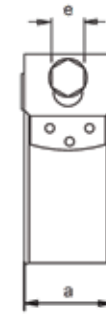
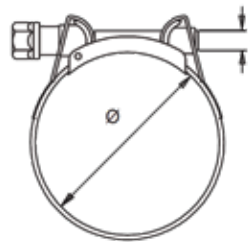
- A heavy-duty hose clamp that can be tightened up, using a variety of different tools. The super clamp is used in agricultural applications, wastewater extraction, mining, quarrying and on other sectors where a rugged, heavy-duty clamp is required.

### Features

- Swiveling bridge
- Can be opened up and fastened again when in place without dislodging other parts of the clamp
- Bevelled edges to protect the hose from damage

### Materials

- Bolt: 8.8 grade steel
- Zinc plated



Hose OD Range		Part Numbers	Dimensions (mm)			Bolt Torque (Nm)	Box Quantity
from	to		r	e	a		
17	19	SW1-17	M5	8	18	4.5	50
20	22	SW1-19	M5	8	18	4.5	50
23	25	SW1-23	M5	8	18	4.5	50
26	28	SW1-25	M5	8	18	4.5	50
29	31	SW1-29	M6	10	20	8	50
32	35	SW1-31	M6	10	20	8	50
36	39	SW1-37	M6	10	20	8	50
40	43	SW1-40	M6	10	20	8	50
44	47	SW1-43	M7	11	22	16	50
48	51	SW1-47	M7	11	22	16	50
52	55	SW1-51	M7	11	22	16	25
56	59	SW1-55	M7	11	22	16	25
60	63	SW1-59	M7	11	22	16	25
64	67	SW1-63	M7	11	22	16	25
68	73	SW1-68	M8	13	24	25	25
74	79	SW1-73	M8	13	24	25	25
80	85	SW1-79	M8	13	24	25	25
86	91	SW1-85	M8	13	24	25	25
92	97	SW1-91	M8	13	24	25	25
98	103	SW1-97	M8	13	24	25	25
104	112	SW1-104	M8	13	24	25	25
113	121	SW1-112	M8	13	24	25	25
122	130	SW1-121	M8	13	24	25	25
131	139	SW1-130	M10	17	26	50	10
140	148	SW1-140	M10	17	26	50	10
149	161	SW1-150	M10	17	26	50	10
162	174	SW1-162	M10	17	26	50	10
175	187	SW1-174	M10	17	26	50	10
188	200	SW1-187	M10	17	26	50	10
201	213	SW1-200	M10	17	26	50	10
214	226	SW1-213	M10	17	26	50	10
227	239	SW1-226	M10	17	26	50	10
240	252	SW1-239	M10	17	26	50	10

Product Group: A010

## Universal Preformed Band Style Clamps

### Features

- Install with centre punched or rolled-over tools
- Fast-Lok tools F1, F40 & F100
- Super strap tools 51960 screw action with 51970 adapter
- Punch-Lok tools P-1000 or P-38 for 3/8" & 1/2", P-3000 for 3/4"

### Materials

- Band: 210 stainless steel
- Buckles: 304 stainless steel

Clamp ID		Part Numbers	Band Width (mm)	Box Quantity
mm	inch			
20	13/16	KS3M	10	100
35	1 3/8	KS311M	10	100
25	1	KS4M	16	100
32	1 1/4	KS5M	16	100
38	1 1/2	KS6M	16	100
45	1 3/4	KS7M	16	100
50	2	KS8M	16	100
56	2 1/4	KS9M	16	100
65	2 1/2	KS10M	16	50
70	2 3/4	KS11M	16	50
76	3	KS12M	16	50
92	3 1/2	KS14M	16	50
100	4	KS16M	16	25
112	4 1/2	KS18M	16	25
125	5	KS20M	16	25
150	6	KS24M	16	25
175	7	KS28M	16	25
200	8	KS32M	16	25



Product Group: A003

## Ultra-Lok® Band Style Clamping Systems

### Features

- Ultra-Lok® provides a fast, reliable, consistent clamp made from 20mm (3/4"), 6mm (1/4") hard, high tensile 201 stainless steel for unequalled strength and reliability
- The battery-operated UL4000-DUK tool allows you to apply clamps anywhere
- Smooth ID seals tight with a gap-free, 360° seal
- The design allows locking under full tension, clamps resist rotation on pole applications

- Sizes range from 50mm (2") to 225mm (9") diameter
- Speed/torque setting on tool for consistent repeatable tensioning

### Materials

- Ban: 300 series stainless steel
- Buckles: 302 series stainless steel

Clamp ID		Part Numbers	Box Quantity
mm	inch		
50	2	UL227	100
70	2 3/4	UL210	50
80	3	UL211	50
92	3 1/2	UL212	50
100	4	UL213	25
112	4 1/2	UL214	25
125	5	UL215	25
162	6 1/2	UL217	25
175	7	UL218	25
200	8	UL219	25
225	9	UL228	10



Product Group: A003

## Ultra-Lok® Installation Tool

### Application

- To be used with Ultra-Lok® band clamps. This cordless drill provides a portable and convenient method of installation.



Part Number	Description
UL4000-DUK	Ultra-Lok® tool to suit 20mm ( 3/4") band with cordless drill Product Group: A011

## Clamp-it Band & Buckles

### Application

- Band and buckles are versatile components used for various applications such as hose assemblies, bundling, and general fastening. The band can be wrapped around an object up to twice, depending on the strength required for the application.



### Band

#### Features

- 30.4 mtrs (100ft) per box

#### Materials

- 201 Stainless steel

Width		Part Numbers	Colour	Thickness
mm	inch			
10	3/8	SS375M	Yellow	0.64
12.5	1/2	SS500M	Blue	0.76
16	5/8	SS625M	Green	0.76
20	3/4	SS750M	Red	0.76

Product Group: A011

### Buckles

#### Features

- 100 per box

#### Materials

- Stainless steel



Width		Part Numbers	Thickness
mm	inch		
10	3/8	CS375M	0.64
12.5	1/2	CS500M	0.76
16	5/8	CS625M	0.76
20	3/4	CS750M	0.76

Product Group: A011

**Band Clamp Hand Tools**

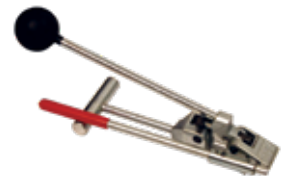
Part Number	Description
F100	Hand held tool for application of 3/8" & 5/8" band clamps Product Group: A006



Part Number	Description
F229	3/8" Clamp adaptor for F100 tool only Product Group: A006



Part Number	Description
C2	Clamping tool for band & buckles - lightweight with side-entry Product Group: A006



Part Number	Description
F1	Hand tool for application of 5/8" band clamps Product Group: A006



Part Number	Description
51960	Clamping tool for band & buckles - for vice application only Product Group: A006



Part Number	Description
51970	Adaptor for installing preformed clamps for part number 51960 Product Group: A006



## Spiral Clamps

### Application

- Clockwise and anti-clockwise clamps are used for securing convoluted cover hoses, which are hoses with a spiral or corrugated outer cover. The spiral clamp is specifically designed to fit between the corrugations of the hose cover, providing a secure and tight grip on the hose.

### Features

- Use on convoluted cover hose
- Clockwise wound or anti-clockwise wound

### Materials

- Carbon steel band CW15 DIN 1-114 1
- Zinc-plated chromate/passivated

### Notes

- To determine which style clamp is needed for your hose, look at the end of the hose, if the helix spirals in a clockwise direction away from you (along the hose), a clockwise clamp is needed
- More than one clamp may be needed per size, contact Dixon's customer service



**Clockwise Spiral Clamp (right hand)**

Hose ID		Hose OD (mm)		Part Numbers	Box Quantity
mm	inch	from	to		
38	1½	38.8	46	SC150	100
50	2	57.9	63.5	SC200	100
65	2½	69	73	SC250	50
76	3	80	88.9	SC300	50
100	4	100	114.3	SC400	50
125	5	129.4	139.7	SC500	20
150	6	158.7	177.8	SC600	20
200	8	215.9	234.95	SC800	20

Product Group: A009



**Anti-Clockwise Spiral Clamp (left hand)**

Hose ID		Hose OD (mm)		Part Numbers	Box Quantity
mm	inch	from	to		
50	2	57.9	63.5	SCCW200	100
65	2½	69	73	SCCW250	50
76	3	80	88.9	SCCW300	50
100	4	100	114.3	SCCW400	50
125	5	129.4	139.7	SCCW500	20
150	6	158.7	177.8	SCCW600	20

Product Group: A009



*The Right Connection®*

**Dixon (Asia Pacific) Pty Ltd**

170 Francis Road  
Wingfield SA 5013

1300 134 651

**[dixonvalve.com.au](http://dixonvalve.com.au)**

**South Australia, Adelaide**

(Head Office)  
170 Francis Road  
Wingfield SA 5013

**Queensland, Brisbane**

6 Union Circuit  
Yatala QLD 4207

**Queensland, Mackay**

38 John Vella Drive  
Paget QLD 4740

**Victoria, Melbourne**

13 Commercial Drive  
Dandenong VIC 3175

**Western Australia, Perth**

19 Baile Road  
Canning Vale WA 6155

**New South Wales, Sydney**

15 Watsford Road  
Campbelltown NSW 2560