



Dry Disconnect Fittings Catalogue

Uncommon Excellence

Dry Disconnect Fittings.....	3
Safety Break-Away Couplings - Break Bolt Industrial Version	3
Safety Break-Away Couplings - Break Bolt Marine Version	4
Safety Break-Away Couplings.....	5
Option Non-Closure Design.....	5
Safety Break-Away Couplings - Cable Release Series	6
Dry Disconnect Couplings	7
Dry Disconnect Coupler - Hose Unit.....	8
Dry Disconnect Adaptor - Tank Unit	9
Dry Aviation Coupler - Hose Unit.....	10
Dry Aviation - Sight Flow Indicator with Filter/Screen	11
Dry Aviation Adaptor - Tank Unit	11
Dry Aviation Dust Cap for Couplers	12
Dry Disconnect Fittings for Steam Service	12
Dry Gas Couplers - Hose Unit	12
Dry Gas Adaptors - Tank Unit.....	13
Liquid Natural Gas Couplings	14
Bayloc™ Dry Break Cam & Groove Disconnect Couplings - Couplers.....	15
Dry Break Cam & Groove Disconnect Couplings - Adaptors	17
Dry Break Bayonet Style.....	18

Dry Disconnect Fittings

Safety Break-Away Couplings - Break Bolt Industrial Version

Application

- The break bolt industrial breakaway coupling is designed to minimise spillage and damage associated with drive-away and pull-away incidents.



Design

- Coupling bolts will break at a preset load, causing the coupler to disconnect and valves close
- Simple mechanism, no loose components lost after release
- High flow rate/low-pressure drop
- Female NPT or BSP is standard, optional ANSI/DIN flanges available
- 250mm (10") & 300mm (12") sizes available

Materials

- Stainless steel or aluminium

Working Pressure

- Stainless steel - 360 PSI @ 21°C
- Aluminium - 230 PSI @ 21°C

Seal

- FKM is the standard seal



Female x Female

Size		Part Numbers			
		NPT		BSP	
DN	inch	Stainless Steel	Aluminium	Stainless Steel	Aluminium
25	1	SBC100SS	SBC100AL	SBC100SSA	SBC100ALA
50	2	SBC200SS	SBC200AL	SBC200SSA	SBC200ALA
80	3	SBC300SS	SBC300AL	SBC300SSA	SBC300ALA
100	4	SBC400SS	SBC400AL	SBC400SSA	SBC400ALA
125	5	SBC500SS	SBC500AL	SBC500SSA	SBC500ALA
150	6	SBC600SS	SBC600AL	SBC600SSA	SBC600ALA

Product Group: AS01



Male x Male

Size		Part Numbers			
		NPT		BSP	
DN	inch	Stainless Steel	Aluminium	Stainless Steel	Aluminium
50	2	SBC200SSMNPT	SBC200ALMNPT	SBC200SSMBSP	SBC200ALMBSP
80	3	SBC300SSMNPT	SBC300ALMNPT	SBC300SSMBSP	SBC300ALMBSP
100	4	SBC400SSMNPT	SBC400ALMNPT	SBC400SSMBSP	SBC400ALMBSP
125	5	SBC500SSMNPT	SBC500ALMNPT	SBC500SSMBSP	SBC500ALMBSP
150	6	SBC600SSMNPT	SBC600ALMNPT	SBC600SSMBSP	SBC600ALMBSP

Product Group: AS01



ANSI 150 Flange x ANSI 150 Flange

Size		Part Numbers	
DN	inch	Stainless Steel	Aluminium
25	1	SBC100SSFL	-
50	2	SBC200SSFL	SBC200ALFL
80	3	SBC300SSFL	SBC300ALFL
100	4	SBC400SSFL	SBC400ALFL
125	5	SBC500SSFL	SBC500ALFL
150	6	SBC600SSFL	SBC600ALFL
200	8	SBC800SSFL	-

Product Group: AS01

Safety Break-Away Couplings - Break Bolt Marine Version

Application

- The break bolt marine version break-away coupling is designed to minimise spillage and damage associated with pull-away incidents. Typical applications include ship-to-offshore platform and ship-to-ship product transfer operations.

Design

- Designed to be installed within a hose string where the coupling will have a length of hose attached to both sides
- Coupling bolts will break at a preset load, causing the coupler to disconnect and valves close
- Release is executed with force causing the bolts to break
- Female NPT or BSP is standard, optional ANSI/DIN flanges are available
- 250mm (10") & 300mm (12") sizes available

Materials

- 316Ti stainless steel body

Working Pressure

- 360 PSI @ 21°C

Seal

- FKM is the standard seal



Female x Female

Size		Part Numbers	
DN	inch	NPT	BSP
50	2	MSBC200SS	MSBC200SSA
80	3	MSBC300SS	MSBC300SSA
100	4	MSBC400SS	MSBC400SSA
125	5	MSBC500SS	MSBC500SSA
150	6	MSBC600SS	MSBC600SSA

Product Group: AS01



Male x Male

Size		Part Numbers	
DN	inch	NPT	BSP
50	2	MSBC200SSMNPT	MSBC200SSMBSP
80	3	MSBC300SSMNPT	MSBC300SSMBSP
100	4	MSBC400SSMNPT	MSBC400SSMBSP
125	5	MSBC500SSMNPT	MSBC500SSMBSP
150	6	MSBC600SSMNPT	MSBC600SSMBSP

Product Group: AS01



ANSI 150 Flange x ANSI 150 Flange

Size		Part Numbers
DN	inch	Stainless Steel
50	2	MSBC200SSFL
80	3	MSBC300SSFL
100	4	MSBC400SSFL
125	5	MSBC500SSFL
150	6	MSBC600SSFL
200	8	MSBC800SSFL

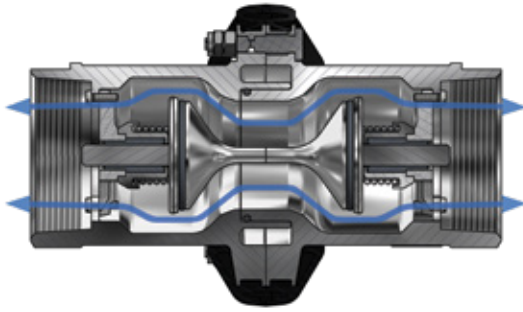
Product Group: AS01



Dry Disconnect Fittings

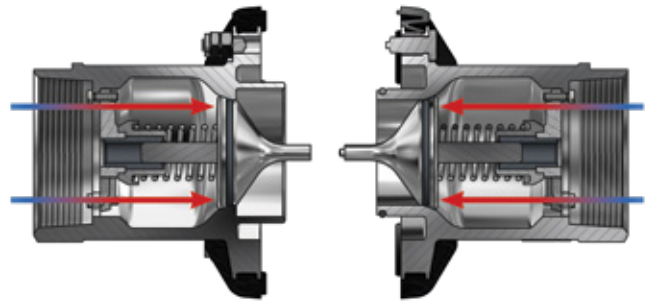
Safety Break-Away Couplings

How It Works



Before Emergency Disconnect

The safety break-away valve consists of two halves, each with a valve that has an O-ring seal



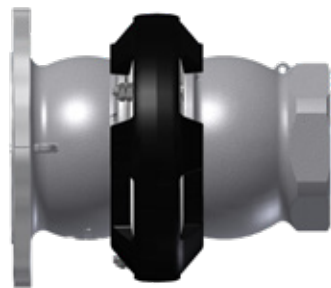
After Emergency Disconnect

When the safety break-away couplings separate, it allows the valves to close. The two valves close rapidly, minimising exposure to personnel and the environment

Option Non-Closure Design

The non-closure design is an economical alternative that allows the coupling to break away due to pull-away/drive-away incidents thus protecting piping systems and equipment. This design allows spillage of product in these instances as there is no valve in the coupling. Useful in applications where a non-hazardous product is being conveyed and where there are no environmental concerns. Available in both Industrial and Marine versions. Consult Dixon™ for more information.

Industrial and Marine Safety Break-Away Couplings are also available in BSP thread, DN Flange, 300# ASA Flange, Grooved Ends or any combination thereof.



Flange/Thread
(BSP/NPT, female/male or grooved)



NPT Female Thread/NPT Male Thread
(also available with BSP)



Grooved/Grooved



NPT Female Thread/Grooved

Safety Break-Away Couplings - Cable Release Series

Application

- Cable release is specifically designed to avoid placing load on hoses and equipment, for example loading arms.

Design

- Couplings feature a simple mechanism and no loose components to lose after release
- In some applications the necessary force of the breaking bolts may be too high to prevent damage to loading arms or other pipe and equipment; under these conditions, the use of cable release safety break-aways may be more suitable
- Cable length is set to release the clips holding coupling halves together before damage can occur to pipe or hose fitting
- When the coupling separates, the poppet valves close

Materials

- 316Ti stainless steel body

Working Pressure

- 360 PSI @ 21°C

Seal

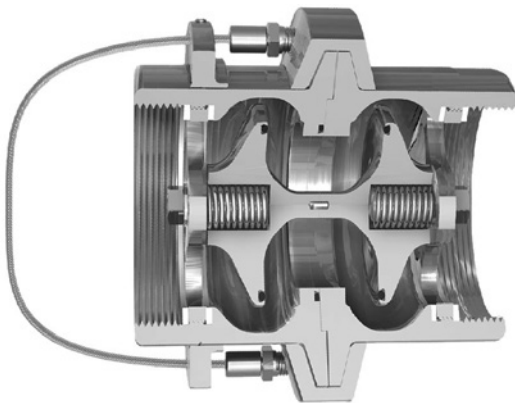
- FKM is the standard seal

Size		Part Numbers	Width (mm)	Length (mm)	Weight (kg)	Flow Rate (lpm)
DN	inch					
40	1½	SBC150SS-CR	98	142	3.1	378
50	2	SBC200SS-CR	110	144	4.1	500
80	3	SBC300SS-CR	145	195	8.5	1000
100	4	SBC400SS-CR	185	226	16.1	1500

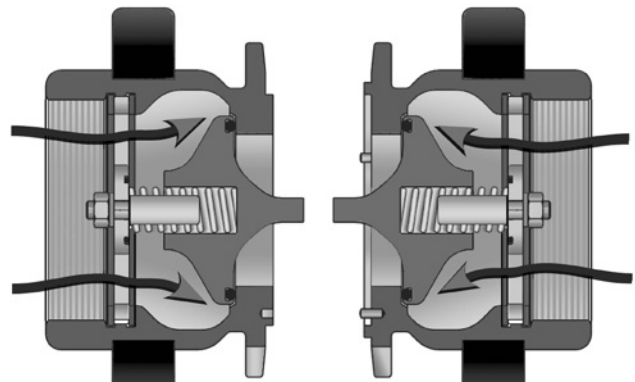


Product Group: AS01

How It Works



The safety break-away valve consists of two halves, each with a valve that has a flat type-sealing surface similar to a dry disconnect coupling



When the safety break-away couplings separate, it allows the poppets to close. The two valves close rapidly, minimising exposure to personnel and the environment

Option Non-Closure Design

The non-closure design is an economical alternative that allows the coupling to break away due to pull-away/drive-away incidents thus protecting piping systems and equipment. This design allows spillage of product in these instances due to the lack of valving in the coupling. Useful in applications where a non-hazardous product is being conveyed and where there are no environmental concerns. Available in both industrial and marine versions. Consult Dixon™ for more information.

Dry Disconnect Couplings



When Your Product Is:

- Expensive
- Expensive to clean up
- Expensive to reprocess or dispose
- Hazardous to workers or the environment
- Prone to accidental spillage and product loss

Application

- Dry disconnect couplings are designed for quick and spill-free connection and disconnection of hoses and pipelines. They are used by producers of ink, adhesives, fatty acids, pharmaceuticals, liquid soaps, petroleum, chemicals, agriculture, and a wide variety of common caustic and speciality acids.

Features

- Easy to handle - push & turn - free flow, turn & pull - closed
- Time-saving - no need to drain hoses or pipe systems
- Economical - no loss or spillage of liquids at connection or disconnection
- Safety - the valve cannot be opened until the unit is coupled
- Environmentally friendly - accidental spillage is eliminated when properly used
- Safe & reliable - due to rugged construction
- Product life - uncomplicated design and high-quality materials ensure long product life
- Selectivity - to avoid product contamination, selective versions of the couplers and adaptors are available
- Produced according to NATO standard STANAG 3756 & ATOFINA SGM 2049.TUY.C
- Interchanges with Avery Hardoll and Todo-matic®

Working Pressure

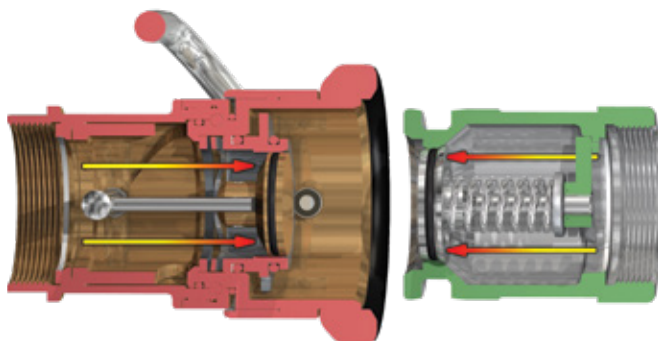
- Aluminium up to 100mm (4") 230 PSI @ 21°C
- Brass/gunmetal up to 100mm (4") 230 PSI @ 21°C
- Stainless steel 360 PSI @ 21°C

Seals

- FKM is the standard
- Also available - EPDM, Nitrile Buna, Kalrez®, Chemraz®
- Seal kits are available

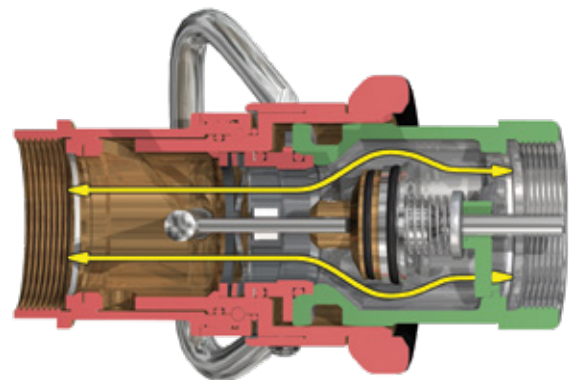
How It Works

The principle of operation is identical for all sizes of couplings.



Closed

Turn and pull it's released - no spillage



Open

Push and turn it's coupled - full flow

Dry Disconnect Coupler - Hose Unit

Design

- Coupler has a built-in swivel
- Riveted piston pin to minimise the risk of failure under extreme pressure conditions

Materials

- Stainless steel ball bearings
- Shaft journal in stainless steel embedded in PTFE to eliminate seizure
- Protecting ring is weather-resistant rubber

- Electrically conductive
- All wetted parts are stainless steel
- Rollers for the aluminium and brass units are aluminium-bronze on the stainless steel shaft
- Composite (polyethylene) plugs provide very good protection against corrosion and withstand hot and cold environments

Seals

- FKM is the standard

Female NPT with FKM Seals

Female Thread		Part Numbers			Body Size (mm)
DN	inch	316 Stainless Steel	Anodised Aluminium	Brass/Gunmetal	
20	¾	DDC075SS	DDC075AL	DDC075BR	56
25	1	DDC100SS	DDC100AL	DDC100BR	56
40	1½	DDC150SS	DDC150AL	DDC150BR	70
50	2	DDC200SS	DDC200AL	DDC200BR	70
65	2½	DDC250SS	DDC250AL	DDC250GM	105
80	3	DDC300SS	DDC300AL	DDC300GM	119
100	4	DDC400SS	DDC400AL	DDC400GM	164
150	6	DDC600SS	DDC600AL	-	238

Product Group: AS01



¾" & 1" Design



1½" & 2" Design

Female BSP with FKM Seals

Female Thread		Part Numbers		Body Size (mm)
DN	inch	316 Stainless Steel	Anodised Aluminium	
20	¾	DDC075SSA	DDC075ALA	56
25	1	DDC100SSA	DDC100ALA	56
40	1½	DDC150SSA	DDC150ALA	70
50	2	DDC200SSA	DDC200ALA	70
65	2½	DDC250SSA	DDC250ALA	105
80	3	DDC300SSA	DDC300ALA	119
100	4	DDC400SSA	DDC400ALA	164
150	6	DDC600SSA	DDC600ALA	238

Product Group: AS01



3" & 4" Design

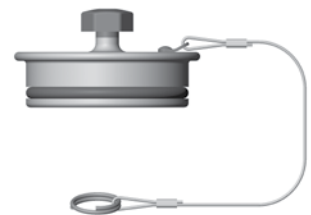


6" Design

Dust Plugs for Couplers

Coupler Size		Part Numbers			Body Size (mm)
DN	inch	Polyethylene	Stainless Steel	Aluminium	
20	¾ & 1	DDDP075	DDDP075SS	DDDP075AL	56
40	1½ & 2	DDDP150	DDDP150SS	DDDP150AL	70
50	2½	DDDP250	DDDP250SS	DDDP250AL	105
65	3	DDDP300	DDDP300SS	DDDP300AL	119
80	4	DDDP400	DDDP400SS	DDDP400AL	164
150	6	DDDP600	DDDP600SS	DDDP600AL	238

Product Group: AS01



Dry Disconnect Fittings

Dry Disconnect Adaptor - Tank Unit

Application

- The adaptor is typically on the tank or manifold. Available in male and female BSP, NPT, or 150# ASA flange (ANSI), and TTMA flange.

Design

- Conical valve seat to eliminate the risk of 'piston blowout'
- PTFE bearing between the piston shaft and the piston guide to eliminate the risk of seizure

Materials

- Aluminium adaptor - aluminium poppet, stainless steel internal parts
- Stainless steel adaptor - stainless steel poppet, stainless steel internal parts
- Brass/gunmetal adaptor - brass poppet, brass, and stainless steel internal parts
- Composite (polyethylene) caps provide very good protection against corrosion and withstand hot and cold environments



Female NPT x Adaptor
316 Stainless Steel

Adaptor x Female NPT with FKM Seals

Female Thread		Part Numbers			Body Size (mm)
DN	inch	316 Stainless Steel	Anodised Aluminium	Brass/Gunmetal	
20	¾	DDA075SS	DDA075AL	DDA075BR	56
25	1	DDA100SS	DDA100AL	DDA100BR	56
40	1½	DDA150SS	DDA150AL	DDA150BR	70
50	2	DDA200SS	DDA200AL	DDA200BR	70
65	2½	DDC250SS	DDC250AL	DDA250GM	105
80	3	DDA300SS	DDA300AL	DDA300GM	119
100	4	DDA400SS	DDA400AL	DDA400GM	164
150	6	DDA600SS	DDA600AL	-	238

Product Group: AS01



Female BSP x Adaptor
316 Stainless Steel

Adaptor x Female BSP with FKM Seals

Female Thread		Part Numbers			Body Size (mm)
DN	inch	316 Stainless Steel	Anodised Aluminium	Brass/Gunmetal	
20	¾	DDA075SSA	DDA075ALA	-	56
25	1	DDA100SSA	DDA100ALA	-	56
40	1½	DDA150SSA	DDA150ALA	-	70
50	2	DDA200SSA	DDA200ALA	-	70
65	2½	DDA250SSA	DDA250ALA	-	105
80	3	DDA300SSA	DDA300ALA	-	119
100	4	DDA400SSA	DDA400ALA	-	164
150	6	DDA600SSA	DDA600ALA	-	238

Product Group: AS01



150# Flange x Adaptor
Aluminium

Adaptor x 150# ASA (ANSI) Flange with FKM Seals

Adaptor/Flange Size		Part Numbers			Body Size (mm)
DN	inch	316 Stainless Steel	Anodised Aluminium	Brass/Gunmetal	
20	¾	DDA075SSFL	DDA075ALFL	DDA075BRFL	56
25	1	DDA100SSFL	DDA100ALFL	DDA100BRFL	56
40	1½	DDA150SSFL	DDA150ALFL	DDA150BRFL	70
50	2	DDA200SSFL	DDA200ALFL	DDA200BRFL	70
65	2½	DDC250SSFL	DDC250ALFL	DDA250GMFL	105
80	3	DDA300SSFL	DDA300ALFL	DDA300GMFL	119
100	4	DDA400SSFL	DDA400ALFL	DDA400GMFL	164
150	6	DDA600SSFL	DDA600ALFL	-	238

Product Group: AS01

Adaptor x TTMA Flange with FKM Seals

Adaptor/Flange Size		Part Numbers		Body Size (mm)
DN	inch	Anodised Aluminium		
80	3	DDA300AL105TTMA		105
80	3	DDA300AL119TTMA		119
100	4	DDA400AL164TTMA		164

Product Group: AS01



TTMA Flange x Adaptor

Dust Caps for Adaptors

Adaptor Size		Part Numbers				Body Size (mm)
DN	inch	Polyethylene	Stainless Steel	Aluminium	Pressure Cap	
20	¾ & 1	DDDC075	DDDC075SS	DDDC075AL	-	56
40	1½ & 2	DDDC150	DDDC150SS	DDDC150AL	DDDC150PR	70
50	2½	DDDC250	DDDC250SS	DDDC250AL	DDDC250PR	105
65	3	DDDC300	DDDC300SS	DDDC300AL	DDDC300PR	119
80	4	DDDC400	DDDC400SS	DDDC400AL	DDDC400PR	164
150	6	DDDC600	DDDC600SS	DDDC600AL	-	238

Product Group: AS01



Dry Aviation Coupler - Hose Unit

Application

- Dry aviation couplings are designed for use in aviation and military refuelling systems.

Design

- Not configured for underwing refuelling
- Riveted piston pin to minimise the risk of failure under extreme pressure conditions

- Plugs in composite (polyethylene), provide very good protection against corrosion and withstand both hot and cold environments
- The protective ring is a specially formulated, weather resistant and electrically conductive rubber compound

Materials

- Coupling ring - gunmetal
- Bayonet flange and inner parts - stainless steel and aluminium
- Stainless steel ball bearings
- Gunmetal coupling ring minimises the risk of seizure
- Stainless steel shaft journal embedded in PTFE to eliminate seizure
- PTFE bearings between the driving plate and the piston guide eliminate the risk of seizure

Approvals

- Manufactured to accept international standard 65mm (2½") point bayonet, hose end refuelling nozzles according to ISO45/MS24484/STANAG3105/British Aerospace Spec. 2C14

Working Pressure

- 150 PSI

Coupler x Female Thread with FKM Seals

Female Thread		Part Numbers		Body Size Suits	Material
DN	inch	Female NPT	Female BSP		
65	2½	DAC250AL	DAC250ALBSP	ISO 45	Aluminium
80	3	DAC300AL	DAC300ALBSP	ISO 45	Aluminium

Product Group: AS01



Female Thread x Coupler

Dry Disconnect Fittings

Dry Aviation - Sight Flow Indicator with Filter/Screen

Design

- Filter/screen can be inspected through the sight glass and is easily removed if cleaning is required

Materials

- Screen - 100 mesh



Female Thread		Male Thread		Part Numbers	Material
DN	inch	DN	inch		
65 NPT	2½ NPT	65 BSP	2½ BSP	ASFI25T25B	Aluminium
80 NPT	3 NPT	80 BSP	3 BSP	ASFI30T30B	Aluminium
65 NPT	2½ NPT	65 NPT	2½ NPT	ASFI25T25T	Aluminium
80 NPT	3 NPT	80 NPT	3 NPT	ASFI30T30T	Aluminium

Product Group: AS01

Dust Plug for Couplers



Size		Part Number	Body Size Suits	Material
DN	inch			
65 & 80	2½ & 3	DADP250	ISO 45	Polyethylene

Product Group: AS01

Dry Aviation Adaptor - Tank Unit

Application

- Dry Aviation Couplings are designed for use in aviation and military refuelling systems.

Design

- Not configured for underwing refuelling

Materials

- Body - high strength aluminium, stainless steel also available
- Coupling ring - gunmetal
- Bayonet flange and inner parts - stainless steel and aluminium
- All wetted parts are in aluminium and stainless steel
- Gunmetal coupling ring minimises the risk of seizure
- PTFE bearings between the piston shaft & the piston guide eliminate the risk of seizure

- The conical valve seat eliminates the risk of piston blow-out when extreme pressure is used
- Composite (polyethylene) cap provides good protection against corrosion and withstands both hot and cold environments

Approvals

- Manufactured to accept international standard 65mm (2½") point bayonet, hose end refuelling nozzles according to ISO45/MS24484/STANAG3105/British Aerospace Spec. 2C14

Working Pressure

- 150 PSI



Adaptor x Female NPT

Adaptor x Female NPT with FKM Seals

Female Thread		Part Numbers	Body Size Suits	Material
DN	inch			
65	2½	DAA250AL	ISO 45	Aluminium
80	3	DAA300AL	ISO 45	Aluminium

Product Group: AS01



Adaptors x 150# ASA

Adaptor x 150# ASA (ANSI) Flange with FKM Seals

Adaptor/Flange Size		Part Numbers	Body Size Suits	Material
DN	inch			
65	2½	DAA250ALFL	ISO 45	Aluminium
80	3	DAA300ALFL	ISO 45	Aluminium

Product Group: AS01

Dry Aviation Dust Cap for Couplers

Size		Part Number	Body Size Suits	Material
DN	inch			
65 & 80	2½ & 3	DADC250	ISO 45	Polyethylene Product Group: AS01



Dry Disconnect Fittings for Steam Service

Application

- Designed to fit hoses carrying steam used in chemical (heating), pharmaceutical (disinfection and sterilisation) and at loading bays.

Materials

- Coupling housing and all inner parts are stainless steel
- Seals are EPDM (standard), contact Dixon™ for other materials

Features

- Unintentional separation is eliminated preventing accidents and avoiding unintended down-time
- Performance unaffected by surface rust
- Lockable versions are available, contact Dixon™ for more information

Female NPT

Female Thread		Part Numbers		Body Size (mm)
DN	inch	Coupler	Adaptor	
20	¾	DDSC075SS	DDSA075SS	56
25	1	DDSC100SS	DDSA100SS	56
40	1½	DDSC150SS	DDSA150SS	70
50	2	DDSC200SS	DDSA200SS	70

Product Group: AS01



Female Thread x Coupler



Female Thread x Adaptor

Dry Gas Couplers - Hose Unit

Application

- Dry Gas Couplings are designed for safe loading and discharge of bobtails or intermediate bulk delivery trucks. They are quick and easy to connect and can be connected to a tank unit with pressures up to 225 PSI. If the pressure is higher you can equip the couplings with a pressure relief valve. The easy-to-connect pressure relief valve dissipates trapped fluid pressure into the hose coupler without spillage. The primary application of dry gas couplings is in the handling of LPG, Propane and Butane.

Design

- Safe handling of LPG
- Easy to use and saves time
- Reliable and easy to maintain
- Can be coupled against higher pressure
- Minimises the risk of cold burns
- Minimises spillage and product loss
- Minimises health risks
- Keeps the environment free of hazardous vapours and liquids
- Compatible with existing dry disconnect couplings

Materials

- Stainless steel and brass/gunmetal
- NBR90 seals
- Female NPT and ASA (ANSI) flanges
- Caps and plugs in composite (polyethylene), provide very good protection against corrosion, and withstand both hot and cold environments

Working Pressure

- 360 PSI

Coupler x Female NPT with NBR90 Seals

Female Thread		Part Numbers	Body Size (mm)	Material
DN	inch			
25	1	DGC100SS	56	Stainless steel
50	2	DGC200SS	71	Stainless steel
80	3	DGC300SS	119	Stainless steel

Product Group: AS01



Dry Disconnect Fittings



Dust Plug for Couplers

Size		Part Numbers	Body Size (mm)	Material
DN	inch			
25	1	DGDP100	56	Polyethylene
50	2	DGDP200	71	Polyethylene
80	3	DGDP300	119	Polyethylene

Product Group: AS01

Dry Gas Adaptors - Tank Unit

Adaptors x Female NPT with NBR90 Seals



Female Thread		Part Numbers	Body Size (mm)	Material
DN	inch			
25	1	DGA100SS	56	Stainless steel
50	2	DGA200SS	71	Stainless steel
80	3	DGA300SS	119	Stainless steel

Product Group: AS01

Adaptors x Female ACME Thread with FKM Seals



Female Thread		Part Numbers	Body Size (mm)	Material
DN	inch			
45	1¾	DGA100SS175	56	Stainless steel
83	3¼	DGA200SS325	71	Stainless steel

Product Group: AS01

Adaptors x 150# ASA (ANSI) Flange with NBR90 Seals



Adaptor/Flange Size		Part Numbers	Body Size (mm)	Material
DN	inch			
25	1	DGA100SSFL	56	Stainless steel
50	2	DGA200SSFL	71	Stainless steel
80	3	DGA300SSFL	119	Stainless steel

Product Group: AS01

Dust Cap for Adaptors



Size		Part Numbers	Body Size (mm)	Material
DN	inch			
25	1	DGDC100	56	Rubber
50	2	DGDC200	71	Rubber
80	3	DGDC300	119	Rubber

Product Group: AS01

Liquid Natural Gas Couplings

Application

- Safe and reliable transfer of cryogenic liquefied natural gas (LNG) products to transport equipment such as cargo tanks, portable tanks, and liquefied natural gas liquid production facilities.

Features

- Fixed-end design threads on tank truck pipe connection line, manifold, pipe outlet, or pipe connection
- PTFE gasket reduces the force needed to make a tight connection
- Connect by hammering the Acme threaded nut onto a fixed end
- Hose end designed female NPT thread attached to hose end
- Snap ring keeps connection nut in place for easier connecting
- Hose end lugs intended to be struck with a non-sparking hammer or similar non-sparking device

Specifications

- Compatible with LNG coupling made to CGA guidelines
- Temperature as low as -196C (-320°C) at standard LNG transfer pressures
- 450 PSI working pressure with a 4:1 safety factor

Approval

- Meets CGA V-6 LNG-30 guidelines

Materials

- Body: Brass
- Seal: PTFE

Fixed End with Cap



LNG30BRFE-NC



LNGBRFECAP



LNG30FESEAL



LNG30BRFE
Fixed End with Cap

Size (mm)		Part Numbers	Description
mm	inch		
50	2	LNG20BRFE	LNG30 Fixed end with 2" female NPT thread/cap & retaining cable
80	3	LBG30BRFE	LNG30 fixed end with 3" female NPT thread/cap & retaining cable
80	3	LNG30BRFE-NC	LBG30 fixed end with 3" female NPT thread
80	3	LNG30FESEAL	LNG30 PTFE seal
-	-	LNGBRFECAP	Cap for LNG30BRFE & LNG20BRFE

Product Group: AS11

Hose End with Plug



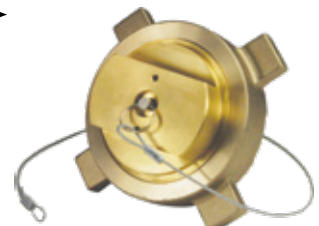
LNG30BRHE-NC



LNG30BRHENUT



LNGBRHEPLUG



LNG30BRHE
Hose End with Plug

Size (mm)		Part Numbers	Description
mm	inch		
50	2	LNG20BRHE	LNG30 hose end with 2" female NPT thread/with plug & retaining
50	2	LNG20BRHE-NC	LNG20 hose end with 2" female NPT thread
80	3	LNG30BRHE	LNG30 hose end with 3" female NPT thread/with plug & retaining
80	3	LNG30BRHE-NC	LNG30 hose end with 3" female NPT thread
80	3	LNG30BRHENUT	LNG30 swivel nut
-	-	LNGBRHEPLUG	Plug for LNG30BRHE & LNG20BRHE

Product Group: AS11

Dry Disconnect Fittings

Bayloc™ Dry Break Cam & Groove Disconnect Couplings - Couplers

Application

- Fully interchangeable with Kamvalok (OPW trademark) style fittings.

Design

- Dixon™ EZ Boss-Lock™ cam arms standard on all 40mm (1½") and 50mm (2") fittings provide high security from accidental opening due to vibration or snagging
- Large paddle-type locking cam arms standard on 80mm (3") fittings allow for an easy grip
- Dry disconnect coupler has an automatic closing poppet assembly
- Strong handle attachment prevents bending of the crank assembly

Materials

- Heavy-duty stainless steel crank and link
- Stainless steel investment cast handles
- Aluminium fittings have stainless steel internals

Notes

- Must be used with a DBA-style adaptor for the coupler to operate. Adaptor sold separately
- FFPM gasket, main seal O-ring and handle O-ring/ PTFE seals on cylinder assembly, stuffing box, and seal under poppet screw
- Stainless steel corrosion resistance is equivalent to 304 stainless steel



1½" & 2" Coupler x Female NPT



3" Coupler x Female NPT

Female Thread		Coupler Size		Part Numbers				Seal Material
mm	inch	mm	inch	Aluminium		Stainless Steel		
				NPT	BSP	NPT	BSP	
40	1½	50	2	DBC61-150	-	DBC71-150	DBC71-150-BSP	Nitrile Buna Rubber
50	2	65	2½	DBC61-200	-	DBC71-200	-	Nitrile Buna Rubber
80	3	100	4	DBC61-300	-	DBC71-300	DBC71-300-BSP	Nitrile Buna Rubber
40	1½	50	2	DBC62-150	-	DBC72-150	-	FKM
50	2	65	2½	DBC62-200	-	DBC72-200	-	FKM
80	3	100	4	DBC62-300	-	DBC72-300	-	FKM
40	1½	50	2	DBC63-150	-	DBC73-150	DBC73-150-BSP	PTFE encapsulated silicone & FFPM
50	2	65	2½	DBC63-200	DBC63-200-BSP	DBC73-200	DBC73-200-BSP	PTFE encapsulated silicone & FFPM
80	3	100	4	DBC63-300	-	DBC73-300	DBC73-300-BSP	PTFE encapsulated silicone & FFPM
40	1½	50	2	DBC64-150	-	DBC74-150	-	EPT
50	2	65	2½	DBC64-200	-	DBC74-200	-	EPT
80	3	100	4	DBC64-300	-	DBC74-300	-	EPT
40	1½	50	2	-	-	DBC76-150	-	FFPM & PTFE
50	2	65	2½	DBC66-200	-	DBC76-200	-	FFPM & PTFE
80	3	100	4	-	-	DBC76-300	-	FFPM & PTFE
40	1½	50	2	-	-	DBC77-150	-	PTFE encapsulated FKM & FFPM
50	2	65	2½	-	-	DBC77-200	-	PTFE encapsulated FKM & FFPM
80	3	100	4	-	-	DBC77-300	-	PTFE encapsulated FKM & FFPM
80	3	100	4	DBC69-300	-	DBC79-300	-	FKM-B

Product Group: AS02

Greaseless Coupler x Female NPT

Material

- Stainless steel

Female Thread		Coupler Size		Part Numbers	Seal Material
mm	inch	mm	inch		
40	1½	50	2	DBC77-150-GL	PTFE encapsulated FKM & FFPM
50	2	65	2½	DBC77-200-GL	PTFE encapsulated FKM & FFPM

Product Group: AS02

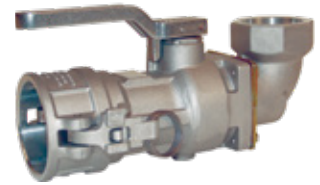
Coupler x 90° Swivel Female NPT

Material

- Aluminium

Female Thread		Coupler Size		Part Numbers	Seal Material
mm	inch	mm	inch		
50	2	65	2½	DBS61-200	Nitrile Buna Rubber
50	2	65	2½	DBS62-200	FKM
50	2	65	2½	DBS63-200	PTFE encapsulated silicone & FFPM Product Group: AS02

Must be used with a DBA style adaptor for the coupler to operate
Adaptor sold separately



Dust Plugs for Couplers

Size		Part Numbers	
mm	inch	Aluminium	Stainless Steel
50	2	ALDC200DP	SS200DP
65	2½	ALDC250DP	SS250DP
100	4	ALDC400DP	SS400DP

Product Group: AS05



Lock Kit for Couplers

Size		Part Numbers	Material	Description
mm	inch			
40 & 50	1½ & 2	DBCL-200	Aluminium	For use with dry disconnect couplers
80	3	DBCL-300	Aluminium	For use with dry disconnect couplers

Product Group: AS02



Seeking **effective preventive measures** to avoid major leakages?

Choose Bayloc® Cam & Groove Dry Disconnect.



Dry Disconnect Fittings

Dry Break Cam & Groove Disconnect Couplings - Adaptors

Application

- Compatible with most cam and groove style dry disconnects. Fully interchangeable with Kamvalok (OPW trademark) style fittings.

Design

- The Bayco™ dry disconnect helps prevent spillage from normal or accidental disconnects
- It has a spring-loaded sealing device designed to "snap" closed should the valve become disconnected with the poppet open, significantly limiting liquid loss
- Two-piece adaptor design for the easy rebuilding of adaptors

- Aluminium fittings have aluminium nose pieces and brass piston

Notes

- Stainless steel corrosion resistance is equivalent to 304 stainless steel
- Contact Dixon™ for compatibility, size, and material selection
- Special configurations can be designed for your application

Materials



1½" & 2" Adaptor x Female NPT



3" Adaptor x Female NPT

Female Thread		Coupler Size		Part Numbers				Seal Material
				Aluminium		Stainless Steel		
mm	inch	mm	inch	NPT	BSP	NPT	BSP	
40	1½	50	2	DBA11-150	-	DBA71-150	DBA71-150-BSP	Nitrile Buna Rubber
50	2	65	2½	DBA11-200	-	DB711-200	-	Nitrile Buna Rubber
80	3	100	4	DBA11-300	-	DBA71-300	DBA71-300-BSP	Nitrile Buna Rubber
40	1½	50	2	DBA12-150	-	DBA72-150	-	FKM
50	2	65	2½	DBA12-200	DBA12-200-BSP	DBA72-200	-	FKM
80	3	100	4	DBA12-300	DBA12-300-BSP	DBA72-300	-	FKM
40	1½	50	2	DBA63-150	-	DBA73-150	-	PTFE Encapsulated Silicone
50	2	65	2½	DBA63-200	-	DBA73-200	DBA73-200-BSP	PTFE Encapsulated Silicone
80	3	100	4	DBA63-300	-	DBA73-300	DBA73-300-BSP	PTFE Encapsulated Silicone
40	1½	50	2	DBA64-150	-	DBA74-150	-	EPT
50	2	65	2½	DBA64-200	-	DBA74-200	-	EPT
80	3	100	4	DBA64-300	-	DBA74-300	-	EPT
40	1½	50	2	DBA66-150	-	DBA76-150	-	FFPM
50	2	65	2½	DBA66-200	-	DBA76-200	-	FFPM
80	3	100	4	DBA66-300	-	DBA76-300	-	FFPM
40	1½	50	2	DBA69-300	-	-	-	PTFE Encapsulated FKM
50	2	65	2½	-	-	DBA77-150	-	PTFE Encapsulated FKM
80	3	100	4	-	-	DBA77-200	DBA77-200	PTFE Encapsulated FKM
80	3	100	4	-	-	DBA77-300	-	PTFE Encapsulated FKM

Product Group: AS02

Vapour Adaptor x Female NPT (Stainless Steel)



Material

- Stainless steel

Female Thread		Adaptor Size		Part Number	Working Pressure (PSI)	Seal Material
mm	inch	mm	inch			
50	2	80	3	DBAV73-2030	150	PTFE

Product Group: AS02

Adaptor x 150# ASA Flange

Material

- Stainless steel

Flange Size		Adaptor Size		Part Numbers	Seal Material
mm	inch	mm	inch		
50	2	50	2	DBAF72-1520	FKM
50	2	65	2½	DBAF72-200	FKM
80	3	100	4	DBAF72-300	FKM
50	2	50	2	DBAF73-1520	PTFE Encapsulated Silicone
50	2	65	2½	DBAF73-200	PTFE Encapsulated Silicone
80	3	100	4	DBAF73-300	PTFE Encapsulated Silicone
50	2	50	2	DBAF74-1520	EPT
50	2	65	2½	DBAF74-200	EPT
80	3	100	4	DBAF74-300	EPT
50	2	50	2	DBAF76-1520	FFPM
50	2	65	2½	DBAF76-200	FFPM
80	3	100	4	DBAF76-300	FFPM

Product Group: AS02



Dust Caps for Couplers

Size		Part Numbers	
mm	inch	Aluminium	Stainless Steel
50	2	ALDC200DC	SS200DC
65	2½	ALDC250DC	SS250DC
100	4	ALDC400DC	SS400DC

Product Group: AS02



Stainless Steel

Dry Break Bayonet Style

Application

- For the spill-less transfer of petroleum products such as fuel oil, lube oil blending, and tank truck delivery.

Operating Pressure

- Maximum operating pressure 85 PSI @ 21°C

Features

- Ensures a spill-free connection, fluid cannot flow until couplings are connected and the valve is opened
- The coupling cannot be disconnected until the valve handle is closed
- Swivels have standard ZERK fittings
- Replacement parts available

90° Swivel Coupler x Female NPT

Size		Part Numbers	Seal Material	Material
mm	inch			
50	2	BS61-200	Nitrile Buna	Anodised hard coat aluminium
50	2	BS62-200	FKM	Anodised hard coat aluminium
80	3	BS61-300	Nitrile Buna	Anodised hard coat aluminium
80	3	BS62-300	FKM	Anodised hard coat aluminium

Product Group: AS05



50mm (2")



80mm (3")

Dry Disconnect Fittings



Straight Coupler x Female NPT

Female Thread		Part Numbers	Seal Material	Material
mm	inch			
50	2	BC61-200	Nitrile Buna	Anodised hard coat aluminium
50	2	BC62-200	FKM	Anodised hard coat aluminium

Product Group: AS05



Straight Swivel Coupler x Female NPT

Female Thread		Part Numbers	Seal Material	Material
mm	inch			
50	2	BSS61-200	Nitrile Buna	Anodised hard coat aluminium
50	2	BSS62-200	FKM	Anodised hard coat aluminium
80	3	BSS61-300	Nitrile Buna	Anodised hard coat aluminium
80	3	BSS62-300	FKM	Anodised hard coat aluminium

Product Group: AS05

50mm (2")



80mm (3")

Industrial Safety Breakaway Couplings

The Industrial Safety Breakaway Couplings are suitable for a wide range of industrial product transfer applications.

Specifically engineered for reliability, the Industrial Safety Breakaway Couplings are designed to activate when a tensile force is applied, even at an angle of up to 90 degrees from the coupling housing plane.

Dust Plugs

Size		Part Numbers	Material
mm	inch		
50	2	BCP-200	Rubber with stainless steel chain
80	3	BCP-300	Rubber with stainless steel chain

Product Group: AS05



Adaptor x Female NPT

Female Thread		Part Numbers			Seal Material
mm	inch	Stainless Steel	Brass	Aluminium	
50	2	BA31-200	-	-	Nitrile Buna
50	2	BA32-200	-	-	FKM
80	3	-	BA31-300	BA61-300	Nitrile Buna
80	3	-	BA32-300	BA-62-300	FKM

Product Group: AS05

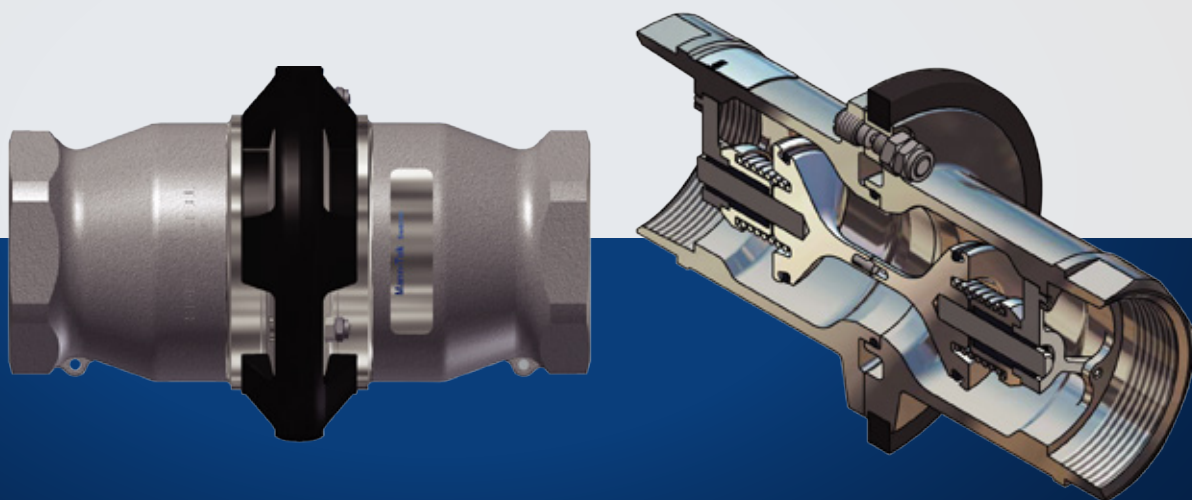


Stainless Steel

Dust Caps

Size		Part Numbers	Material
mm	inch		
50	2	BAC-200	Rubber with stainless steel chain
80	3	BAC-300	Rubber with stainless steel chain

Product Group: AS05





The Right Connection®

Dixon (Asia Pacific) Pty Ltd

170 Francis Road
Wingfield SA 5013

1300 134 651

dixonvalve.com.au

South Australia, Adelaide

(Head Office)
170 Francis Road
Wingfield SA 5013

Queensland, Brisbane

6 Union Circuit
Yatala QLD 4207

Queensland, Mackay

38 John Vella Drive
Paget QLD 4740

Victoria, Melbourne

13 Commercial Drive
Dandenong VIC 3175

Western Australia, Perth

19 Baile Road
Canning Vale WA 6155

New South Wales, Sydney

15 Watsford Road
Campbelltown NSW 2560