

BV2-Series Ball Valve

Used in data centre cooling and critical infrastructure systems where reliable isolation or flow control is required. The 3-piece design allows for seat and/or ball replacement without removing the valve from the pipeline, helping minimise downtime and simplify maintenance.

They are commonly used in chilled water systems, cooling distribution networks, mechanical services, and other mission-critical HVAC and fluid handling applications within data centres and industrial facilities.

Sizes

- 1/2", 3/4", 1", 1-1/2", 2", 2-1/2", 3", 4"

Features

- Live-loaded stem packing
- Precision stainless steel balls reduce torque and friction losses while extending seat life
- Integral ISO 5211 mounting pad
- Lockable handle can prevent accidental actuation
- Standard internal entry blow-out proof stem design
- Full port design matches ball and seat ports to tube I.D. for lower pressure drop and less turbulent flow
- Compact design for areas with tight space restrictions
- Fully encapsulated construction produces bubble tight seal
- Identification tagging available
- Balanced encapsulated construction minimizes cold flow
- V-port encapsulated

Materials

- Product contact metal components: CF8M stainless steel
- Non-product contact metal components: CF8M, 316, 304 stainless steel
- Product contact seals: virgin PTFE (standard), 15% glass reinforced PTFE, 25% carbon reinforced PTFE (not food grade), 50% stainless steel reinforced PTFE, and ultra-high molecular weight polyethylene

Specifications

- Standard connections: clamp (other options available, see part number key)
- Clamp and weld connections to ASME BPE
- Valve data
 - Maximum pressure
 - 1/2" - 2": **1000 PSI WOG**
 - 2-1/2" - 4": **800 PSI WOG**
 - Operating temperature: **-20°F to 450°F (-29°C to 232°C)**
- Surface finish
 - Product contact metal components: ≤ 32 Ra
 - Non-product contact metal components: as cast or $Ra \leq 63$
- Seat lubricant: BESSIL F-100
- Stem lubricant: G.A. BESSIL 25



BV2-Series Ball Valve - Part Number Key

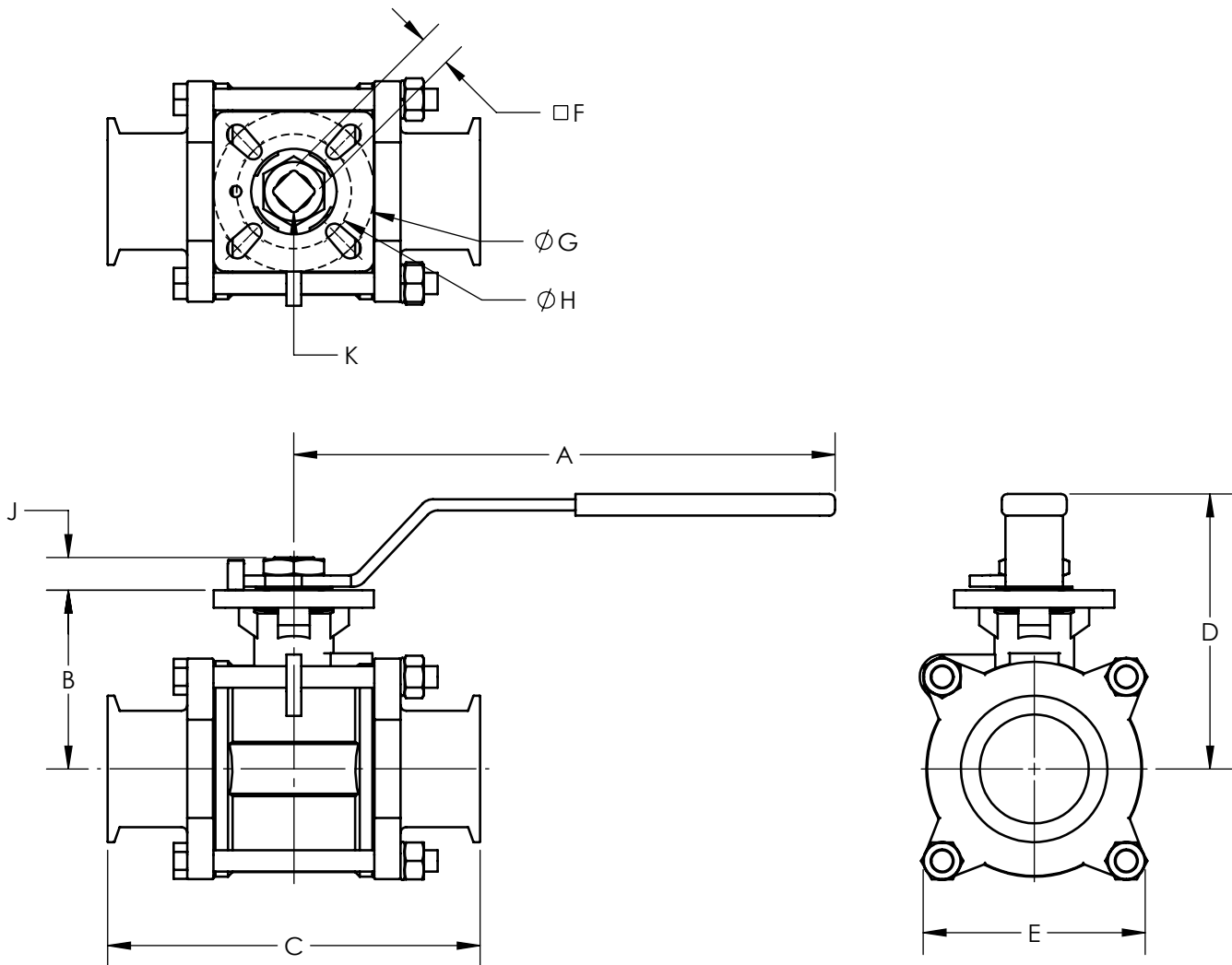
BV2-Series Sanitary Ball Valve Part Number Key Example: BV2CV-050CC-A		Series	Seat	Seat Material	Valve Size	Connection End 1	Connection End 2	Handle	Surface Finish
		BV2	C	V	- 050	C	C	- A	
Series	Code								
BV2	BV2								
Seat Type	Code								
Encapsulated	C								
Non-encapsulated	N								
Seat Material	Code								
Virgin PTFE (standard)	V								
15% glass reinforced PTFE	G								
Valve Size	Code								
1/2"	050								
3/4"	075								
1"	100								
1-1/2"	150								
2"	200								
2-1/2"	250								
3"	300								
4"	400								
Connection End 1	Code								
Clamp (standard)	C								
Weld	B								
Connection End 2	Code								
Clamp (standard)	C								
Weld	B								
Surface Finish	Code								
0.8 µm Ra (mechanical polish)	blank								

BV2-Series Ball Valve - Part Number Key (Actuated)

Sanitary 2-Way Actuated Ball Valve Part Number Key Example: 2CV50CA1XX00XX1		Series	Seat Material	Size	Connections	Surface Finish
		2C	V	50	C	A
Series	Code					
Encapsulated	2C	←				
Non-encapsulated	2N					
Seat Material	Code					
Virgin PTFE	V	←				
RTFE (15% glass reinforced PTFE)	G					
Size	Code					
1/2"	50			←		
3/4"	75					
1"	10					
1-1/2"	15					
2"	20					
2-1/2"	25					
3"	30					
4"	40					
Connections	Code					
Clamp	C				←	
Weld	B					
Clamp x weld	D					
Surface Finish	Code					
0.8 µm Ra	A					←

BV2-Series Ball Valve - Dimensions

1/2" to 2"

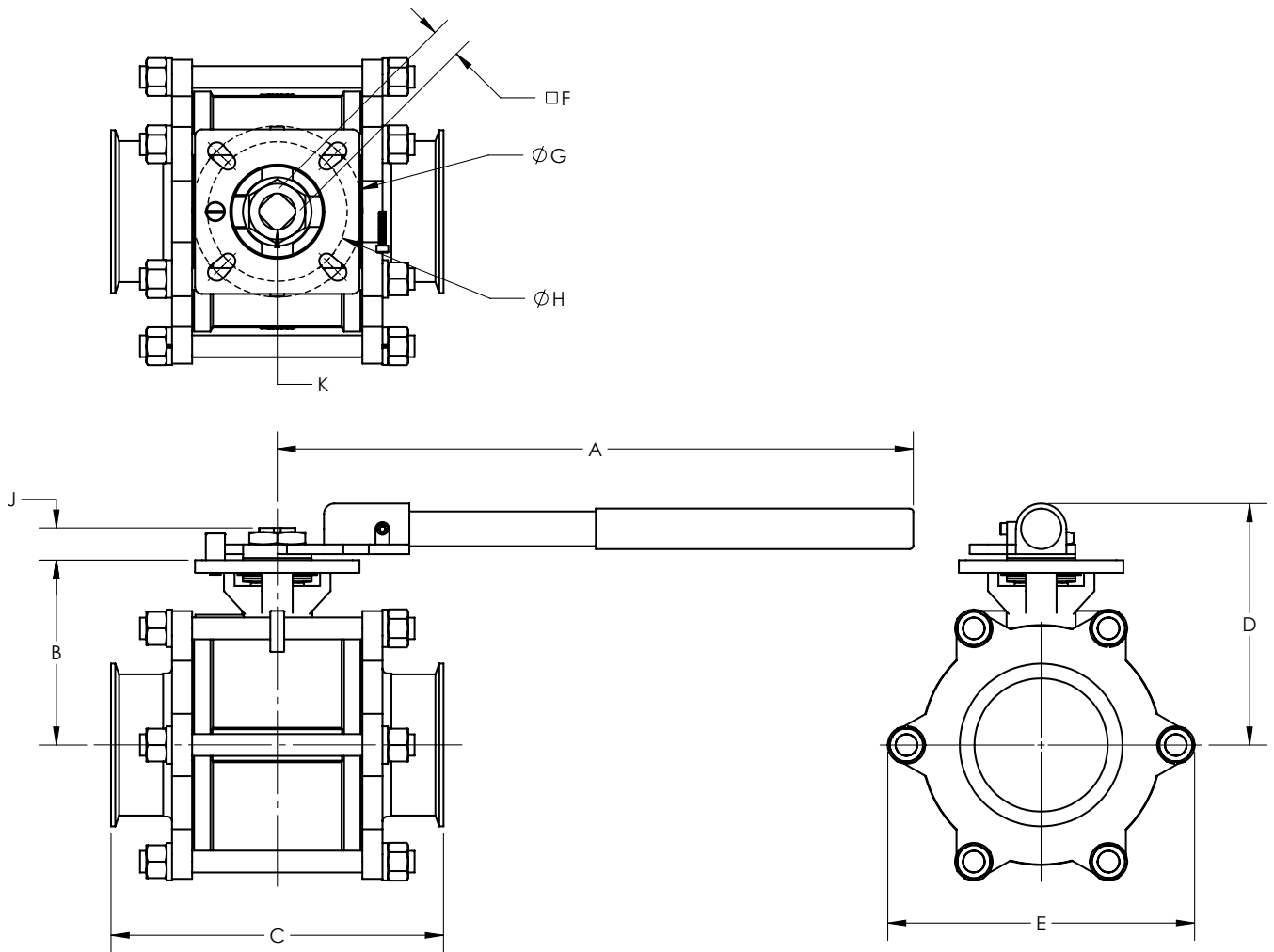


Size	A (in)	B (in)	C (in) ¹	D (in)	E (in)	F (mm)	G (ISO 5211)	H (ISO 5211)	J (mm)	K (threads)
1/2"	4.9	1.5	4.3	3.1	2.0	9	F04	F03	9	M12 x 1.75
3/4"	4.9	1.8	4.7	3.4	2.2	9	F04	F03	11	M12 x 1.75
1"	5.5	2.1	4.9	3.6	2.4	11	F05	F04	11	M14 x 2
1-1/2"	9.3	2.7	5.6	4.4	3.1	14	F07	F05	14	M18 x 2.5
2"	9.5	3.1	6.4	4.7	3.7	14	F07	F05	14	M18 x 2.5

¹Clamp and weld dimensions are the same.

BV2-Series Ball Valve - Dimensions

2-1/2" to 4"



Size	A (in)	B (in)	C (in) ¹	D (in)	E (in)	F (mm)	G (ISO 5211)	H (ISO 5211)	J (mm)	K (threads)
2-1/2"	18.0	3.8	7.8	5.2	4.9	17	F10	F07	17	M22 x 2.5
3"	18.0	4.2	9.0	5.7	5.4	17	F12	F10	17	M22 x 2.5
4"	18.0	5.3	9.6	6.9	8.8	22	F12	F10	24	1-1/8" x 12 UNF

¹Clamp and weld dimensions are the same.

Limited Warranty

DIXON VALVE & COUPLING COMPANY, LLC (herein called "Dixon") warrants the products described herein and manufactured by Dixon to be free from defects in material and workmanship for a period of one (1) year from date of shipment by Dixon under normal use and service. Its sole obligation under this warranty being limited to repairing or replacing, as hereinafter provided, at its option any product found to Dixon's satisfaction to be defective upon examination by it, provided that such product shall be returned for inspection to Dixon's factory within three (3) months after discovery of the defect. The repair or replacement of defective products will be made without charge for parts or labor. This warranty shall not apply to: (a) parts or products not manufactured by Dixon, the warranty of such items being limited to the actual warranty extended to Dixon by its supplier; (b) any product that has been subject to abuse, negligence, accident, or misapplication; (c) any product altered or repaired by others than Dixon; and (d) normal maintenance services and the replacement of service items (such as washers, gaskets, and lubricants) made in connection with such services. To the extent permitted by law, this limited warranty shall extend only to the buyer and any other person reasonably expected to use or consume the goods who is injured in person by any breach of the warranty. No action may be brought against Dixon for an alleged breach of warranty unless such action is instituted within one (1) year from the date the cause of action accrues. This limited warranty shall be construed and enforced to the fullest extent allowable by applicable law.

Other than the obligation of Dixon set forth herein, Dixon disclaims all warranties, express or implied, including but not limited to any implied warranties of merchantability or fitness for a particular purpose, and any other obligation or liability. The foregoing constitutes Dixon's sole obligation with respect to damages, whether direct, incidental, or consequential, resulting from the use or performance of the product.

Some products and sizes may be discontinued when stock is depleted or may require a minimum quantity for ordering.

Limits of Liability

This brochure is intended as a product offering. It is not intended to be a user or technical manual. Information in this brochure is subject to change without notice. All users and distributors of products sold through this brochure should contact Dixon with questions of use, compatibilities, coupling procedures, and life of product. Our full-time engineering and test staff are always available to recommend uses and to assist distributors and users with any questions.



Safety



Safety logos, which appear throughout our catalog, are used as a reminder that the user should carefully review for the appropriateness of the product for the media, application, and environment in which it will be used.

NOTE: Because of the health hazards associated with contamination and lead content in drinking water systems, Dixon couplings, unless otherwise specifically approved, are not recommended for potable water service and should not be used in applications where drinking water will contact the wetted surfaces of the coupling.

All Dixon products are shipped in cartons with the following warning:

"WARNING: This product contains lead, a chemical known to the State of California to cause cancer and birth defects or other reproductive harm."

Trademark

Delrin® and Zytel® are registered trademarks of E. I. du Pont de Nemours and Company.

Kalrez® is a registered trademark of DuPont Dow Elastomers.

All other trademarks appearing in the Dixon illustrated product list are the property of their respective owners.

Copyright

Copyright © 2025 by Dixon Valve & Coupling Company, LLC

All rights reserved. This book is copyrighted material. Use, reproduction or copying of it by anyone other than Dixon® is strictly forbidden without its express written consent.

NOTE: Reasonable care has been taken in preparing this catalog. Dixon Valve & Coupling Company, LLC reserves the right to make corrections.

