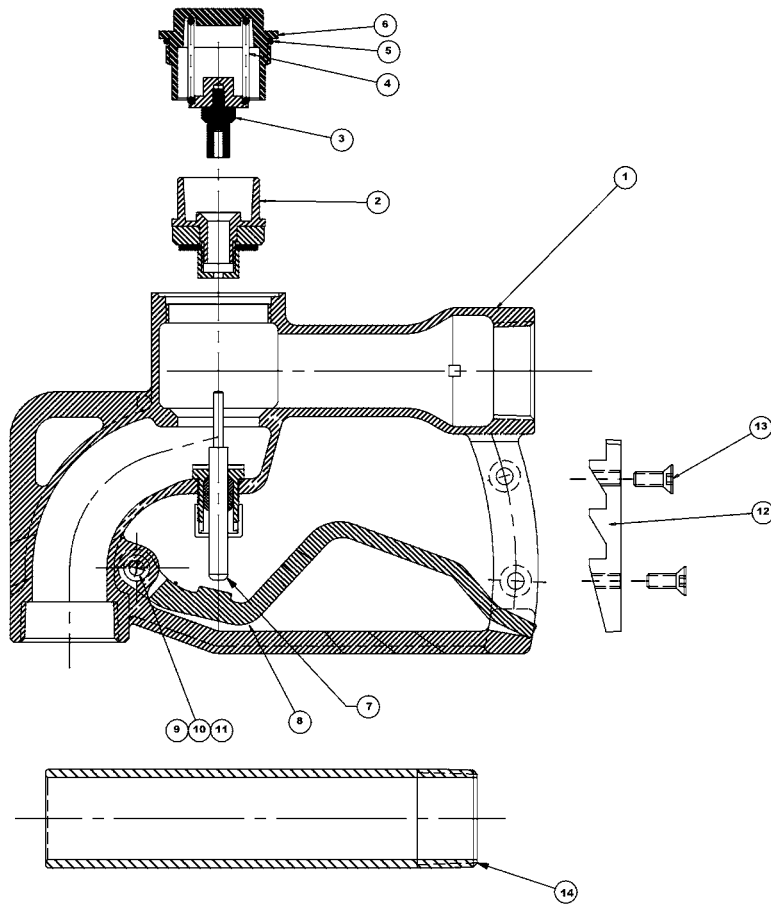


Technical Information

Component List 114D & 114DBST Nozzles



Item No.	Description	Part No.	Quantity
1	Body		1
2	Main Poppet Assembly	use kit 114DSK	1
3	Secondary Poppet Assembly	use kit 114DSK	1
4	Poppet Spring	SPRG-L368	1
5	Buna Cap O-Ring	O-RING-AS-129	1
6	Bronze Cap	114DAL-2	1
7	Valve Stem Assembly	use kit 114DSK	1
8	Trigger	use kit 114/2D-TK	1
9	Trigger Bushing	114DAL-10	1
10	Trigger Pin	PIN-L389-SS	1
11	Trigger Cotter Pin	110746	1
12	Ratchet Plate	340164	1
13	Ratchet Plate Screws	110798	2
14	Aluminium Spout	1143A	1
15	Sleeve Stem Packing	SKLVL358-1	1
16	Valve Stem Guide and O-Ring	use kit 114DSK	1
17	Valve Stem O-Ring	O-RING-AS016	1
18	Valve Stem Packing	STEMPACK-L360	2

Dixon

1300 134 651

customerservice@dixonvalve.com.au

dixonvalve.com.au