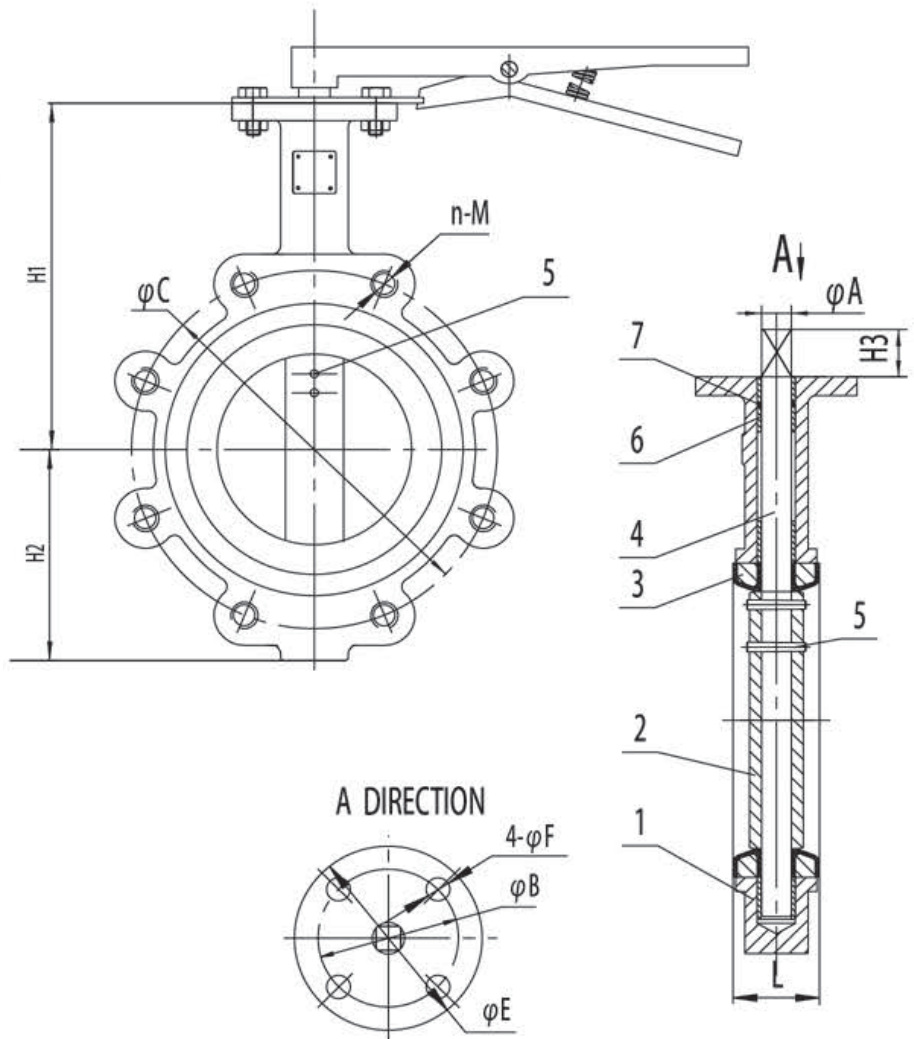
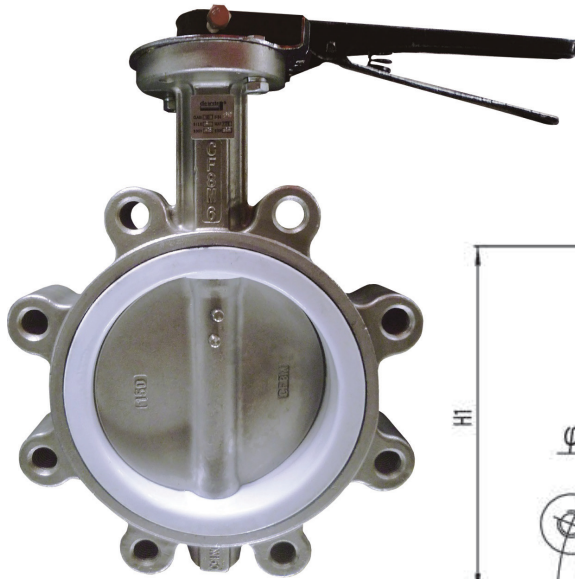


Lugged Butterfly Valve PN10 - Table E

Technical Information



Number	Part	Material
1	Body	CF8M
2	Disc	CF8M
3	Seat	PTFE
4	Stem	SS316
5	Taper Pin	SS316
6	Bushing	PTFE
7	O-ring	EPDM

Size (inch)	H3	L	øA	øE	øB	øF	AS2129 Table E		H1	H2
							øC	n-M		
2	30	45	12.7	65	50	7	114	4-M16	140	65
2-1/2	30	48	12.7	65	50	7	127	4-M16	152	89
3	30	49	12.7	65	50	7	146	4-M16	172	95
4	30	55	15.8	92	70	9	178	8-M16	178	107
5	30	58	19.05	92	70	9	210	8-M16	196	116
6	30	59	19.05	92	70	9	235	8-M20	207	135
8	30	64	22.2	125	102	11	292	8-M20	253	176

Dixon

1300 134 651

customerservice@dixonvalve.com.au

dixonvalve.com.au