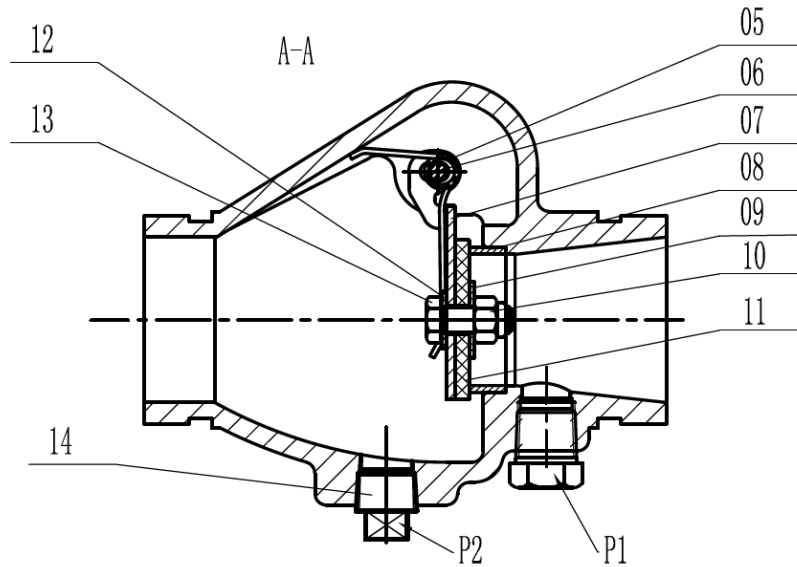


Grooved Swing Check Valve

Technical Information



Valve Material List

Number	Part	Material	Standard (ASTM)
1	Valve Body	Ductile Iron	A536 65-45-12
2	Bolt	Steel 1045	A29
3	Plug	Steel 1045	A29
4	Plug	Steel 1045	A29
5	Spring	Stainless Steel 304	A276
6	Hinge Pin	Stainless Steel 304/ Ductile Iron	A276/A536 65-45-12
7	Clapper	Stainless Steel 304	A276
8	Seat	C95400	A148
9	Clamping Ring	Stainless Steel 304	A276
10	Locknut	Stainless Steel 304	A276
11	Facing Seal	EPDM	D2000
12	Gasket	EPDM	D2000
13	Bolt	Stainless Steel 304	A276
14	Plug		A29

Dixon

1300 134 651

customerservice@dixonvalve.com.au

dixonvalve.com.au