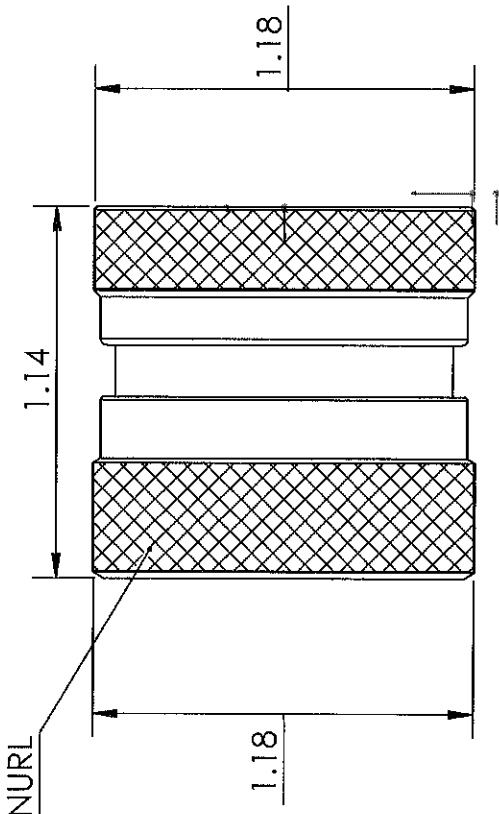
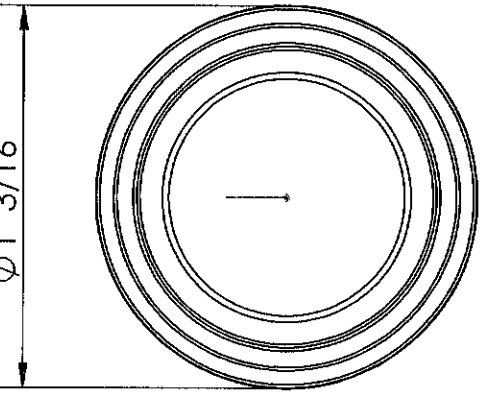
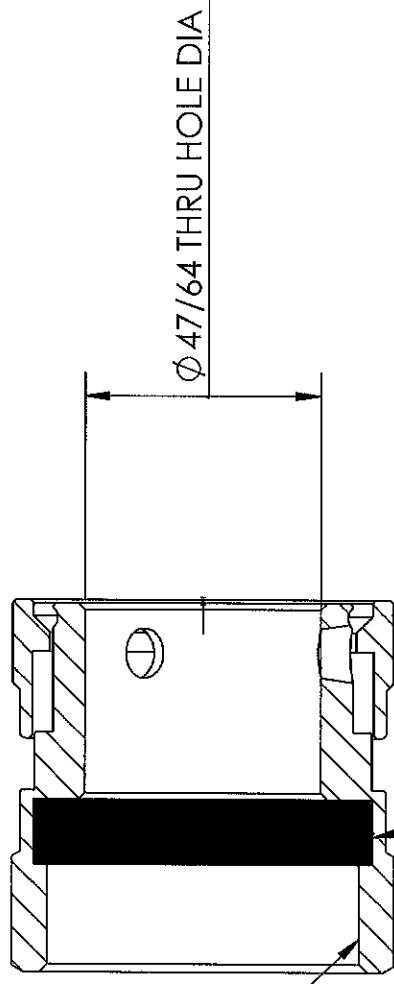


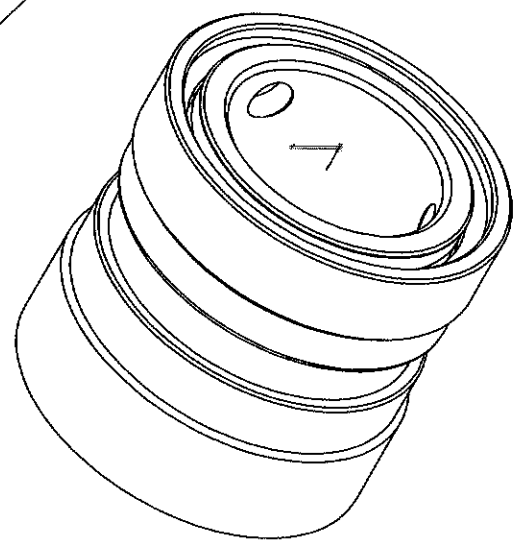
LINE DRAWING NOT FOR PRODUCTION PURPOSES



DIAMOND KNURL



3/4 1 1/2 NH  
GARDEN HOSE THREAD



**MATERIAL 1" 3/16 ALLOY 360 BRASS**

This drawing is owned by Dixon Valves, Coupling Co. and shall be returned upon demand. It is loaned on condition that it shall not be copied or reproduced or submitted to others without the owners consent. In accepting it, subject to this condition, the recipient further agrees that this drawing or any design detail or concept disclosed herein shall not be used in any way detrimental to or in competition with the owner. If the recipient does not agree to the terms of this agreement they shall return this drawing immediately. The information contained in this drawing is subject to change without notice.

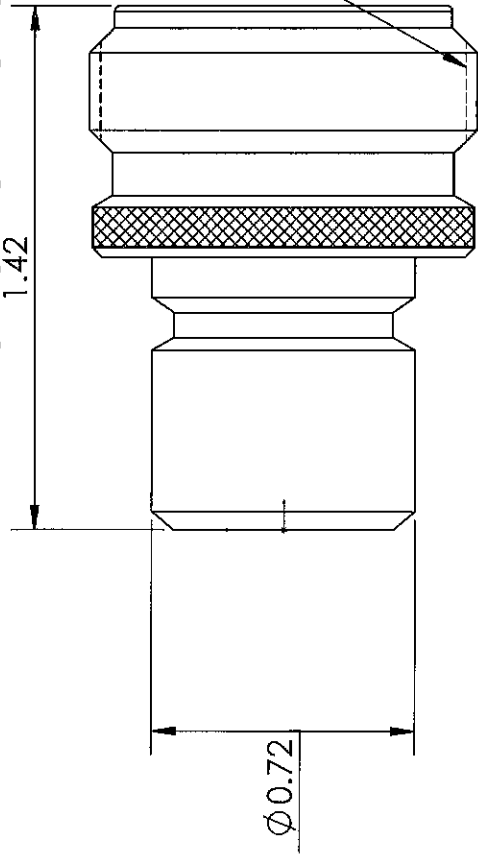


**Dixon Brass**  
Westmont, Illinois USA

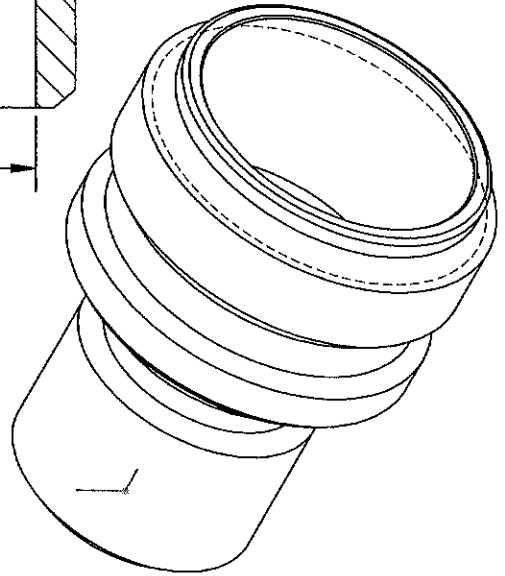
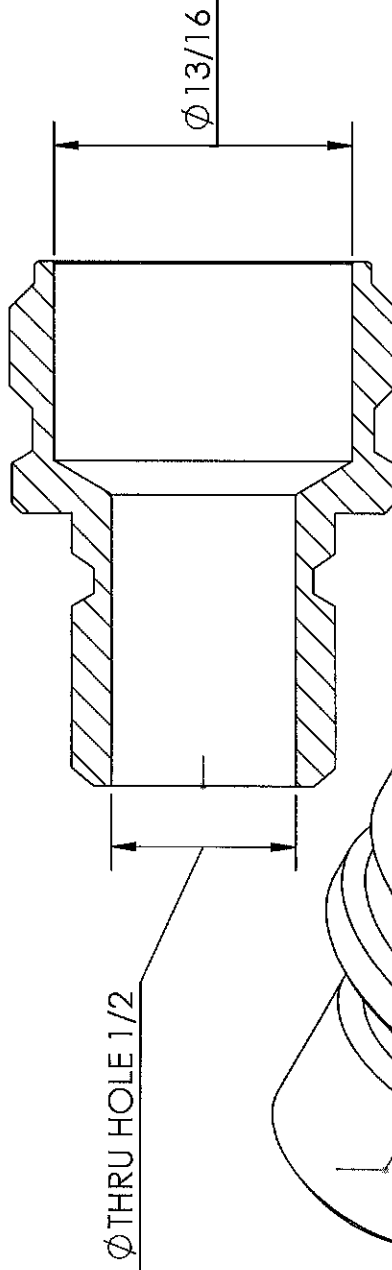
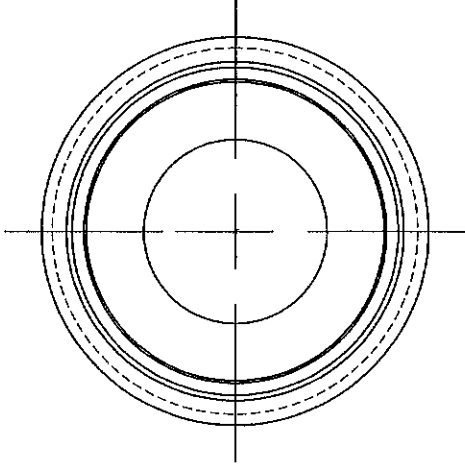
DRAWN	DATE
P. MONAGHAN	6/22/17
APPROVED	DATE
ECO NO.	

TITLE:		DO NOT SCALE THIS DRAWING	
BODY		SIZE	REV
		A	A
		DWG. NO.	
		500QCF	

LINE DRAWING NOT FOR PRODUCTION PURPOSES



3/4 - 11 1/2 NH  
GARDEN HOSE  
THREAD



MATERIAL 1" 1/16 RD ALLOY 360 BRASS

This drawing is owned by Dixon Valve & Coupling Co. and shall be returned upon demand. It is loaned on condition that it shall not be copied or reproduced or submitted to others without the owners consent. In accepting it, subject to this condition, the recipient further agrees that this drawing or any design detail or concept disclosed herein shall not be used in any way detrimental to or in competition with the owner. If the recipient does not agree to the terms of this agreement they shall return this drawing immediately. The information contained in this drawing is subject to change without notice.



**Dixon Brass**  
Westmont, Illinois USA

DRAWN P. MONAGHAN 6/22/17  
APPROVED DATE  
ECO NO.

TITLE:

MALE PLUG  
EXTENDED THREAD

DO NOT SCALE THIS DRAWING  
SIZE DWG. NO. A 500QCM  
REV A