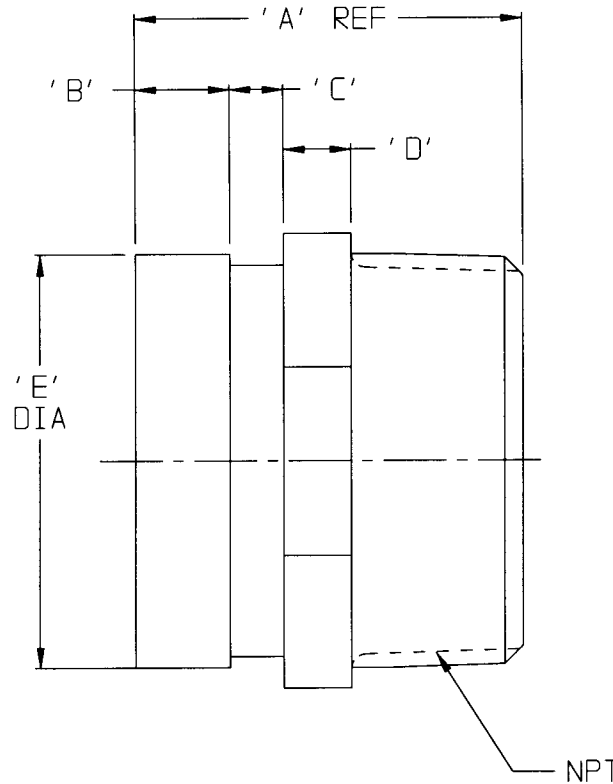
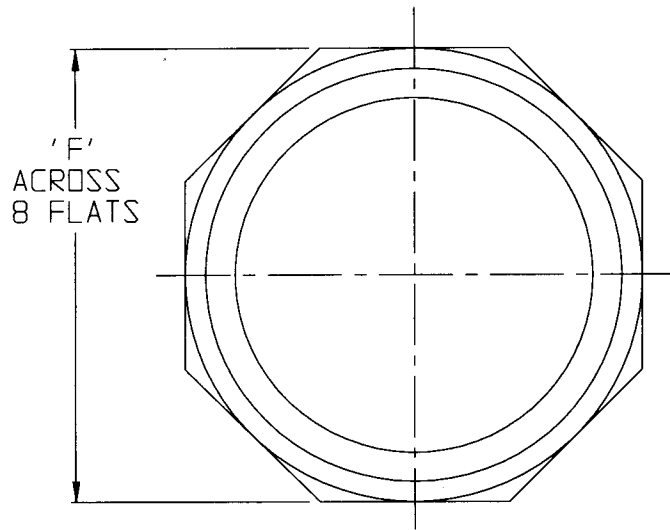


**A71XS
A71XXS**

CUSTOMER DWG

PART NO.	SIZE	'A'	'B'	'C'	'D'	'E'	'F'	NPT
A712S	2"	2 3/8	5/8	5/16	13/32	2 3/8	2 1/2	2" - 11 1/2
A712SS	2 1/2"	2 5/8	5/8	5/16		2 7/8		2 1/2" - 8
A713S	3"	2 7/8	5/8	5/16		3 1/2		3" - 8
A714S	4"	3 7/32	5/8	3/8	5/8	4 1/2	4 3/4	4" - 8



CUSTOMER DWG

AGREEMENT TO MAINTAIN CONFIDENTIALITY

This drawing is owned by Dixon Valve & Coupling Co. and shall be returned upon demand. It is loaned on condition that it shall not be copied or reproduced or submitted to others without the owners consent. In accepting it subject to this condition the recipient further agrees that this drawing or any design detail or concept disclosed herein shall not be used in any way detrimental to or in competition with the Owner. If the recipient does not agree to the terms of this agreement, they shall return this drawing immediately.



**DIXON VALVE & COUPLING CO.
U. S. A.**

TITLE
SHORT STYLE ADAPTER HEX NIPPLES
GROOVED END x MALE THREAD

DRAWN BY: ARP 11/21/08	CHECKED BY: <i>Sydney</i> 11/21/80	APPROVAL: <i>D.E.</i> 11-21-08
------------------------------	--	--------------------------------------

MAT'L CARBON STEEL PIPE	A71XS A71XXS
----------------------------	-----------------