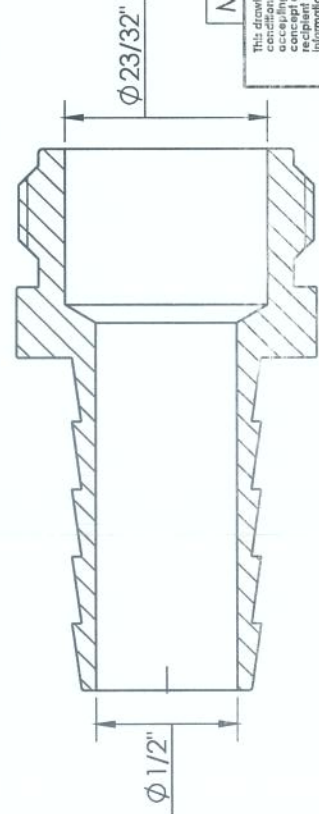
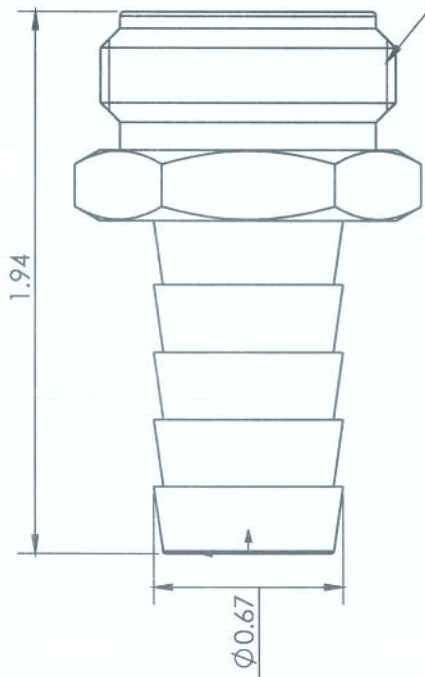
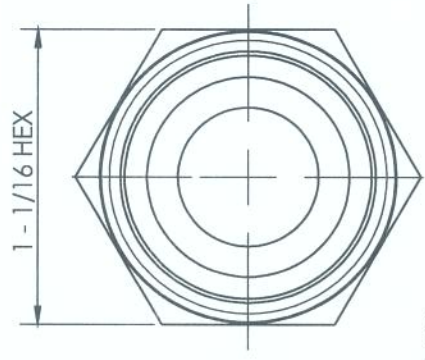


LINE DRAWING NOT FOR PRODUCTION PURPOSES



MATERIAL 1 - 1/16 HEX ALLOY 360 BRASS

This drawing is owned by Dixon Valve & Coupling Co. and shall be returned upon demand. It is loaned on condition that it shall not be copied, reproduced or submitted to others without the owner's consent. In accepting it, subject to this condition, the recipient further agrees that this drawing or any design detail or concept disclosed herein shall not be used in any way detrimental to or in competition with the owner. If the recipient does not agree to these conditions, the recipient shall immediately return this drawing to the owner. If the information contained in this drawing is subject to change without notice.

	Dixon Brass Westmont, Illinois USA	DATE 12/13/17
DRWNR H. BARRERA		APPROVED
		DATE
		ECO NO.
TITLE: 5/8 BARB GARDEN HOSE MALE		
DO NOT SCALE THIS DRAWING		
SIZE	DWG. NO.	REV
A	5901012C	A