

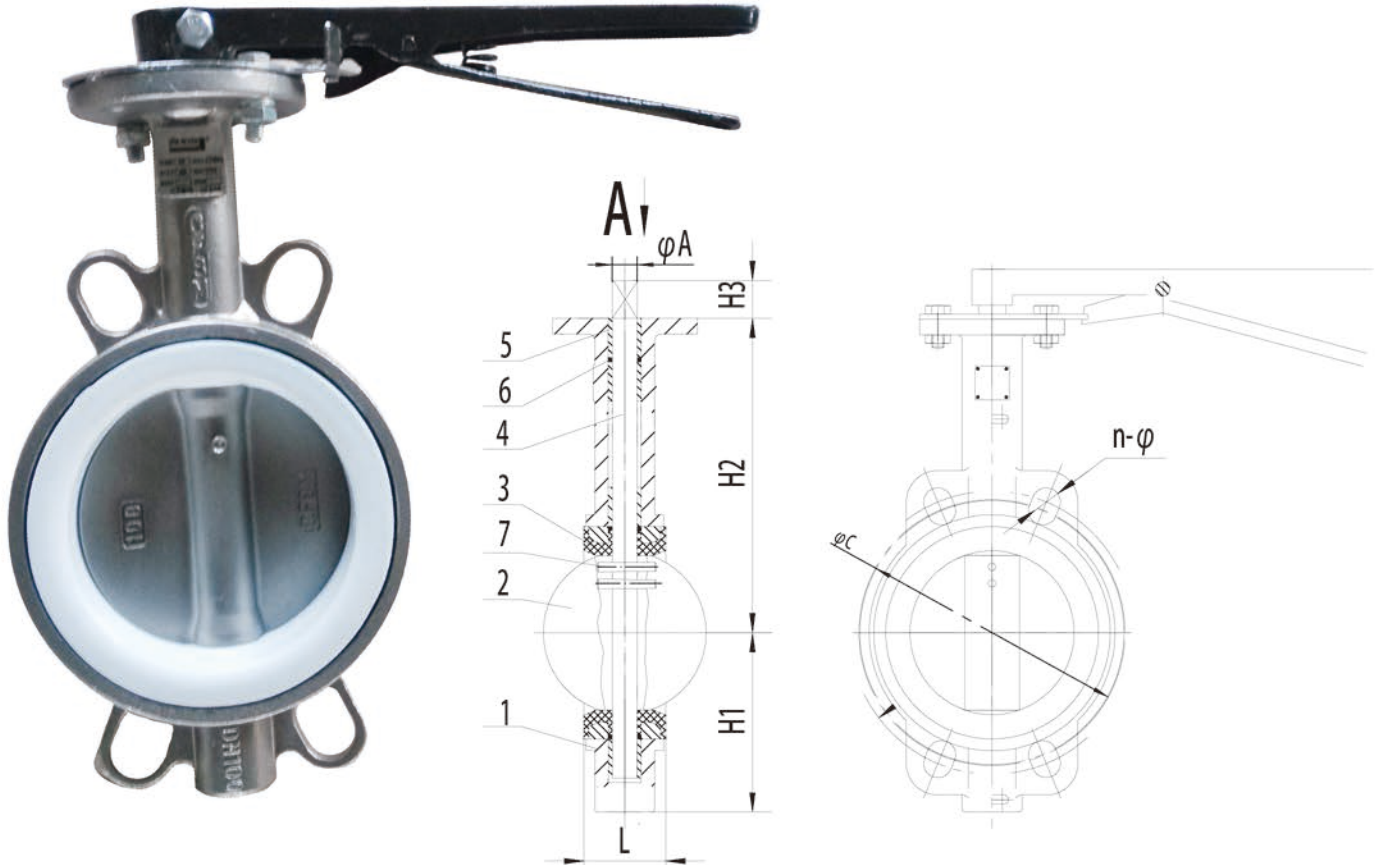


The Right Connection™

## STAINLESS STEEL BUTTERFLY VALVES ISO MOUNT

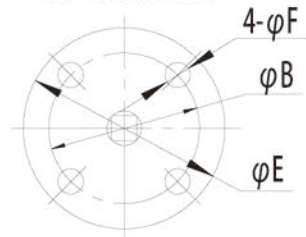
SS316 WAFER BUTTERFLY VALVE PN10 RATED, TABLE D/E

FIG SPWBFV



NO.	PARTS NAME	MATERIAL
1	BODY	CF8M
2	DISC	CF8M
3	SEAT	PTFE
4	STEM	SS316
5	BUSHING	P. T. F. E.
6	O-RING	EPDM
7	PIN	SS316

A DIRECTION



SIZE	H1	H2	H3	L	φA	φE	φB	φF	φC	n-φ
2"	70	130	30	45	12.7	65	50	7	114	4-φ18
2.5"	74	136	30	48	12.7	65	50	7	127	4-φ18
3"	94	145	30	49	12.7	65	50	7	146	4-φ18
4"	104	162	30	55	15.8	90	70	9	178	8-φ18
5"	118	188	30	58	19.05	90	70	9	210	8-φ22
6"	210	210	30	59	19.05	90	70	9	235	8-φ22
8"	237	237	36	64	22.2	125	102	11	292	8-φ22