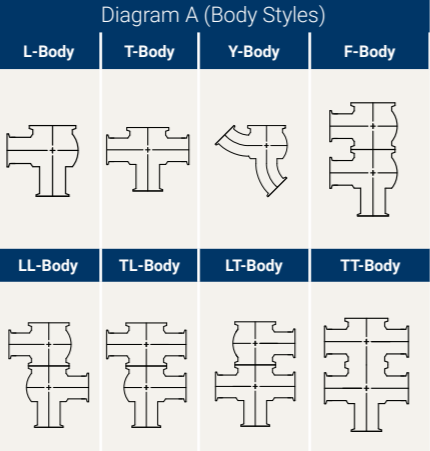


Dixon® SSV Series Single Seat Valve

Part Number Key

Dixon SSV-Series Single Seat Valve Part Number Key		Valve Function	Valve Body	Actuator Function	Stem Type	Wetted Elastomers	Options	Table 1 (Codes)					Port Diagram	
		S	01 A 10 C	1	E	V	A	A-Port	B-Port	C-Port	D-Port	E-Port	Port Diagram	
Valve Function	Code							C	C	C	C	C	C	
Shut-Off	S							B	B	B	B	B	B	
Divert	D							F	F	F	F	F	F	
Valve Body Style (See Diagram A)	Code							M	M	M	M	M	M	
L (2-port Shut-Off)	01							T	T	T	T	T	T	
T (3-port Shut-Off)	02							P	P	P	P	P	P	
Y (2-port Shut-Off)	03							Q	Q	Q	Q	Q	Q	
F (3-port Divert)	04							N (No Port)	N (No Port)	N (No Port)	N (No Port)	N (No Port)	N (No Port)	
L/L (3-port Divert)	05													
T/L (4-port Divert)	06													
L/T (4-port Divert)	07													
T/T (5-port Divert)	08													
Surface Finish	Code													
32 R, (ID Mech. Polish)	A													
25 R, (ID Mech. Polish)	B													
20 R, (ID Mech. Polish)	C													
15 R, (ID Electropolish)	D													
Valve Size	Code													
1.0"	10													
1.5"	15													
2.0"	20													
2.5"	25													
3.0"	30													
4.0"	40													
Connections	Code													
Triclamp	C													
Buttweld	B													
Female I-Line	F													
Male I-Line	M													
Threaded Bevel	T													
Plain Bevel	P													
Q-Line	Q													
Combination (See Table 1)	-													
Actuator Type	Code													
Spring Return (Air-to-Raise)	1													
Spring Return (Air-to-Lower)	2													
Double Acting (Air-to-Air)	3													
Manual Handle	4													
Stem Type	Code													
Elastomer O-Ring Stem Seal	E													
PTFE Plug Seal	P													
Wetted Elastomers	Code													
EPDM	E													
FKM	V													
Options	Code													
10-30VDC External Prox, PNP, (Qty 2)	A													
10-30 VDC External Prox, NPN, (Qty 2)	B													
20-253 VAC External Prox, (Qty 2)	C													
110VAC External Prox, (Qty 2)	D													
Burkert 8691, Single Acting, DeviceNet, Multipin	E													
Burkert 8691, Single Acting, AS-I, Multipin	F													
Burkert 8691, Single Acting, 24VDC, Multipin	G													
Burkert 8691, Double Acting, DeviceNet, Multipin	H													
Burkert 8691, Double Acting, AS-I, Multipin	J													
Burkert 8691, Double Acting, 24VDC, Multipin	K													
Burkert 8691, Without Solenoid, 24VDC, Multipin	L													
Burkert 8681, Single Acting, 110VAC, Multipin	M													
Burkert 8681, Double Acting, 110VAC, Multipin	N													
Burkert 8692 Positioner, 24VDC, 4-20mA, Multipin	P													
External Prox Bracket Only	Q													



Part Number Example: D06B20NBCC2PVG.
Part Description: Divert Valve, T/L Body, 25Ra Polish, 2", [No Port on A, Buttweld on Port B, Clamp Port C, Clamp on Port D, Clamp on Port E] Spring Return Air-to-Lower Actuator, PTFE Stem Seal, FKM wetted Elastomers, Burkert 8691 Single Acting 24VDC Multipin.



The Right Connection®

Dixon (Asia Pacific) Pty Ltd

170 Francis Road
Wingfield SA 5013

1300 134 651

dixonvalve.com.au

Dixon®, founded in 1916, is a premier manufacturer and supplier of hose couplings, valves, dry-disconnects, swivels, and other fluid transfer and control products. The company's global reach includes a wide range of products for numerous industries including petroleum exploration, refining, transportation, chemical processing, food & beverage, steel, fire protection, construction, mining and manufacturing. Dixon®'s strategic objective is to create solutions that make products safer, leak-free, longer lasting, and always available.

Excellence • Uncommon Excellence • Uncommon Excellence • Uncommon Excellence • Uncommon Excellence •

SSV Series Single Seat Valve

1300 134 651 | dixonvalve.com.au



SSV Series Single Seat Valve

Simple Design • Solid Construction • Superior Cleanability

Dixon® SSV Series Single Seat Valve



Reduced

Life Cycle

Costs

ACTUATOR CONFIGURATION

Reversible spring return actuator allows the valve configuration to be easily changed from air-to-rise to air-to-lower: simply invert the actuator. No internal disassembly is required.

LOWER MAINTENANCE COST

Minimal number of components reduces costs. Part modularity increases customer flexibility in spare parts inventory.

NO SPECIAL TOOLS

Assemble or disassemble valve quickly with simple hand tools. Less downtime for seal maintenance.

Application:

- used in sanitary processes for either isolation or diversion of product

Materials:

- all product contact steel components: 316L stainless steel
- all non-product contact steel components: 304 stainless steel
- products wetted seal elastomers: FKM or EPDM
- stem seal materials: FKM, EPDM or PTFE

Specifications:

- maximum holding pressure: dependent upon size and configuration of the valve
- maximum operating temperature: 266°F (130°C)
- surface ID finish: Ra 32
- maximum sterilization temperature (20 min/max): 275°F (135°C)
- elastomers are FDA & 3A compliant
- sizes: 1" to 4"

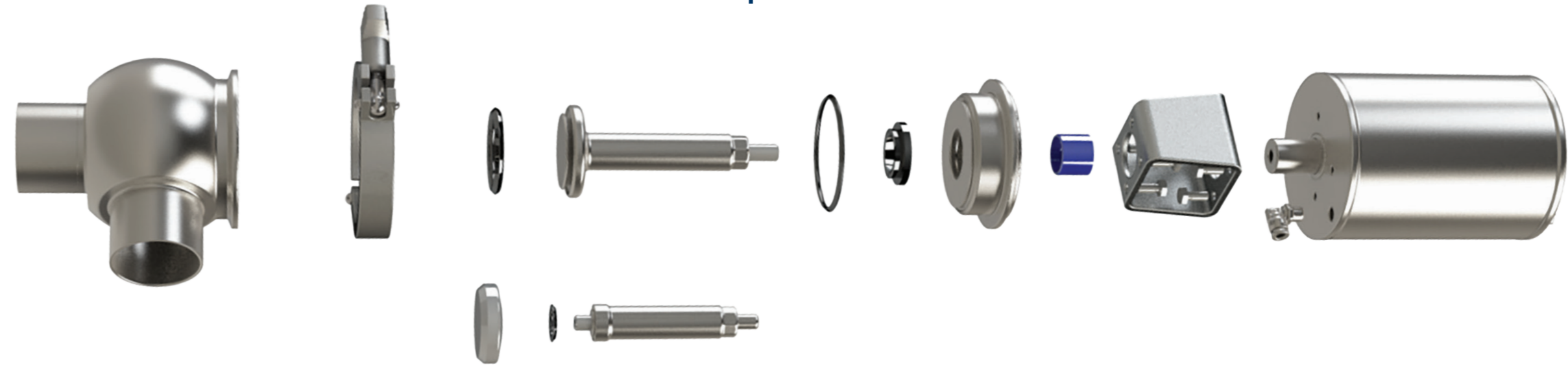
Options:

- clamp and weld connections standard, other types available upon request
- numerous control tops available
- custom port lengths for drop-in replacements of competitor's valves available upon request
- optional 15R_a, 20R_a, or 25R_a finishes available

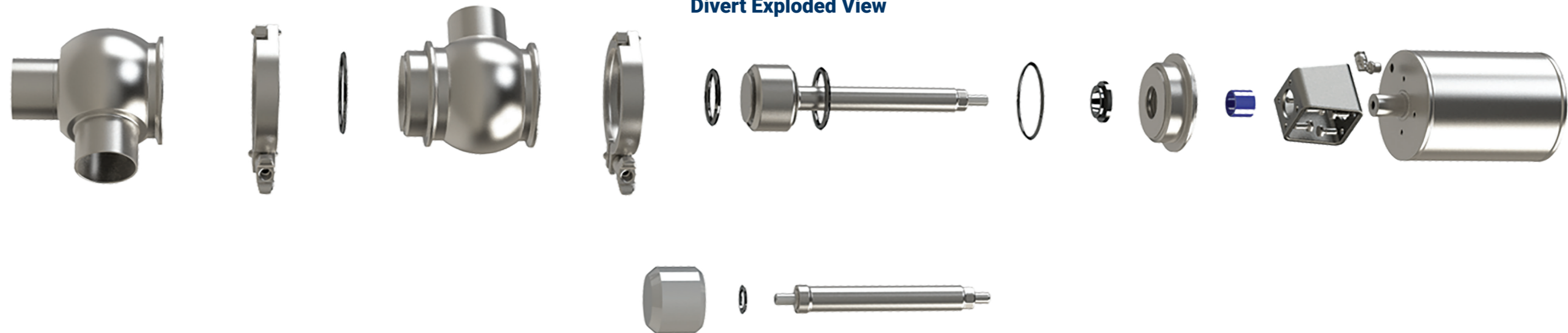
Approval:

- 3A – Authorization Number 1655, 53-06 (Compression-Type Valves)

Shut-Off Exploded View



Divert Exploded View



Valve Bodies

Made from solid bar with increased wall thickness for added durability and increased performance against distortion caused by large temperature fluctuations in the process.

Stem Alignment

Actuator stem and valve stem are threaded together to ensure the most rigid union and therefore provide proper stem seal alignment with the valve body.

Stem Seals

Defined compression O-rings and metal to metal contact between valve stem and body increases service life of stem seals.

Actuator Bushings

The bushings on both ends of the actuator provide stem support and ensures perfect alignment and repeatable positive sealing between the stem seal and valve body.

Actuators

Three actuator sizes for all valves (1" to 4") provide added flexibility and interchangeability for your processing requirements.

