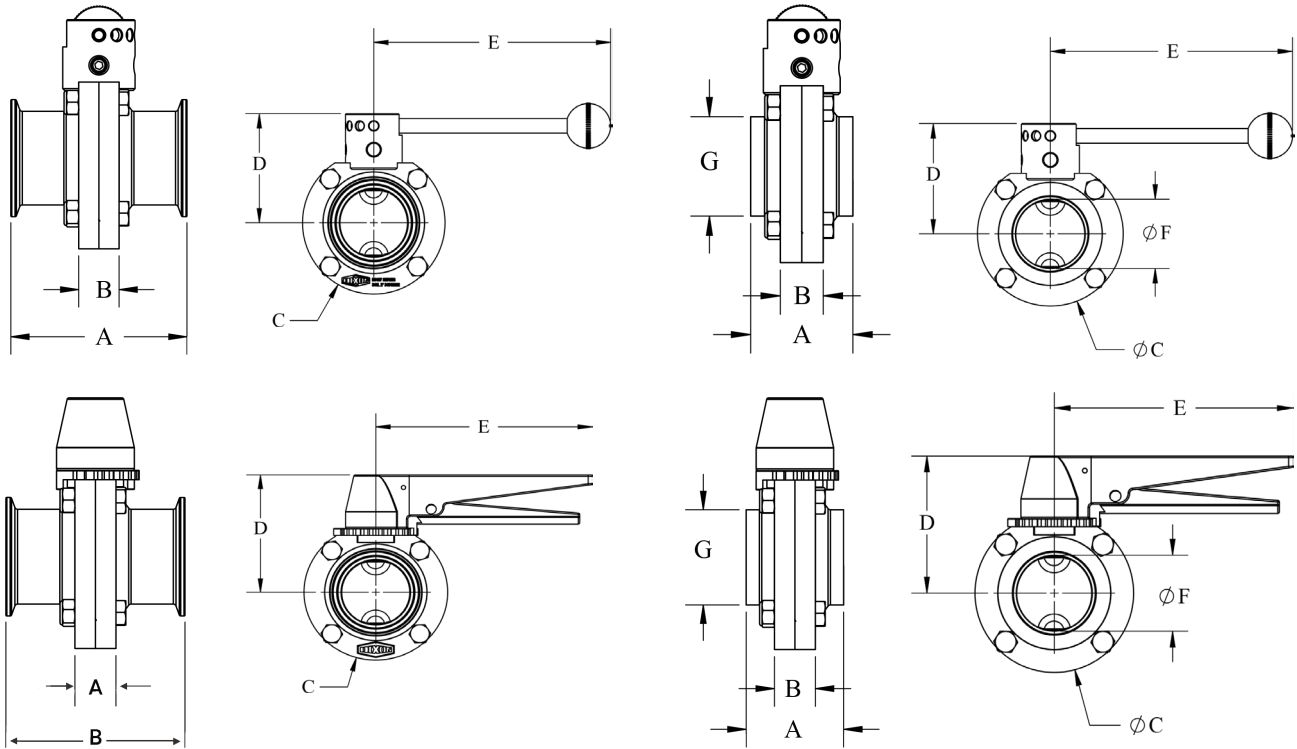


Dixon B5107 Butterfly Valves

Technical Information



The Right Connection®



Pull Handle CLAMP END Dimensions

Size (Inch)	Part Number	A (mm)	B (mm)	C (mm)	D (mm)	E (mm)
1"	B5107E100CC-A	88.9	22.86	78.74	66.04	116.84
1 1/2"	B5107E150CC-A	88.9	22.86	78.74	66.04	116.84
2"	B5107E200CC-A	96.52	22.86	99.06	76.2	116.84
2 1/2"	B5107E250CC-A	96.52	22.86	116.84	86.36	116.84
3"	B5107E300CC-A	104.14	30.48	132.08	88.9	165.1
4"	B5107E400CC-A	121.92	30.48	170.18	109.22	165.1

Pull Handle WELD END Dimensions

Size (Inch)	Part Number	A (mm)	B (mm)	ØC (mm)	D (mm)	E (mm)	ØF (mm)	G (mm)
1"	B5107E100BB-A	50.8	22.86	78.74	66.04	116.84	22.098	25.4
1 1/2"	B5107E150BB-A	50.8	22.86	78.74	66.04	116.84	34.798	38.1
2"	B5107E200BB-A	50.8	22.86	99.06	76.2	116.84	47.498	50.8
2 1/2"	B5107E250BB-A	53.34	22.86	116.84	86.36	116.84	60.198	63.5
3"	B5107E300BB-A	63.5	30.48	132.08	88.9	165.1	72.898	76.2
4"	B5107E400BB-A	78.74	30.48	170.18	109.22	165.1	97.282	101.6

Trigger Handle CLAMP END Dimensions

Size (Inch)	Part Number	A (mm)	B (mm)	C (mm)	D (mm)	E (mm)
1"	B5107E100CC-C	88.9	22.86	78.74	66.04	149.86
1 1/2"	B5107E150CC-C	88.9	22.86	78.74	66.04	149.86
2"	B5107E200CC-C	96.52	22.86	99.06	76.2	149.86
2 1/2"	B5107E250CC-C	96.52	22.86	116.84	86.36	149.86
3"	B5107E300CC-C	104.14	30.48	132.08	88.9	149.86
4"	B5107E400CC-C	121.92	30.48	170.18	109.22	149.86

Trigger Handle WELD END Dimensions

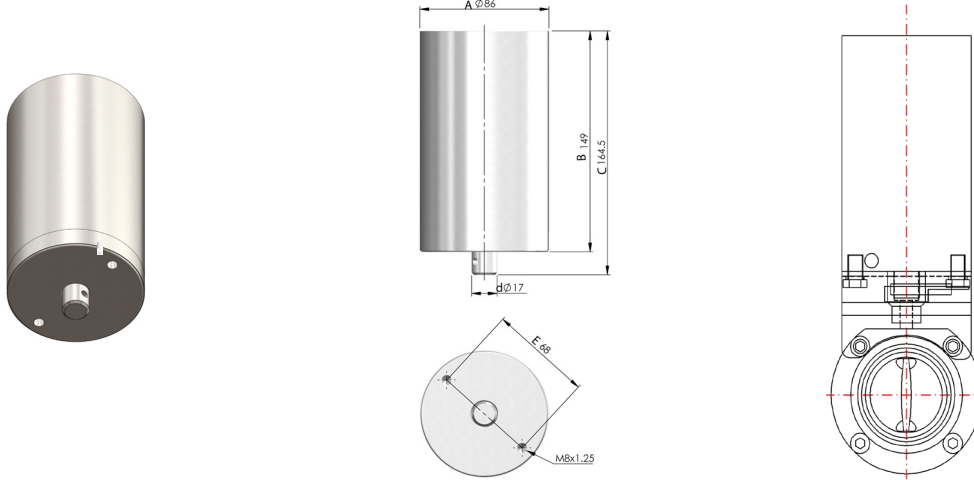
Size (Inch)	Part Number	A (mm)	B (mm)	ØC (mm)	D (mm)	E (mm)	ØF (mm)	G (mm)
1"	B5107E100BB-C	88.9	22.86	78.74	66.04	149.86	22.098	25.4
1 1/2"	B5107E150BB-C	88.9	22.86	78.74	66.04	149.86	34.798	38.1
2"	B5107E200BB-C	96.52	22.86	99.06	76.2	149.86	47.498	50.8
2 1/2"	B5107E250BB-C	96.52	22.86	116.84	86.36	149.86	60.198	63.5
3"	B5107E300BB-C	104.04	30.48	132.08	88.9	149.86	72.898	76.2
4"	B5107E400BB-C	121.92	30.48	170.18	109.22	149.86	97.282	101.6

Dixon B5107 Butterfly Valves

Technical Information



The Right Connection®



Actuator Specifications

Description	Air Consumption (cm ³)		Max. Temp. Rating	Min. Temp. Rating	Output Torque (Nm)	Max. Pressure Required	Supply Pressure Required.	Dia. (mm)	Ht. (mm)	Air Fitting Ports
	down stroke CW	up stroke CCW								
Double Acting	139	328	121 °C	-20 °C	65.14	120 psi	80-100 psi	86	149	1/8" NPT
Spring Return	139	303	121 °C	-20 °C	65.14	120 psi	80-100 psi	86	149	1/8" NPT

SS Vertical Spring Return Actuation Butterfly Valves

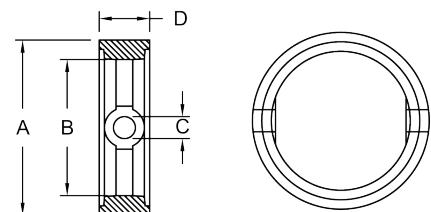
Size (Inch)	EPDM Seats & Vertical Canister Style Actuator - Butt weld		
	EPDM Seats - Normally Closed	EPDM Seats - Normally Open	EPDM Seats - Double Acting
1"	B5107E100BB-G	B5107E100BB-F	B5107E100BB-H
1 1/2"	B5107E150BB-G	B5107E150BB-F	B5107E150BB-H
2"	B5107E200BB-G	B5107E200BB-F	B5107E200BB-H
2 1/2"	B5107E250BB-G	B5107E250BB-F	B5107E250BB-H
3"	B5107E300BB-G	B5107E300BB-F	B5107E300BB-H
4"	B5107E400BB-G	B5107E400BB-F	B5107E400BB-H

Repair Kit

Size (Inch)	Red Silicone	Black EPDM	Brown FKM
	Part Number		
1"	B5107-RKS100	B5107-RKE100	B5107-RKV100
1 1/2"	B5107-RKS150	B5107-RKE150	B5107-RKV150
2"	B5107-RKS200	B5107-RKE200	B5107-RKV200
2 1/2"	B5107-RKS250	B5107-RKE250	B5107-RKV250
3"	B5107-RKS300	B5107-RKE300	B5107-RKV300
4"	B5107-RKS400	B5107-RKE400	B5107-RKV400
6"	B5107-RKS600	B5107-RKE600	B5107-RKV600
8"	-	B5107-RKE800	B5107-RKV800

B5107 Seat Dimensions

Size (Inch)	A (mm)	B (mm)	C (mm)	D (mm)
1"	36.06	21.08	9.40	19.56
1 1/2"	49.02	34.04	9.40	19.56
2"	65.02	43.94	9.40	19.81
2 1/2"	76.96	59.69	11.68	23.11
3"	92.96	71.12	13.97	27.94
4"	125.98	98.04	15.75	36.32
6"	173.48	147.07	15.75	43.18
8"	236.73	200.41	17.02	40.39



Dixon B5107 Butterfly Valves

Technical Information



The Right Connection®

Pressure Drop Chart (kPa)
(Based on water at 21 °C)

Capacity (M ³ /Hr)	Valve Size (In)							
	1"	1.5"	2"	2.5"	3"	4"	6"	8"
1								
2	1							
11	32	3						
20	105	9	1					
30		18	2	1				
39		31	3	3	1			
48		48	6	4	2			
57		68	8	6	3			
66			11	8	4			
75			14	11	6	1		
84			18	14	7	1		
93			22	17	8	2		
102			26	20	10	2		
111			31	23	12	3	1	
120				28	14	3	1	
129				32	16	3	1	
139				37	19	4	2	
148				42	21	5	2	
157				47	23	5	2	
166					27	6	3	
175					30	6	3	
184					32	7	3	
193					36	8	3	
202					39	8	4	
211					43	10	4	
220						10	5	
229						11	5	
238						12	6	
248						13	6	1
257						14	6	1
266						14	7	1
275						16	7	1
284						17	8	1
293						18	8	1
302						19	8	1
311						20	9	1
320						21	10	2
329						23	10	2
338						24	10	2
347						26	11	2
357						27	12	2
366						28	12	2
375						30	13	2

Dixon

1300 134 651

customerservice@dixonvalve.com.au

dixonvalve.com.au