

## Carbon Steel Hose Reels

### Sizes:

- inlet: brass 1½" MNPT 90° swivel
- outlet: brass 1½" MNST gooseneck

### Features:

- friction brake
- left hand inlet
- red hose reel cover (hose not included)
- natural, galvanized finish or red powder coated
- made in USA

### Materials:

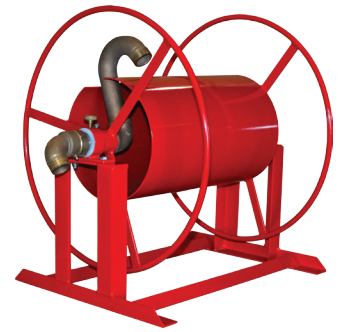
- reel and frame: heavy duty welded carbon steel
- reel and frame: hot dipped galvanized
- waterway: brass and stainless steel
- hardware: 316L stainless steel
- bearings: greaseless polyethylene

### Specification:

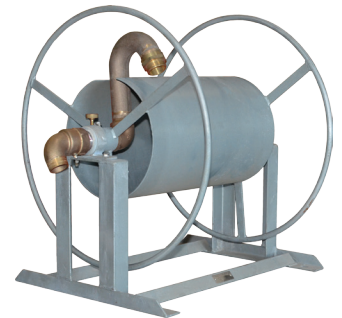
- maximum working water pressure **200 PSI**

### Options:

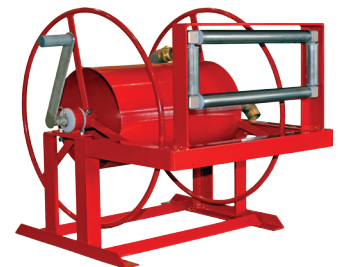
- 24" stand
- inlet: brass 1½" FNPT straight swivel inlet
- manual rewind hand crank (stainless steel w/polyethylene handle)
- right hand inlet
- hose roller assembly (aluminum or stainless steel brackets)
- 1½" non-collapsible UVX hose (up to 150')
- custom colors available; contact Dixon®



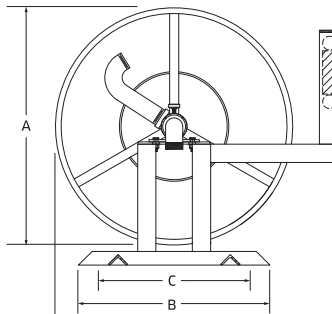
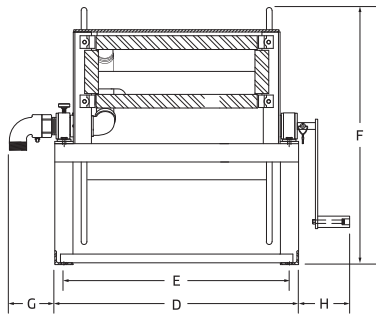
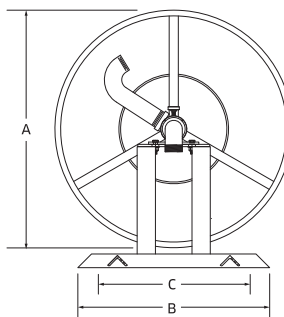
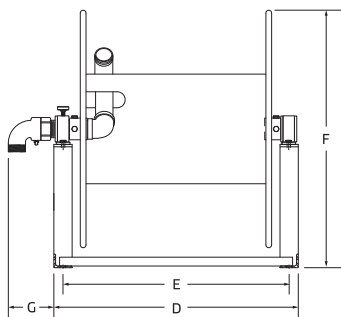
HD150-100PCR



HD150-100G



HD150-100PCRACC



Hose Capacity			Dimensions								
¾"	1"	1½"	A	B	C	D	E	F	G	H	I
0-250'	0-200'	0-150'	26"	21"	17"	26¾"	24¾"	28 <sup>3</sup> / <sub>16</sub>	5"	5 <sup>9</sup> / <sub>16</sub> "	31"

Description	Part #
standard features, galvanized finish	<b>HDR150-100G</b>
hose roller assembly (aluminum), hand crank, galvanized finish	<b>HDR150-100GACC</b>
standard features, galvanized and powder coated (red) finish	<b>HDR150-100PCR</b>
hose roller assembly (aluminum), hand crank, galvanized and powder coated (red) finish	<b>HDR150-100PCRACC</b>