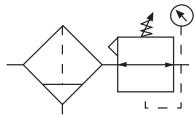


Filter / Regulator B28



B

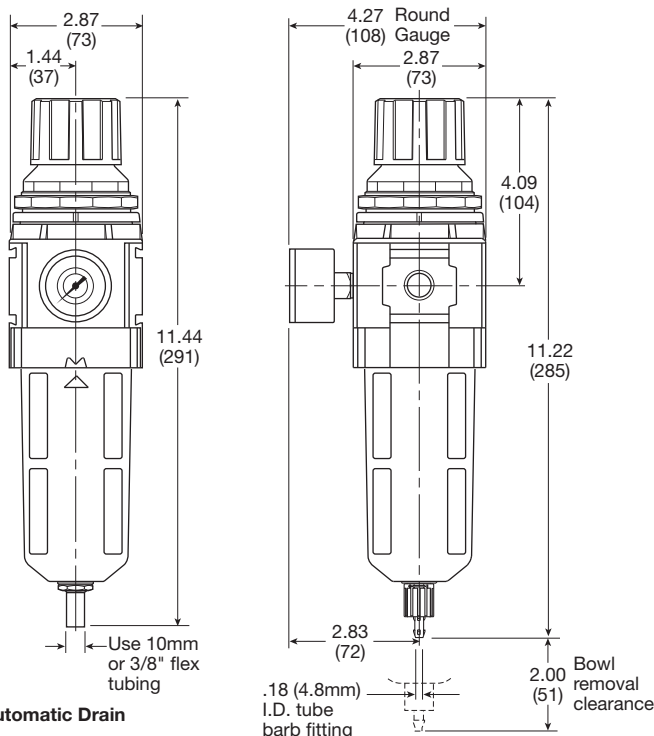
Filters, Regulators, Lubricators

Features

- 5 Micron Filtration
- Balanced Valve Design
- Spring Loaded Diaphragm
- 3/4" NPT / BSPP-G Over-Ported
- Quick-Disconnect Bowl / Bowl Guard
- Light Weight
- High Flow Capacities

⚠ WARNING

**Product rupture can cause serious injury.
Do not connect regulator to bottled gas.
Do not exceed maximum primary pressure rating.**



Inches (mm)

Specifications

Flow Capacity*	3/8	200 SCFM (94 dm ³ /s, ANR)
	1/2	200 SCFM (94 dm ³ /s, ANR)
	3/4	235 SCFM (109 dm ³ /s, ANR)
Adjusting Range Pressure		0 to 30 PSIG (0 to 2.1 bar)
		0 to 60 PSIG (0 to 4.1 bar)
		0 to 125 PSIG (0 to 8.6 bar)
		0 to 250 PSIG (0 to 17.2 bar)
Gauge Port (2)	NPT / BSPP-G	1/4
Maximum Supply Pressure	Plastic Bowl	150 PSIG (10.3 bar)
	Metal Bowl	250 PSIG (17.2 bar)
Operating Temperature	Plastic Bowl	-13° to 125°F (-25° to 52°C)
	Metal Bowl	-13° to 150°F (-25° to 65.5°C)
Port Size	NPT / BSPP-G	3/8, 1/2, 3/4
Bowl Capacity		2.87 oz
Standard Filtration		5 Micron
Weight		1.87 lb. (0.85 kg)

* Inlet pressure 145 psig (10 bar). Secondary pressure 91.3 psig (6.3 bar) and 14.5 psig (1 bar) pressure drop.

“F” Series Filters, Type “A” 5 micron elements: All Wilkerson Type “A” 5 micron elements **meet or exceed** ISO Class 3 for maximum particle size and concentration of solid contaminants.

Air quality: Within ISO 8573-1: 1991 Class 3 (Particulates)
Within ISO 8573-1: 2001 Class 6 (Particulates)

Materials of Construction

Adjustment Knob		Acetal
Body		Aluminum
Body Cap		ABS
Bowls	Plastic Bowl	Polycarbonate
	Metal Bowl	Aluminum
Diaphragm Assembly		Nitrile / Zinc
Element Retainer / Baffle		Acetal
Filter Element		Sintered Polyethylene
Panel Nut		Acetal
Seals	Plastic Bowl	Nitrile
	Metal Bowl	Nitrile
Sight Gauge	Metal Bowl	Polyamide (Nylon)
Springs	Main Regulating / Valve	Steel / S.S.
Valve Assembly		Brass / Nitrile

CAUTION:

REGULATOR PRESSURE ADJUSTMENT – The working range of knob adjustment is designed to permit outlet pressures within their full range. Pressure adjustment beyond this range is also possible because the knob is not a limiting device. This is a common characteristic of most industrial regulators, and limiting devices may be obtained only by special design.

For best performance, regulated pressure should always be set by increasing the pressure up to the desired setting.

= "Most Popular"

Replacement Bowl Kits

- Metal Bowl –
 - Sight Gauge, Automatic Drain GRP-96-645
 - Sight Gauge, Manual Drain..... GRP-96-644
- Plastic Bowl –
 - Bowl Guard, Automatic Drain..... GRP-96-643
 - Bowl Guard, Manual Drain..... GRP-96-642

Replacement Element Kits

- Type "A", 5 Micron FRP-96-653
- Element, Deflector, Retainer kit FRP-96-283

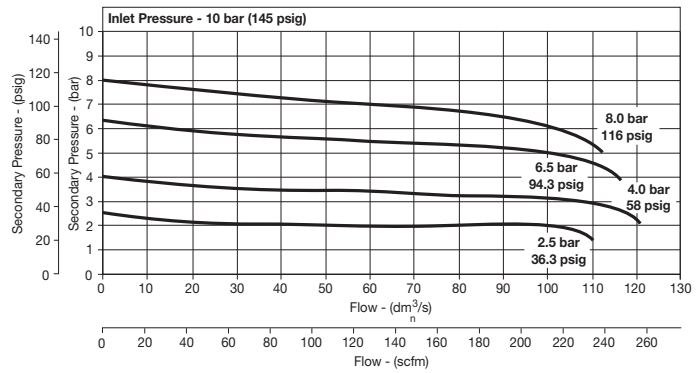
Replacement Kits

- Adjusting Knob RRP-16-341-000
- Diaphragm Assembly –
 - Non-relieving RRP-96-987
 - Relieving RRP-96-986
- Spring, Regulating –
 - 0 to 30 PSIG (0 to 2.1 bar) RRP-96-163
 - 0 to 60 PSIG (0 to 4.1 bar) RRP-96-164
 - 0 to 125 PSIG (0 to 8.6 bar) RRP-96-165
 - 0 to 250 PSIG (0 to 17.2 bar) RRP-96-166
- Valve Assembly RRP-96-049

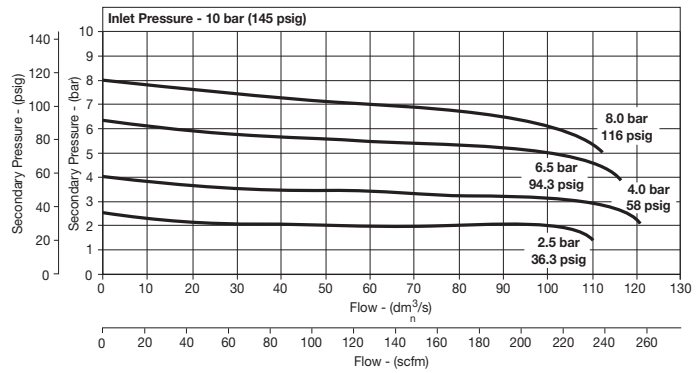
Accessories

- Automatic Drain –
 - Fluorocarbon GRP-95-981
 - Nitrile GRP-95-973
- Manual Drain GRP-96-685
- Panel Mount Nut –
 - Aluminum RRP-96-674
 - Plastic RRP-96-676
- Gauge, Pressure –
 - 50mm (2") round 1/4" center back mount
 - 0-30 PSIG / 0-2 bar K4520N14030
 - 0-60 PSIG / 0-4 bar K4520N14060
 - 0-160 PSIG / 0-11 bar K4520N14160
 - 0-300 PSIG / 0-20 bar K4520N14300
 - 0 to 160 PSIG, 1-3/4" Digital Round, 1/4" NPT K4517N14160D
- Tamper Resistant Kit RRP-96-672
- Sight Gauge Kit GRP-96-825
- Wall Mounting Bracket –
 - L-Type (Body) GPA-96-605
 - L-Type (Bonnet) GPA-96-607
 - T-Type GPA-96-602

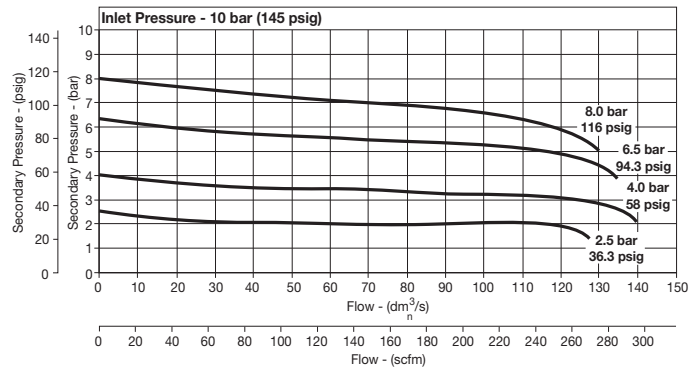
B28 3/8" Filter / Regulator



B28 1/2" Filter / Regulator



B18 3/8" Filter / Regulator



Ordering Information

Model Type	Port Size	Plastic Bowl / Bowl Guard With Gauge 5 to 125 PSIG (0.4 to 8.6 bar)	Metal Bowl / Sight Gauge With Gauge 5 to 125 PSIG (0.4 to 8.6 bar)
Manual Drain	3/8	B28-03-FKGOB	B28-03-FLGOB
	1/2	B28-04-FKGOB	B28-04-FLGOB
	3/4	B28-06-FKGOB	B28-06-FLGOB
Automatic Drain	3/8	B28-03-FGGOB	B28-03-FHGOB
	1/2	B28-04-FGGOB	B28-04-FHGOB
	3/4	B28-06-FGGOB	B28-06-FHGOB

Options - To order an option supplied with the unit model, add the appropriate coded suffix letter in the designated position of the model number.