



# ***D-TORR* Vacuum Fittings**

Dixon Sanitary manufactures high-quality vacuum components for the semiconductor industry.

**The D-TORR product range includes:**

- KF and ISO fittings and flanges
- Flexible bellows
- Clamps
- Weld elbows, reducers, and tees
- KF ball valves
- Accessories
- Special fabrications

---

## **Table of Contents**

KF flanges and fittings .....	3 - 6
KF ball valve .....	7
ISO flanges and fittings .....	8 - 10
Vacuum weld fittings .....	11 - 13
Material test report information .....	14

# KF Flanges and Fittings

## Application:

- Vacuum sealing for ½" - 2" OD tubing in the semiconductor industry

## Sizes:

- KF10 - KF50

## Features:

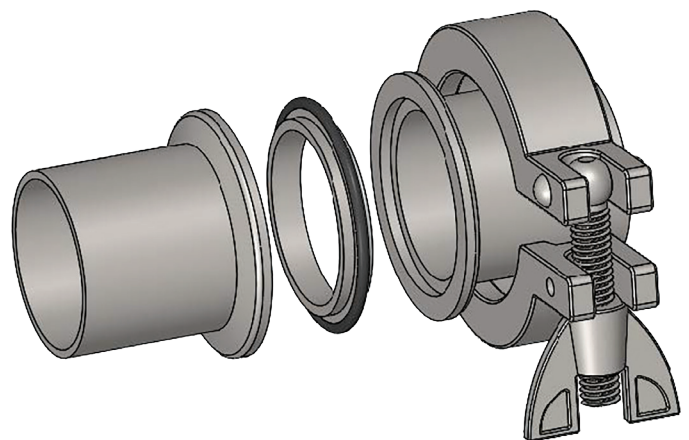
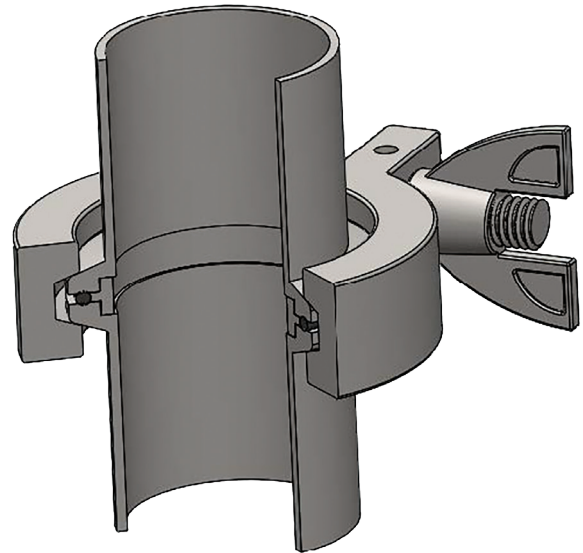
- Each assembly contains two identical flanges and a centering ring assembly and is clamped together with a thumbscrew clamp
- Coupling features prevent O-ring collapse and keep the assembly aligned
- KF flanges are compatible with other ISO-KF-QF vacuum flange manufacturers' components
- All fittings are IPA cleaned and bagged in a controlled environment
- MTR's available, see page 14

## Materials:

- Fittings: 304 or 316L stainless steel
- Clamps: aluminum
- O-ring: FKM

## Specifications:

- Maximum temperature: **302°F (150°C)**
- Helium leakage testing to  $1 \times 10^{-8}$  Torr
- Standards followed: ISO2681



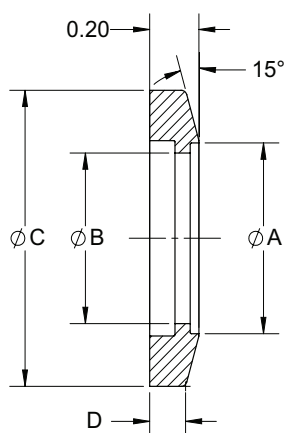
# KF Flanges and Fittings

## Part Number Breakdown Example: DVF - A 10 G A

(KF10, 304 stainless steel bored flange)

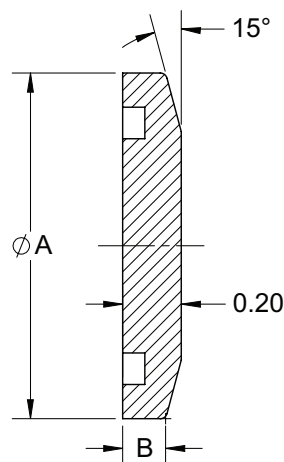
Product Line	-	Series	Size	Material	Type
DVF		A - KF	10 - KF10	G - 304 stainless steel R - 316L stainless steel <sup>1</sup> L - Aluminum (clamp only)	A - KF bored flange
		B - ISO	16 - KF16		B - KF blank flange
		C - Fitting	25 - KF25		C - KF short weld flange
			40 - KF40		D - KF long weld flange
			50 - KF50		E - KF centering ring assembly
				F - KF overpressure ring	
				G - KF flex bellow	
				H - KF clamp	

<sup>1</sup> Minimum quantity requirements apply.



### KF Bored Flange

Flange Size	A	B	C	D	304 Stainless Steel Part #
KF10	0.51"	0.45"	1.18"	0.12"	<b>DVF-A10GA</b>
KF16	0.76"	0.68"	1.18"	0.11"	<b>DVF-A16GA</b>
KF25	1.01"	0.94"	1.58"	0.13"	<b>DVF-A25GA</b>
KF40	1.51"	1.43"	2.17"	0.12"	<b>DVF-A40GA</b>
KF50	2.01"	1.94"	2.95"	0.12"	<b>DVF-A50GA</b>



### KF Blank Flange

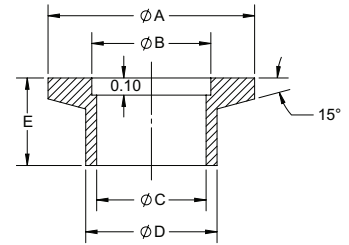
Flange Size	A	B	304 Stainless Steel Part #
KF10	1.18"	0.12"	<b>DVF-A10GB</b>
KF16	1.18"	0.11"	<b>DVF-A16GB</b>
KF25	1.58"	0.13"	<b>DVF-A25GB</b>
KF40	2.17"	0.12"	<b>DVF-A40GB</b>
KF50	2.95"	0.12"	<b>DVF-A50GB</b>

All dimensions are in inches unless indicated otherwise.  
Dimensions are approximate and subject to change at any time without notice.

# KF Flanges and Fittings

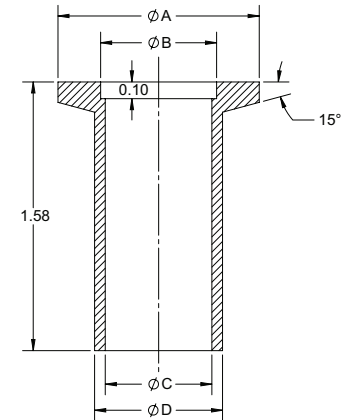
## KF Short Weld Flange

Flange Size	A	B	C	D	E	304 Stainless Steel Part #
KF10	1.18"	0.48"	0.37"	0.50"	0.50"	<b>DVF-A10GC</b>
KF16	1.18"	0.67"	0.62"	0.75"	0.50"	<b>DVF-A16GC</b>
KF25	1.58"	1.03"	0.87"	1.00"	0.50"	<b>DVF-A25GC</b>
KF40	2.17"	1.62"	1.37"	1.50"	0.75"	<b>DVF-A40GC</b>
KF50	2.95"	2.05"	1.87"	2.00"	0.75"	<b>DVF-A50GC</b>



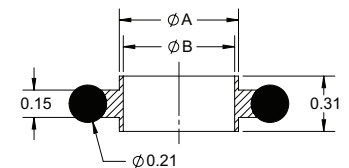
## KF Long Weld Flange

Flange Size	A	B	C	D	304 Stainless Steel Part #
KF10	1.18"	0.48"	0.37"	0.50"	<b>DVF-A10GD</b>
KF16	1.18"	0.67"	0.62"	0.75"	<b>DVF-A16GD</b>
KF25	1.58"	1.03"	0.87"	1.00"	<b>DVF-A25GD</b>
KF40	2.17"	1.62"	1.37"	1.50"	<b>DVF-A40GD</b>
KF50	2.95"	2.05"	1.87"	2.00"	<b>DVF-A50GD</b>



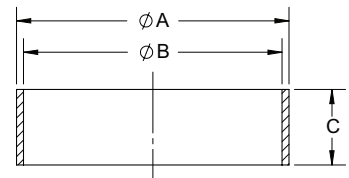
## KF Centering Ring Assembly

Flange Size	A	B	304 Stainless Steel with FKM O-ring Part #
KF10	0.48"	0.44"	<b>DVF-A10GE</b>
KF16	0.67"	0.63"	<b>DVF-A16GE</b>
KF25	1.02"	0.98"	<b>DVF-A25GE</b>
KF40	1.61"	1.57"	<b>DVF-A40GE</b>
KF50	2.05"	1.97"	<b>DVF-A50GE</b>



## KF Overpressure Ring

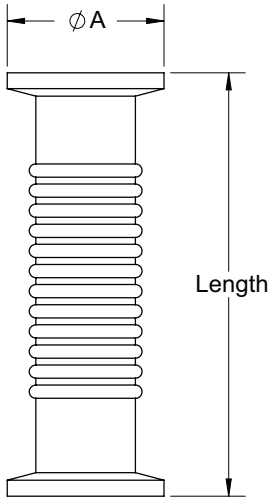
Flange Size	A	B	C	Max PSIG	304 Stainless Steel Part #
KF10	1.25"	1.19"	0.35"	<b>100</b>	<b>DVF-A1016GF</b>
KF16	1.25"	1.19"	0.35"	<b>100</b>	<b>DVF-A1016GF</b>
KF25	1.66"	1.58"	0.35"	<b>100</b>	<b>DVF-A25GF</b>
KF40	2.26"	2.18"	0.35"	<b>75</b>	<b>DVF-A40GF</b>
KF50	2.77"	2.64"	0.15"	<b>50</b>	<b>DVF-A50GF</b>



All dimensions are in inches unless indicated otherwise.  
Dimensions are approximate and subject to change at any time without notice.

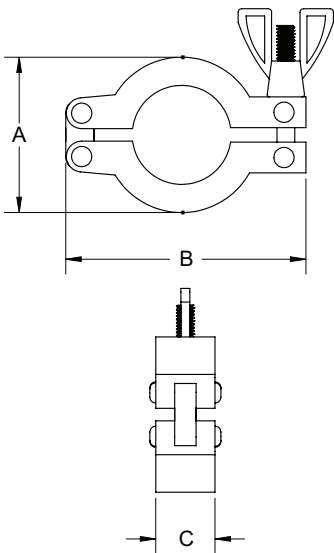
# KF Flanges and Fittings

## KF Flex Bellow (Formed)



Flange Size	A	Length	304 Stainless Steel Part #
KF10	1.18"	3.20"	<b>DVF-A10GG</b>
KF16	1.18"	3.20"	<b>DVF-A16GG</b>
KF25	1.58"	4.20"	<b>DVF-A25GG</b>
KF40	2.17"	4.20"	<b>DVF-A40GG</b>
KF50	2.95"	4.20"	<b>DVF-A50GG</b>

## KF Clamp



Flange Size	A	B	C	Aluminum Part #
KF10	1.69"	2.39"	0.63"	<b>DVF-A1016LH</b>
KF16	1.69"	2.39"	0.63"	<b>DVF-A1016LH</b>
KF25	2.14"	2.80"	0.63"	<b>DVF-A25LH</b>
KF40	2.75"	3.44"	0.63"	<b>DVF-A40LH</b>
KF50	3.50"	4.25"	0.71"	<b>DVF-A50LH</b>

All dimensions are in inches unless indicated otherwise.  
Dimensions are approximate and subject to change at any time without notice.

# KF Two-Way Encapsulated Ball Valve

## Sizes:

- ½" - 2"

## Features:

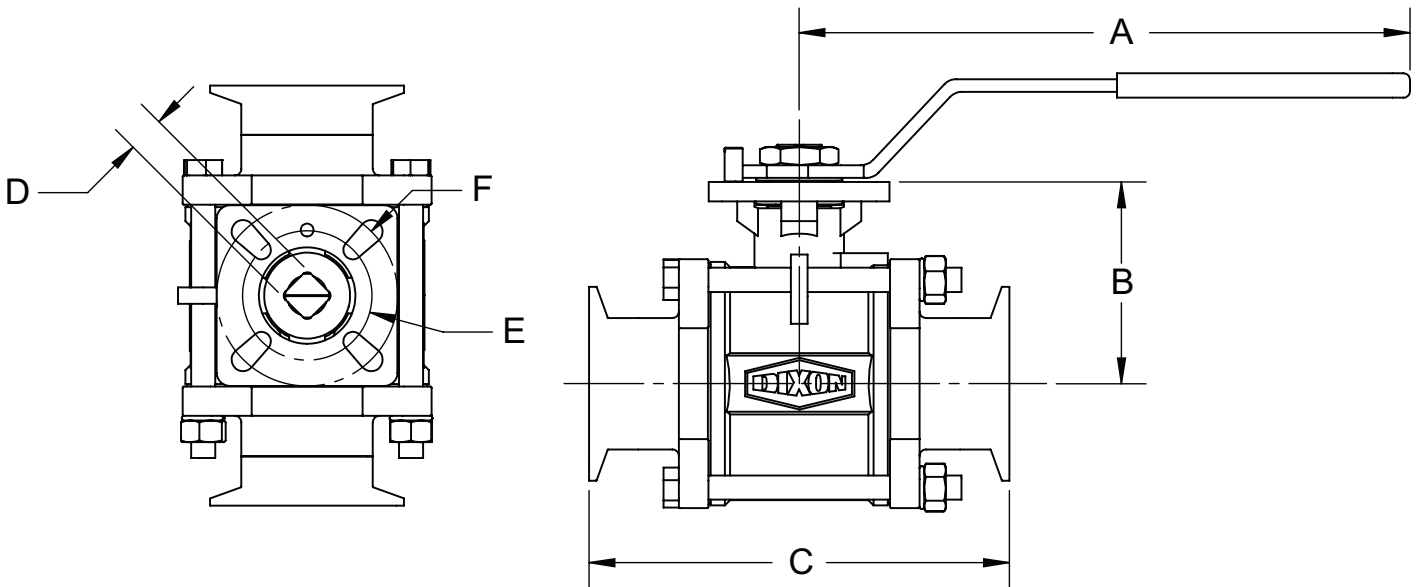
- Live-loaded stem packing
- Blowout-proof stem
- Full port design
- ISO5211 high mounting pad
- Encapsulated seals
- Lockable handle
- Can be actuated
- 100% tested before shipping

## Materials:

- Body, ends, and ball: CF8M stainless steel
- Seats: virgin PTFE, 15% glass reinforced RTFE, 25% carbon reinforced PTFE, 50% stainless steel reinforced PTFE or UHMW

## Specifications:

- Maximum pressure rating: **1000 PSI WOG**
- Helium leakage testing to  $1 \times 10^{-8}$  Torr

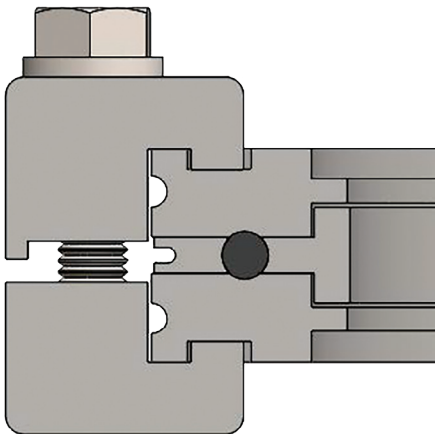
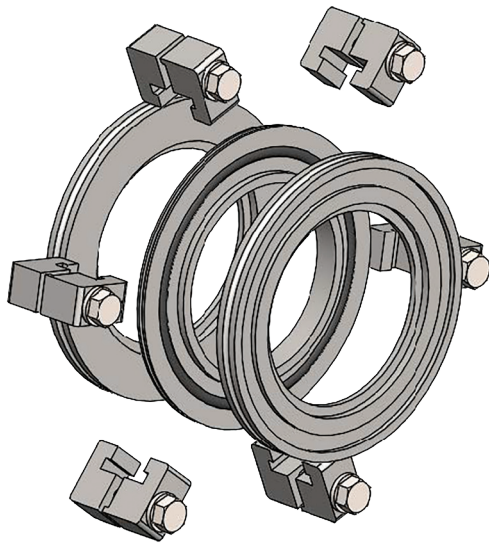
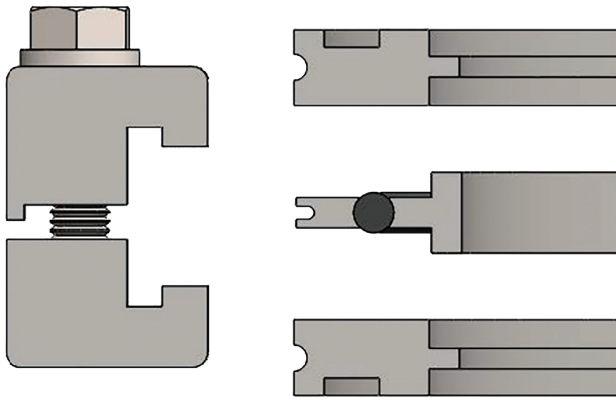


Flange Size	A	B	C	D (mm)	E (mm)	F (mm)	Stainless Steel Part #
KF10	4.9"	1.5"	4.3"	9.00	F03	F04	<b>BV2CV-050VV-A</b>
KF16	4.9"	1.8"	4.7"	9.00	F03	F04	<b>BV2CV-075VV-A</b>
KF25	5.4"	2.1"	4.9"	11.00	F04	F05	<b>BV2CV-100VV-A</b>
KF40	9.3"	2.7"	5.6"	14.00	F05	F07	<b>BV2CV-150VV-A</b>
KF50	9.3"	3.1"	6.4"	14.00	F05	F07	<b>BV2CV-200VV-A</b>

All dimensions are in inches unless indicated otherwise.  
Dimensions are approximate and subject to change at any time without notice.



# ISO Flanges and Fittings



## Application:

- Vacuum sealing for 2½" - 10" OD tubing in the semiconductor industry

## Sizes:

- ISO63 - ISO250

## Features:

- Each assembly contains two identical flanges and a centering ring assembly and is joined together by clamps
- Centering ring keeps the flanges in line and prevents the O-ring from being pushed in by atmospheric pressure.
- Multiple clamps must be used to ensure a sturdy connection
- ISO fittings are compatible with other manufacturers' ISO-KF-QF vacuum flanges
- All fittings are IPA cleaned and bagged in a controlled environment
- MTR's available, see page 14

## Materials:

- Fittings: 304 or 316L stainless steel
- Clamps: aluminum
- O-ring: FKM

## Specifications:

- Maximum temperature: **302°F (150°C)**
- Helium leakage testing to  $1 \times 10^{-8}$  Torr
- Standards followed: ISO2681



# ISO Flanges and Fittings

## Part Number Breakdown Example: DVF - B 63 G A

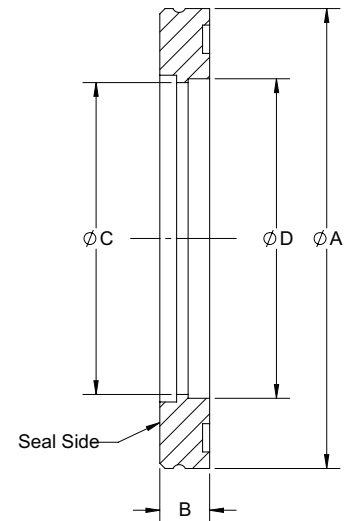
(ISO63, 304 stainless steel bored flange)

Product Line	-	Series	Size	Material	Type
DVF		A - KF B - ISO C - Fitting	63 - ISO63 80 - ISO80 100 - ISO100 160 - ISO160 200 - ISO200 250 - ISO250	G - 304 stainless steel R - 316L stainless steel <sup>1</sup> L - Aluminum (clamp only)	A - ISO bored flange B - ISO blank flange E - ISO centering ring assembly G - ISO flexible bellow H - ISO double claw clamp

<sup>1</sup> Minimum quantity requirements apply.

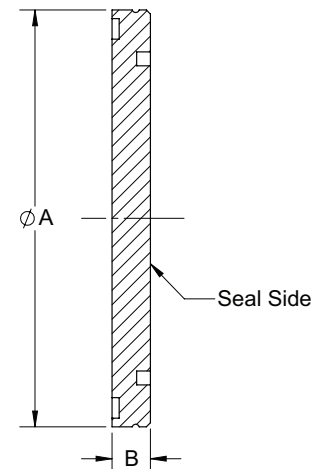
### ISO Bored Flange

Flange Size	A	B	C	D	304 Stainless Steel Part #
ISO63	3.74"	0.47"	2.44"	2.51"	<b>DVF-B63GA</b>
ISO80	4.33"	0.47"	2.94"	3.01"	<b>DVF-B80GA</b>
ISO100	5.12"	0.47"	3.91"	4.02"	<b>DVF-B100GA</b>
ISO160	7.09"	0.47"	5.87"	6.03"	<b>DVF-B160GA</b>
ISO200	9.45"	0.47"	7.87"	8.03"	<b>DVF-B200GA</b>
ISO250	11.42"	0.47"	9.88"	10.02"	<b>DVF-B250GA</b>



### ISO Blank Flange

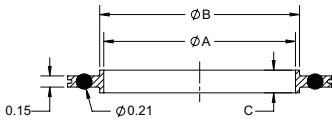
Flange Size	A	B	304 Stainless Steel Part #
ISO63	3.74"	0.47"	<b>DVF-B63GB</b>
ISO80	4.33"	0.47"	<b>DVF-B80GB</b>
ISO100	5.12"	0.47"	<b>DVF-B100GB</b>
ISO160	7.09"	0.47"	<b>DVF-B160GB</b>
ISO200	9.45"	0.47"	<b>DVF-B200GB</b>
ISO250	11.42"	0.47"	<b>DVF-B250GB</b>



All dimensions are in inches unless indicated otherwise.  
Dimensions are approximate and subject to change at any time without notice.

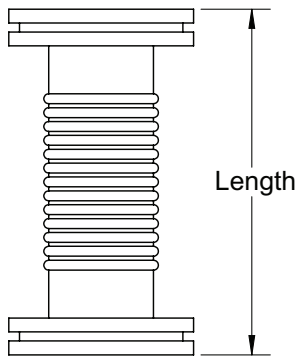
# ISO Flanges and Fittings

## ISO Centering Ring Assembly



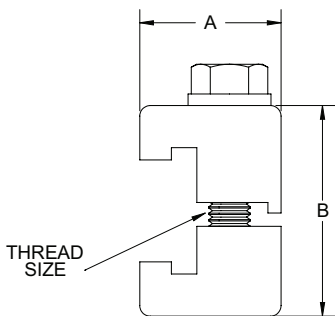
Flange Size	A	B	C	304 Stainless Steel Centering Ring FKM O-ring Aluminum Spacer Ring Part #
ISO63	2.63"	2.74"	0.31"	<b>DVF-B63GE</b>
ISO80	3.14"	3.25"	0.31"	<b>DVF-B80GE</b>
ISO100	3.89"	4.00"	0.31"	<b>DVF-B100GE</b>
ISO160	5.90"	6.01"	0.31"	<b>DVF-B160GE</b>
ISO200	8.26"	8.37"	0.31"	<b>DVF-B200GE</b>

## ISO Flexible Bellow (Formed)



Flange Size	Length	Compressed Length	304 Stainless Steel Part #
ISO63	7.00"	6.00"	<b>DVF-B63GG</b>
ISO80	7.00"	6.00"	<b>DVF-B80GG</b>
ISO100	7.00"	6.00"	<b>DVF-B100GG</b>
ISO160	7.00"	6.00"	<b>DVF-B160GG</b>
ISO200	7.00"	6.00"	<b>DVF-B200GG</b>
ISO250	13.50"	10.50"	<b>DVF-B250GG</b>

## ISO Double Claw Clamp



Flange Size	A	B	Thread Size	Qty. of Clamps Required	Aluminum Part #
ISO63	0.94"	1.96"	5/16-18"	3 - 4	<b>DVF-B63100LH</b>
ISO80	0.94"	1.96"	5/16-18"	4 - 8	<b>DVF-B63100LH</b>
ISO100	0.94"	1.96"	5/16-18"	4 - 8	<b>DVF-B63100LH</b>
ISO160	1.10"	1.96"	5/16-18"	4 - 8	<b>DVF-B160250LH</b>
ISO200	1.10"	1.96"	5/16-18"	6 - 12	<b>DVF-B160250LH</b>
ISO250	1.10"	1.96"	5/16-18"	6 - 12	<b>DVF-B160250LH</b>

Note: ISO clamps are sold in multiples of 4.

All dimensions are in inches unless indicated otherwise.  
Dimensions are approximate and subject to change at any time without notice.

# Vacuum Weld Fittings

Dixon® manufactures high-quality weld fittings for use in high-vacuum and high-temperature applications. Each part is crafted with precision to ensure a leak-free fit. All fittings are IPA cleaned and bagged in a controlled environment.

## Application:

- Use in high-vacuum and high-temperature applications

## Sizes:

- ½" - 6"

## Feature:

- MTR's available, see page 14

## Materials:

- Fittings: 304 or 316L stainless steel

## Specifications:

- Helium leakage testing to  $1 \times 10^{-8}$  Torr
- Standards followed: ASTM A270, ASTM A269, and ASME SA270



## Part Number Breakdown Example: DVF - C 050 G 1 Q

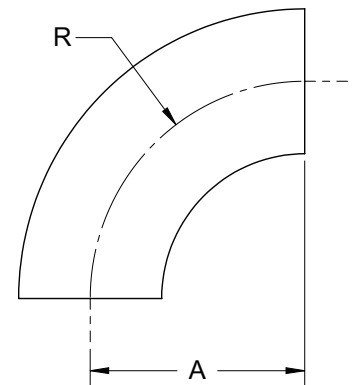
(½" 90° elbow, polished weld fitting, 304 stainless steel)

Product Line	-	Series	Size	Material	Finish	Type
DVF		A - KF B - ISO C - Fitting	050 - ½"	G - 304 stainless steel R - 316L stainless steel <sup>1</sup>	1 - polished 2 - bead blast <sup>1</sup>	Q - 90° elbow R - 90° elbow with tangents S - 45° elbow T - 45° elbow with tangents U - concentric reducer V - tee W - reducing tee
			075 - ¾"			
			100 - 1"			
			150 - 1½"			
			200 - 2"			
			250 - 2½"			
			300 - 3"			
			400 - 4"			
600 - 6"						

<sup>1</sup> Minimum quantity requirements apply.

## Weld 90° Elbow

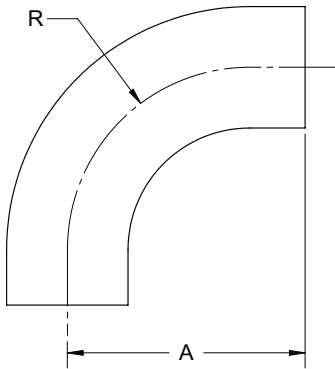
OD	A	R	304 Stainless Steel Part #
½"	0.75"	0.75"	<b>DVF-C050G1Q</b>
¾"	1.00"	1.00"	<b>DVF-C075G1Q</b>
1"	1.50"	1.50"	<b>DVF-C100G1Q</b>
1½"	2.25"	2.25"	<b>DVF-C150G1Q</b>
2"	3.00"	3.00"	<b>DVF-C200G1Q</b>
2½"	3.75"	3.75"	<b>DVF-C250G1Q</b>
3"	4.50"	4.50"	<b>DVF-C300G1Q</b>
4"	6.00"	6.00"	<b>DVF-C400G1Q</b>
6"	9.00"	9.00"	<b>DVF-C600G1Q</b>



All dimensions are in inches unless indicated otherwise.  
Dimensions are approximate and subject to change at any time without notice.

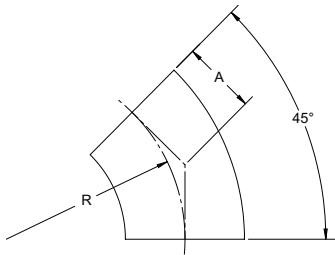
# Vacuum Weld Fittings

## Weld 90° Elbow with Tangents



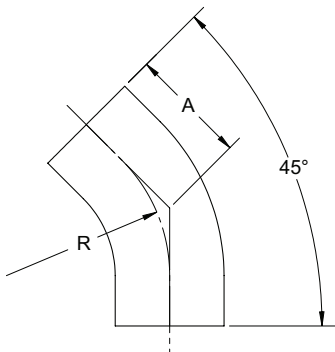
OD	A	R	304 Stainless Steel Part #
3/4"	1.42"	1.00"	<b>DVF-C075G1R</b>
1"	1.82"	1.50"	<b>DVF-C100G1R</b>
1½"	2.94"	2.25"	<b>DVF-C150G1R</b>
2"	4.06"	3.00"	<b>DVF-C200G1R</b>
2½"	5.19"	3.75"	<b>DVF-C250G1R</b>
3"	6.31"	4.50"	<b>DVF-C300G1R</b>
4"	8.31"	6.00"	<b>DVF-C400G1R</b>
6"	11.50"	9.00"	<b>DVF-C600G1R</b>

## Weld 45° Elbow



OD	A	R	304 Stainless Steel Part #
½"	0.31"	0.75"	<b>DVF-C050G1S</b>
¾"	0.41"	1.00"	<b>DVF-C075G1S</b>
1"	0.62"	1.50"	<b>DVF-C100G1S</b>
1½"	0.93"	2.25"	<b>DVF-C150G1S</b>
2"	1.25"	3.00"	<b>DVF-C200G1S</b>
2½"	1.53"	3.75"	<b>DVF-C250G1S</b>
3"	1.84"	4.50"	<b>DVF-C300G1S</b>
4"	2.50"	6.00"	<b>DVF-C400G1S</b>
6"	3.73"	9.00"	<b>DVF-C600G1S</b>

## Weld 45° Elbow with Tangents

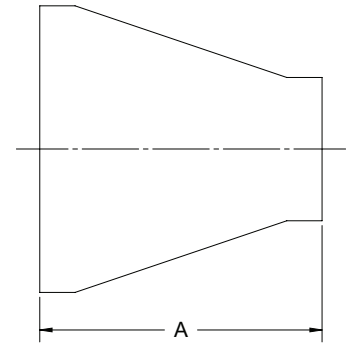


OD	A	R	304 Stainless Steel Part #
¾"	0.76"	1.00"	<b>DVF-C075G1T</b>
1"	1.19"	1.50"	<b>DVF-C100G1T</b>
1½"	1.63"	2.25"	<b>DVF-C150G1T</b>
2"	2.31"	3.00"	<b>DVF-C200G1T</b>
2½"	3.00"	3.75"	<b>DVF-C250G1T</b>
3"	3.68"	4.50"	<b>DVF-C300G1T</b>
4"	4.81"	6.00"	<b>DVF-C400G1T</b>
6"	7.33"	9.00"	<b>DVF-C600G1T</b>

All dimensions are in inches unless indicated otherwise.  
Dimensions are approximate and subject to change at any time without notice.

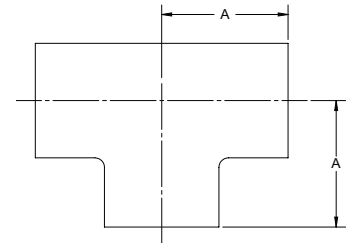
## Vacuum Weld Fittings Concentric Reducer with Tangents

OD	A	304 Stainless Steel Part #
1" x ¾"	1.38"	<i>DVF-C100075G1U</i>
1½" x ¾"	2.38"	<i>DVF-C150075G1U</i>
1½" x 1"	2.38"	<i>DVF-C150100G1U</i>
2" x 1"	2.38"	<i>DVF-C200100G1U</i>
2" x 1½"	2.38"	<i>DVF-C200150G1U</i>
2½" x 1½"	2.38"	<i>DVF-C250150G1U</i>
2½" x 2"	2.38"	<i>DVF-C250200G1U</i>
3" x 1½"	3.63"	<i>DVF-C300150G1U</i>
3" x 2"	3.63"	<i>DVF-C300200G1U</i>
3" x 2½"	3.63"	<i>DVF-C300250G1U</i>
4" x 2"	3.63"	<i>DVF-C400200G1U</i>
4" x 2½"	3.63"	<i>DVF-C400250G1U</i>
4" x 3"	3.63"	<i>DVF-C400300G1U</i>



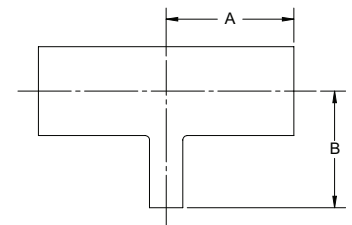
### Weld Tee

OD	A	304 Stainless Steel Part #
½"	0.75"	<i>DVF-C050G1V</i>
¾"	1.00"	<i>DVF-C075G1V</i>
1"	1.88"	<i>DVF-C100G1V</i>
1½"	2.25"	<i>DVF-C150G1V</i>
2"	3.00"	<i>DVF-C200G1V</i>
2½"	3.00"	<i>DVF-C250G1V</i>
3"	3.25"	<i>DVF-C300G1V</i>
4"	3.88"	<i>DVF-C400G1V</i>
6"	5.00"	<i>DVF-C600G1V</i>



### Weld Reducing Tee

OD	A	B	304 Stainless Steel Part #
1" x ¾"	1.88"	2.13"	<i>DVF-C100075G1W</i>
1½" x ¾"	2.25"	2.25"	<i>DVF-C150075G1W</i>
1½" x 1"	2.25"	2.38"	<i>DVF-C150100G1W</i>
2" x 1"	3.00"	2.38"	<i>DVF-C200100G1W</i>
2" x 1½"	3.00"	2.38"	<i>DVF-C200150G1W</i>
2½" x 1½"	3.00"	2.50"	<i>DVF-C250150G1W</i>
2½" x 2"	3.00"	2.75"	<i>DVF-C250200G1W</i>
3" x 1½"	3.25"	3.25"	<i>DVF-C300150G1W</i>
3" x 2"	3.25"	3.00"	<i>DVF-C300200G1W</i>
3" x 2½"	3.25"	3.25"	<i>DVF-C300250G1W</i>
4" x 1½"	3.88"	3.50"	<i>DVF-C400150G1W</i>
4" x 2"	3.88"	4.00"	<i>DVF-C400200G1W</i>
4" x 2½"	3.88"	3.75"	<i>DVF-C400250G1W</i>
4" x 3"	3.88"	3.75"	<i>DVF-C400300G1W</i>
6" x 3"	5.00"	4.75"	<i>DVF-C600300G1W</i>
6" x 4"	5.00"	4.88"	<i>DVF-C600400G1W</i>



All dimensions are in inches unless indicated otherwise.  
Dimensions are approximate and subject to change at any time without notice.

## MTR - Material Test Reports

An MTR is a report that contains information about the raw materials, chemical properties, and mechanical properties of a part. Dixon Sanitary provides material test reports for vacuum fittings.



### Each MTR will contain:

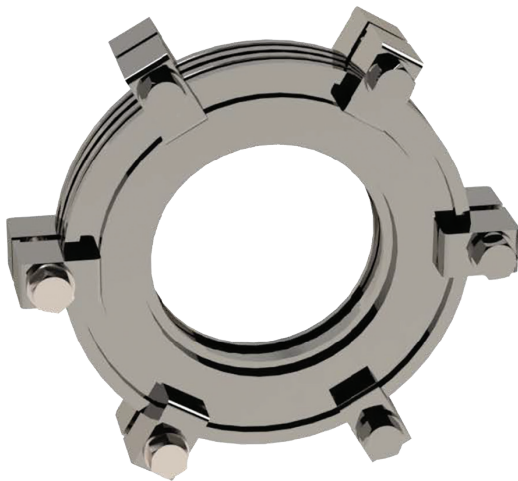
- Part number and part description
- Material and material standards
- Heat number
- Chemical properties
- Mechanical properties
- Job number

### To retrieve an MTR by QR code:

1. Scan the QR code on the product packaging
2. Enter the job number
3. Review the MTR

### To retrieve an MTR at [dixonvalve.com](https://www.dixonvalve.com):

1. Go to [dixonvalve.com/knowledge-center/interactive-tools/mtr](https://www.dixonvalve.com/knowledge-center/interactive-tools/mtr)
2. Enter the job number
3. Review the MTR



## Limited Warranty

DIXON VALVE & COUPLING COMPANY, LLC (herein called "Dixon") warrants the products described herein and manufactured by Dixon to be free from defects in material and workmanship for a period of one (1) year from date of shipment by Dixon under normal use and service. Its sole obligation under this warranty being limited to repairing or replacing, as hereinafter provided, at its option any product found to Dixon's satisfaction to be defective upon examination by it, provided that such product shall be returned for inspection to Dixon's factory within three (3) months after discovery of the defect. The repair or replacement of defective products will be made without charge for parts or labor. This warranty shall not apply to: (a) parts or products not manufactured by Dixon, the warranty of such items being limited to the actual warranty extended to Dixon by its supplier; (b) any product that has been subject to abuse, negligence, accident, or misapplication; (c) any product altered or repaired by others than Dixon; and (d) to normal maintenance services and the replacement of service items (such as washers, gaskets, and lubricants) made in connection with such services. To the extent permitted by law, this limited warranty shall extend only to the buyer and any other person reasonably expected to use or consume the goods who is injured in person by any breach of the warranty. No action may be brought against Dixon for an alleged breach of warranty unless such action is instituted within one (1) year from the date the cause of action accrues. This limited warranty shall be construed and enforced to the fullest extent allowable by applicable law.

Other than the obligation of Dixon set forth herein, Dixon disclaims all warranties, express or implied, including but not limited to any implied warranties of merchantability or fitness for a particular purpose, and any other obligation or liability. The foregoing constitutes Dixon's sole obligation with respect to damages, whether direct, incidental or consequential, resulting from the use or performance of the product.

Some products and sizes may be discontinued when stock is depleted, or may require a minimum quantity for ordering.

NOTE: Reasonable care has been taken in preparing this catalog. Dixon Sanitary, a division of Dixon Valve & Coupling Company, LLC reserves the right to make corrections and any dimensional changes.



Dixon®, founded in 1916, is a premier manufacturer and supplier of hose couplings, valves, dry-disconnects, swivels, and other fluid transfer and control products. The company's global reach includes a wide range of products for numerous industries including petroleum exploration, refining, transportation, chemical processing, food & beverage, steel, fire protection, construction, mining, and manufacturing. Dixon®'s strategic objective is to create solutions that make products safer, leak-free, longer lasting, and always available.

**dixonvalve.com** • *Customer Service:* **800.789.1718**



*The Right Connection®*

### **Dixon Sanitary**

N25 W23040 Paul Road  
Pewaukee, WI 53072  
ph: 800.789.1718  
fx: 800.789.4046

Need a more detailed drawing or CAD model?  
Email [sanitarydrawings@dixonvalve.com](mailto:sanitarydrawings@dixonvalve.com)

