



# Stainless Steel Knife Gate Valve

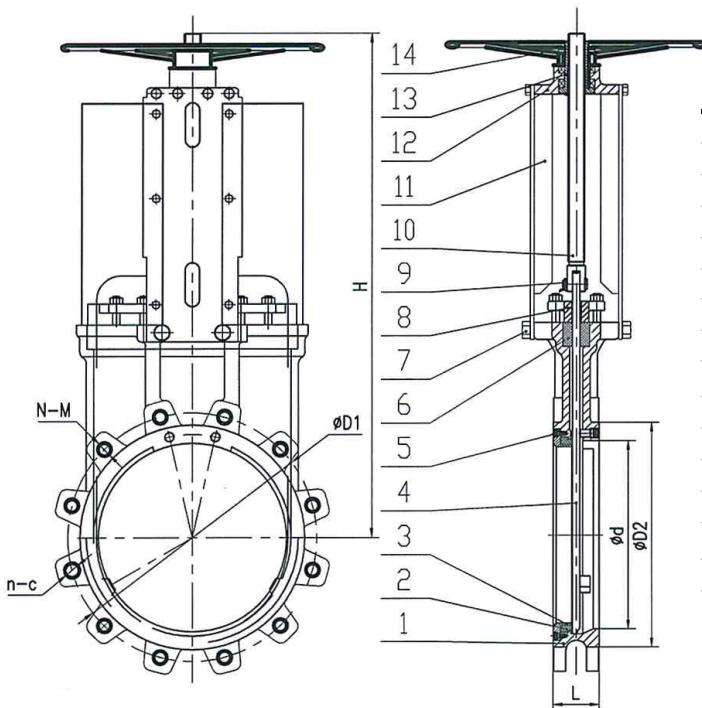
## Technical Information



The Right Connection®

### Hand Wheel

Size (mm)	Part No.	Description
50	<a href="#">VKG-050-RS-SS</a>	316 stainless steel resilient seat, hand wheel, Lug T/D Knife Gate Valve
65	<a href="#">VKG-065-RS-SS</a>	316 stainless steel resilient seat, hand wheel, Lug T/D Knife Gate Valve
80	<a href="#">VKG-080-RS-SS</a>	316 stainless steel resilient seat, hand wheel, Lug T/D Knife Gate Valve
100	<a href="#">VKG-100-RS-SS</a>	316 stainless steel resilient seat, hand wheel, Lug T/D Knife Gate Valve
125	<a href="#">VKG-125-RS-SS</a>	316 stainless steel resilient seat, hand wheel, Lug T/D Knife Gate Valve
150	<a href="#">VKG-150-RS-SS</a>	316 stainless steel resilient seat, hand wheel, Lug T/D Knife Gate Valve
200	<a href="#">VKG-200-RS-SS</a>	316 stainless steel resilient seat, hand wheel, Lug T/D Knife Gate Valve
250	<a href="#">VKG-250-RS-SS</a>	316 stainless steel resilient seat, hand wheel, Lug T/D Knife Gate Valve
300	<a href="#">VKG-300-RS-SS</a>	316 stainless steel resilient seat, hand wheel, Lug T/D Knife Gate Valve



Number	Part	Material
1	Handwheel	ZG25
2	Stem nut	QA19-4
3	Steel block	WCB
4	Support plates	SS304
5	Stem	2Cr13
6	Pin	F304
7	Glang Follower	CF8M
8	Bolt	A4-70
9	Packing	PTFE+SI
10	Bolt	A4-70
11	Gate	SS316
12	Seat Cover	CF8M
13	Seat	PTFE
14	Body	CF8M

DN	L	ød	øD1	D2	N-M	H
80	51	90	146	122	4-M16	365
100	51	105	178	154	4-M16	410
150	57	158	235	211	8-M16	505
200	70	210	292	266	8-M16	615
250	70	210	356	319	8-M20	740

**Dixon**

1300 134 651

customerservice@dixonvalve.com.au

dixonvalve.com.au

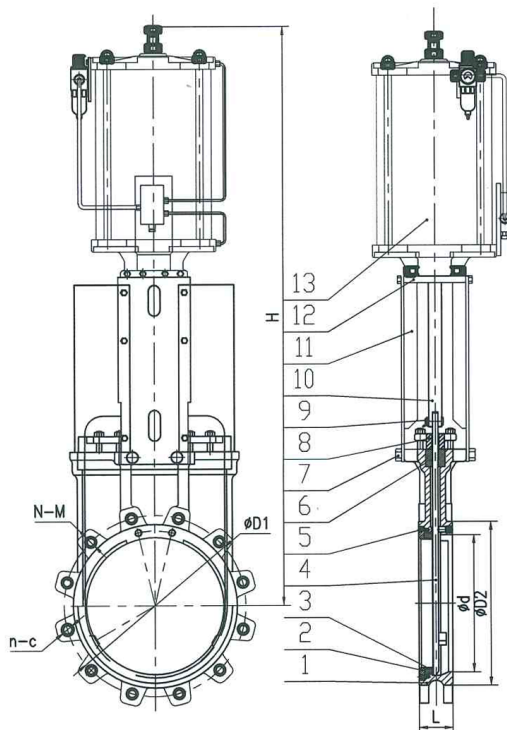
# Stainless Steel Knife Gate Valve

## Technical Information



Double Acting Lugged to AS2129 Table D

Size (mm)	Part No.	Description
80	<a href="#">VKG-080-SS-ACT</a>	316 stainless steel, resilient seat, Lug T/D, double acting knife gate valve
100	<a href="#">VKG-100-SS-ACT</a>	316 stainless steel, resilient seat, Lug T/D, double acting knife gate valve
125	<a href="#">VKG-125-SS-ACT</a>	316 stainless steel, resilient seat, Lug T/D, double acting knife gate valve
150	<a href="#">VKG-150-SS-ACT</a>	316 stainless steel, resilient seat, Lug T/D, double acting knife gate valve
200	<a href="#">VKG-200-SS-ACT</a>	316 stainless steel, resilient seat, Lug T/D, double acting knife gate valve
250	<a href="#">VKG-250-SS-ACT</a>	316 stainless steel, resilient seat, Lug T/D, double acting knife gate valve
300	<a href="#">VKG-300-SS-ACT</a>	316 stainless steel, resilient seat, Lug T/D, double acting knife gate valve



Number	Part	Material
1	Body	CF8M
2	Seat	PTFE
3	Seat cover	CF8M
4	Gate	SS316
5	Bolt	A4-70
6	Packing	PTFE+SI
7	Bolt	A4-70
8	Glang Follower	CF8M
9	Pin	F304
10	Piston rod	45+Cr
11	Support plates	SS304
12	Steel block	WCB
13	Cylinder	Combination

DN	L	ød	øD1	D2	N-M	H
100	51	105	178	154	4-M16	610
150	57	158	235	211	8-M16	760
200	70	210	292	266	8-M16	950
250	70	260	356	319	8-M20	1135

Product Group: VC05

**Dixon**  
 1300 134 651  
 customerservice@dixonvalve.com.au  
 dixonvalve.com.au