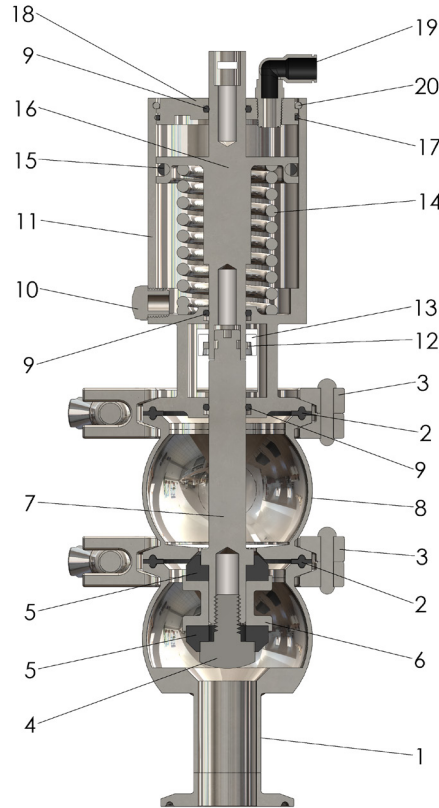




Dixon Sanitary SV-Series Single Seat Hygienic Valves

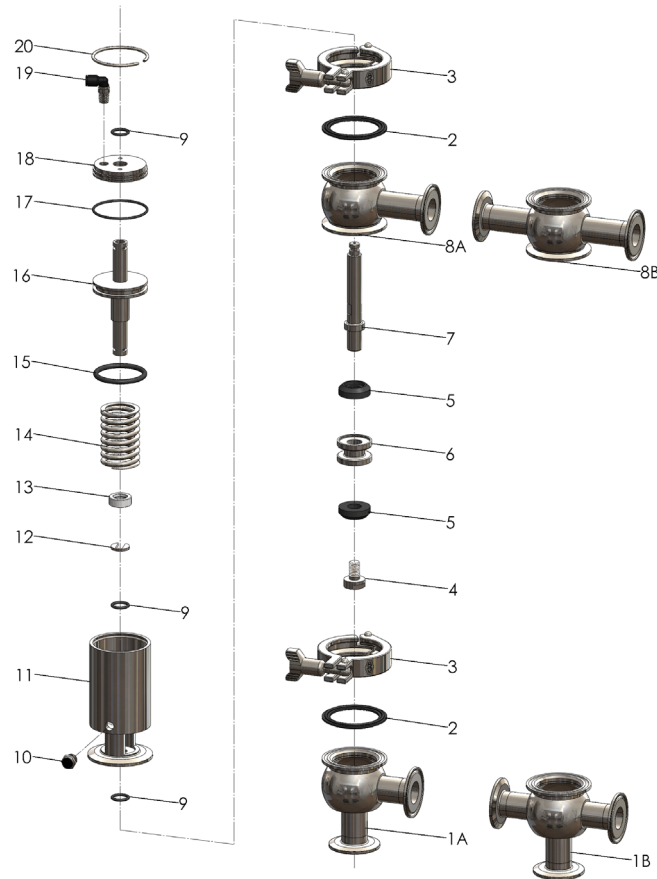
SV-Series 1" Double Body Valve - Air to Lower



Bill of Materials

Item No.	Qty	Description	Part #
1A	1	Lower Body "L"	SV-LBLC100
1B	1	Lower Body "T"	SV-LBTC100
2	2	Gasket	40MP-E200
3	2	Clamp	13MHM200SN
4	1	Seat Bolt	SV-SB100
5	2	Seat Seal	SV-KE100
6	1	Stem Gland	SV-SG100
7	1	Long Pneumatic Stem	SV-SLPR100
8A	1	Upper Body "L"	SV-UBLC100
8B	1	Upper Body "T"	SV-UBTC100
9	3	Stem O-Ring	SV-OTE100
10	1	Air Filter	SV-AF100400
11	1	Actuator Cylinder	SV-AC100
12	1	Actuator U-Clip	SV-AU100
13	1	Actuator Ring	SV-AR100
14	1	Actuator Spring	SV-AS100
15	1	Piston O-Ring	SV-OPE100
16	1	Actuator Piston	SV-AP100
17	1	Cover O-Ring	SV-OCE100
18	1	Actuator Cover	SV-AD100
19	1	Air Fitting	31095611
20	1	Actuator Wire	SV-AW100

SV-Series 1" Double Body Valve - Air to Lower



Bill of Materials

Item No.	Qty	Description	Part #
1A	1	Lower Body "L"	SV-LBLC100
1B	1	Lower Body "T"	SV-LBTC100
2	2	Gasket	40MP-E200
3	2	Clamp	13MHM200SN
4	1	Seat Bolt	SV-SB100
5	2	Seat Seal	SV-KE100
6	1	Stem Gland	SV-SG100
7	1	Long Pneumatic Stem	SV-SLPR100
8A	1	Upper Body "L"	SV-UBLC100
8B	1	Upper Body "T"	SV-UBTC100
9	3	Stem O-Ring	SV-OTE100
10	1	Air Filter	SV-AF100400
11	1	Actuator Cylinder	SV-AC100
12	1	Actuator U-Clip	SV-AU100
13	1	Actuator Ring	SV-AR100
14	1	Actuator Spring	SV-AS100
15	1	Piston O-Ring	SV-OPE100
16	1	Actuator Piston	SV-AP100
17	1	Cover O-Ring	SV-OCE100
18	1	Actuator Cover	SV-AD100
19	1	Air Fitting	31095611
20	1	Actuator Wire	SV-AW100

Dixon Sanitary

N25 W23040 Paul Road • Pewaukee, WI 53072
 ph: 800.789.1718 • 262.513.6900 • fx: 800.789.4046 • 262.513.4904
dixonvalve.com