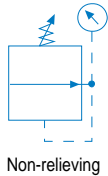
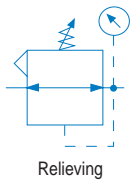


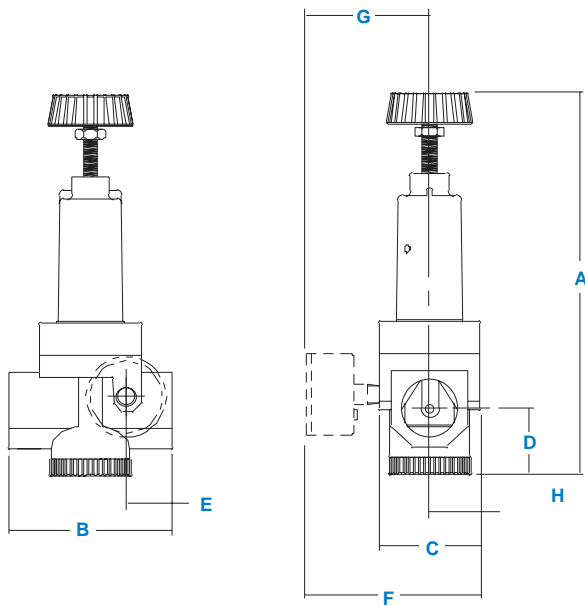
Regulator R30



R30-06-000

Features

- Balanced valve design.
- Standard self-relieving.
- Two 1/4 NPT/BSPT-Rc gauge ports standard—can be used for additional outlet ports.
- Piston operated.
- High flow capacity.



Specifications

Flow Capacity*	3/4	481 scfm (227 dm ³ /s)
	1	500 scfm (236 dm ³ /s)
	1 1/4	800 scfm (377 dm ³ /s)

Maximum Operating Temperature	175°F (79°C)
-------------------------------	--------------

Maximum Supply Pressure	300 psig (21 bar)
-------------------------	-------------------

Adjusting Range Pressure	0-125 psig (0-8,5 bar) 0-180 psig (0-12,3 bar)
--------------------------	---

Port Size	NPT/BSPP-G	3/4, 1, 1 1/4
-----------	------------	---------------

Gauge Port (2 ea.)	NPT/BSPT-Rc	1/4
--------------------	-------------	-----

Weight	lb. (kg)	6 (2,7)
--------	----------	---------

*Inlet pressure 100 psig (7 bar). Secondary pressure 80 psig (5,5 bar).

Materials of Construction

Body	Zinc
------	------

Bonnet	Zinc
--------	------

Piston	Zinc
--------	------

Valve Assembly	Brass/Nitrile/Steel
----------------	---------------------

Springs	Steel
---------	-------

Seals	Nitrile
-------	---------

Dimensions

Models	Inches mm	A	B	C	D	E	F	G	H
Standard Unit R30-XX-000		10.3 262	4.3 109	2.62 66.5	1.7 43	1.23 31.2	— —	— —	1.31 33.3
With Gauge R30-XX-G00		10.3 262	4.3 109	2.62 66.5	1.7 43	1.23 31.2	4.3 109	2.99 76	1.31 33.3

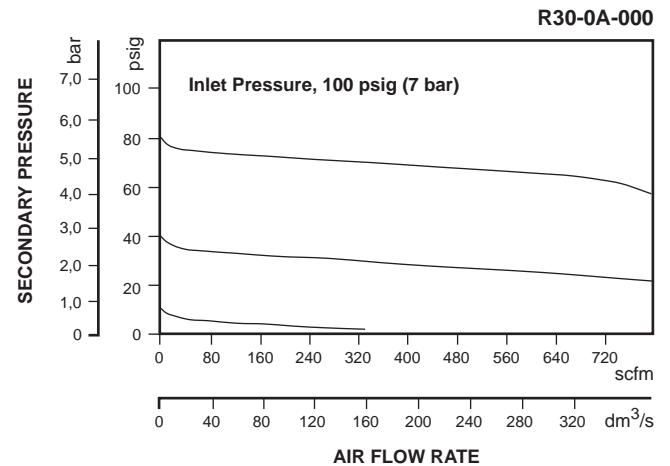
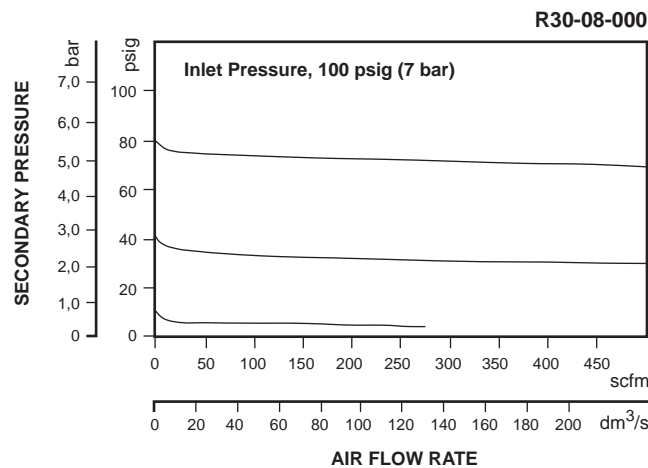
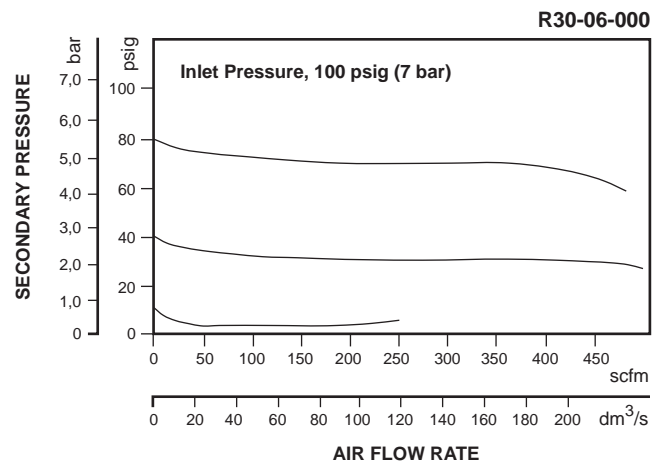
For best performance, regulated pressure should always be set by increasing the pressure up to the desired setting.

Replacement Kits

Piston Assembly—Non-relieving	RRP-95-451
Spring, Regulating, 0-125 psig (0-8,6 bar)	RRP-95-226
Spring, Regulating, 0-180 psig (0-12.4 bar)	RRP-95-220
Valve Assembly—Valve, Valve Spring	
Bottom Plug O-ring.....	RRP-95-159

Accessories

Wall Mounting Bracket, Gauge Port Adapter	
1/4" NPT	RRP-95-590
Wall Mounting Bracket, U-Bolt Pipe Clamp.....	GRP-95-734
Gauge, Pressure, 0-160 psig (0-11 bar)	
2" Dial Face, 1/4" NPT, CBM	GRP-95-229
Gauge, Pressure, 0-300 psig (0-20 bar)	
2" Dial Face, 1/4" NPT, CBM.....	RRP-95-231



Ordering Information

Model Type	Port Size	Standard Pressure	High Pressure
		10-125 psig (0,7-8,5 bar)	10-180 psig (0,7-12,5 bar)
Relieving	3/4	R30-06-000	R30-06-H00
	1	R30-08-000	R30-08-H00
	1 1/4	R30-0A-000	R30-0A-H00
Non-relieving	3/4	R30-06-N00	R30-06-HN0
	1	R30-08-N00	R30-08-HN0
	1 1/4	R30-0A-N00	R30-0A-HN0